

LITHIUM-ION BATTERY DATASHEET

AVAILABLE IN:

105 Ah
12V

Group 27 Battery
Drop-in Replacement

Optional Heater
(881-0180-12)



MORE POWER IN LESS SPACE

The Xantrex Lithium-Iron Iron Phosphate (LiFePO₄) Battery uses UL2580/UL1642¹ certified cells. Equipped with redundant safety features, the Xantrex Lithium-Iron Battery is the safest in the market today. Specifically designed to withstand the harsh operating environments of marine and vehicle applications, the Xantrex Lithium-Iron Battery lasts up to 6,000 cycles² compared to a traditional lead acid or AGM battery, which typically lasts 400–500 cycles. The 105Ah battery is IP65 rated as well as tested to UL 458 vibration for marine applications. The ability to stack 4 batteries in parallel allows for creating a larger Ah system when there is no single space large enough for the larger Ah batteries. The Xantrex Lithium-Iron battery offers exceptional power density and is also available with a heating blanket option if installation is outside the main cabin.

- ★ Internal BMS - reduces footprint
- 📊 Cell Balancing - extends lifetime of battery
- 🔌 LED's to monitor State of Charge
- 📱 Remote Panel - view status of battery, turn battery on and off
- 📱 Connect to the Xantrex mobile app to view status of battery
- 📱 Parallel stack up to 4 batteries

APPLICATIONS:

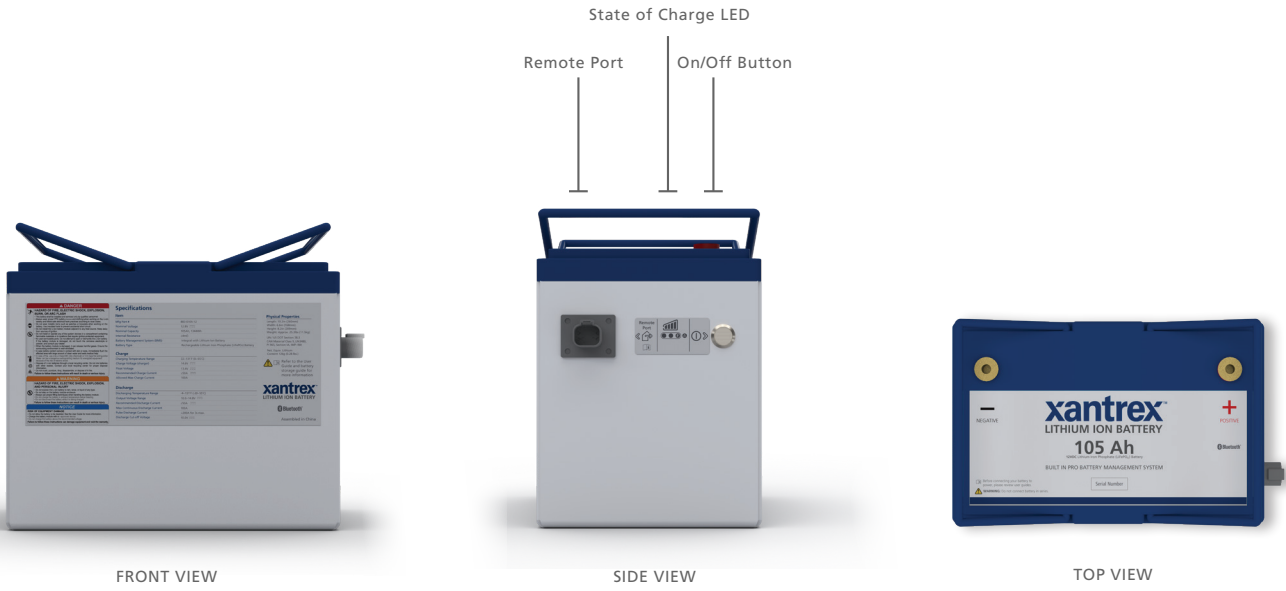


**10 YEAR
WARRANTY³**

¹(File MH63503 or MH62190; Model LF105)

²Up to 6,000 cycles under ideal conditions

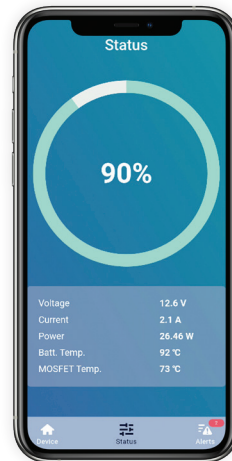
³Refer to our warranty policy document for full warranty details



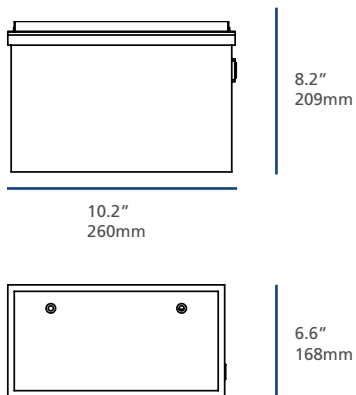
AVAILABLE NOW
XANTREX APP

- Connect via smartphone
- Monitor battery

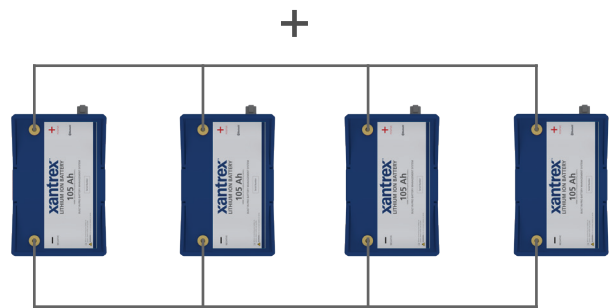
DOWNLOAD ON



12V 105AH DIMENSIONS



PARALLEL STACK UP TO 4 BATTERIES



MAXIMUM 36VDC SERIES STACK IN SPECIFIC APPLICATIONS

BATTERY SPECIFICATIONS

Part Number	883-0105-12
Battery Voltage	12V
Nominal True Capacity	105Ah
Nominal Voltage	12.8 Volts
Nominal Watt Hours	1344Wh
Internal Impedence	<5mΩ
Charge Voltage	14.6V
Recommended Float Charge Voltage	13.6V
Recommended Charge Current	≤50A
Allowed Max Charge Current	100A
Output Voltage Range	10.0 – 14.6V
Recommended Discharge Current	≤50A
Max Continuous Discharge Current	100A
Pulse Discharge Current	200A (3s)
Discharge Cut-off Voltage	10V
Cycle Life to 80% Health	2800 (0.5C, 25°C, 100% Depth of Discharge) - increased cycle life with ideal conditions

ENVIRONMENTAL

Charging Temperature Range	32 – 131°F (0 – 55°C)
Discharging Temperature Range	-4 – 131°F (-20 – 55°C)
Storage Period 1 Week	-4 – 113°F (-20 – 45°C)
Storage Period 1 Month	14 – 113°F (-10 – 45°C)
Storage Period 6 Months	50 – 77°F (10 – 25°C)

MECHANICAL

Dimensions	10.2" x 6.6" x 8.2" (260mm x 168mm x 209mm) G27
Weight	25.4lbs (11.5kg)
Battery Terminals	M8 x 1.25
Carrying Capability	Two Foldout Handles
Mounting Orientation	Horizontal or Vertical

CERTIFICATION

U.N. International Approval	UN/DOT 38.3 Lithium Ion
UL2580 Certified Cells	File MH63503; Model LF105
UL1642 Certified Cells	File MH62190; Model LF105