

## XPLORE 120/12 CHARGER DATASHEET



AVAILABLE IN:  
12V   
**120A**

### ALL CHARGING NEEDS IN ONE CHARGER

The XPLORE 120/12 Battery Charger is the largest and most powerful charger in the market today. The universal, auto-ranging AC input and 120 amps of output current ensures ultra-fast and reliable worldwide charging. With up to six output banks of simultaneous charging combined with the ability to charge two battery banks with differing chemistries, the XPLORE 120/12 eliminates the need to have separate single-chemistry chargers and minimizes installation and wiring costs for your house bank and engine bank.

It is also equipped with an easy-to-read front panel LED display for basic configuration and status information. Advanced monitoring and configuration is enabled by NMEA 2000 protocol or Xantrex app using the Xantrex BLE module.

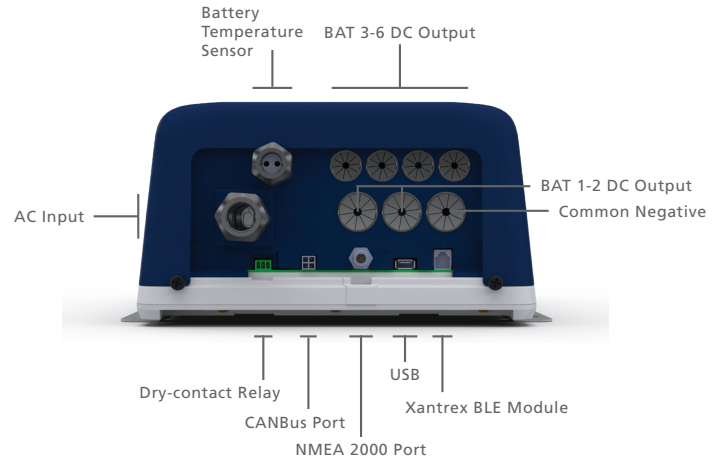
-  Six battery bank charging
-  Dual battery chemistry charging
-  Designed to charge lithium batteries
-  Ability to charge dead batteries down to 0V
-  NMEA 2000 monitoring and configuration
-  Xantrex App monitoring and configuration

#### APPLICATIONS:





TOP VIEW



BOTTOM VIEW

## PRODUCT FEATURES

### 6 Battery Banks and Dual-Chemistry Charging

- Simplifies system design by replacing multiple single-chemistry chargers with a single dual-chemistry charger to charge house banks and engine banks of differing chemistries.

### Xantrex Lithium and Custom Battery Charging

- Selectable battery type pre-set optimized for Xantrex Lithium-Ion Batteries or configure a custom battery setting.

### NMEA 2000 Connectivity

- Allows for real-time monitoring and configuration via multi-functional displays by leading marine multiplex manufacturers.

### Xantrex App Connectivity

- Allows for real-time monitoring and configuration via the Xantrex mobile app using the Xantrex BLE module.

### Power Share

- Automatically reduces charging output to prevent nuisance tripping of the AC input breaker.

### Quiet Mode

- When enabled, the internal fan is turned off and the charger operates at a reduced output when quietness is needed.

### Storage Mode

- Automatically refreshes your batteries once every several days of non-use to ensure optimal battery condition.

## PAIR WITH XANTREX LITHIUM-ION BATTERIES

OPTIMALLY CHARGED WITH THE XPLORE 120/12



12V 105Ah XANTREX  
LITHIUM-ION BATTERY  
(883-0105-12)



12V 125Ah XANTREX  
LITHIUM-ION BATTERY  
(883-0125-12)



12V 240Ah XANTREX  
LITHIUM-ION BATTERY  
(883-0240-12)

## ELECTRICAL SPECIFICATIONS

XPLORE 120/12	
Max Total BAT1-6 DC Output Current	120A
Max Total BAT1-2 DC Output Current	10 to 120A (selectable)
Max Total BAT3-6 DC Output Current	10 to 40A (selectable)
DC Output Voltage	12Vdc (nominal)
DC Output Connections	6
AC Input Voltage (Auto Ranging)	120Vac / 230Vac (nominal), 80 to 275Vac 60Hz / 50Hz (nominal), 45 to 65Hz
AC Input Current	19.6Aac (maximum)
Power Factor at Full Charge Rate	> 98%
Charging Modes	3-Stage, 2-Stage, Constant Voltage
Supported Battery Types	AGM, FLD, GEL, Xantrex LFP, Custom
Equalization (FLD Battery Only)	Yes

## GENERAL SPECIFICATIONS

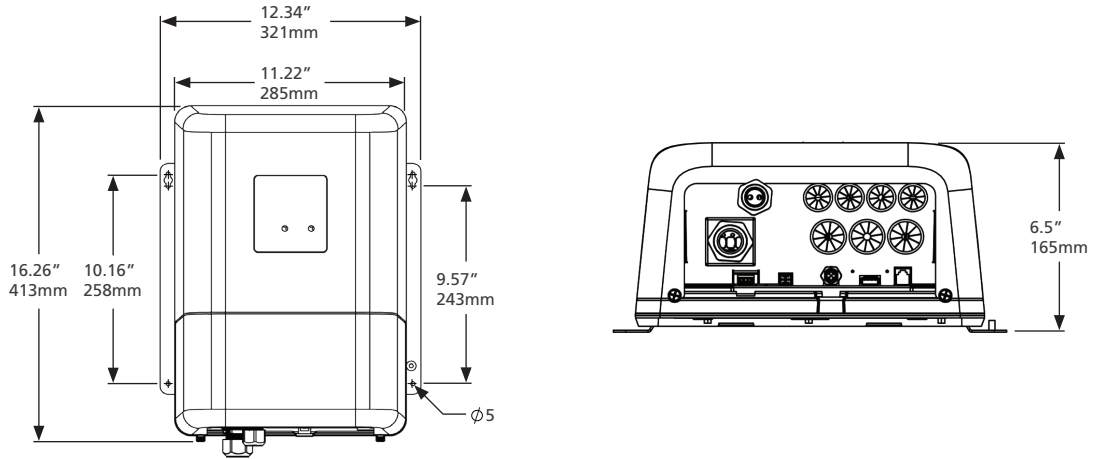
XPLORE 120/12	
Operating Temperature	4 to 140°F (-20 to 60°C), with output derated above 122°F (50°C)
Storage Temperature	-40 to 176°F (-40 to 80°C)
Operating Humidity	5 to 95% RH, non-condensing
AC Input Terminal Connection	3-position tool-free spring clamp terminal
DC Output Terminal Connection	BAT1-2: Two M6 stud terminals BAT3-6: Four M5 stud terminals Negative: One M6 stud terminal
Part Number	819-0120-12
Dimensions (L x W x H)	Charger: 16.26" (413mm) x 12.34" (312mm) x 6.5" (165mm) Xantrex BLE Module: 3.0" (75mm) x 2.0" (50mm) x 1.0" (24mm) 25' (7.6m) cable length
Net Weight	Charger: 16.3 lbs (7.4kg)
Ingress Protection (IP) Rating	Charger: IP-32 (vertical)

## REGULATORY APPROVALS

XPLORE 120/12	
Safety	NRTL listed to CSA C22.2 No. 107.2, conforms to UL Std. UL1236 (with Marine Supplement) and UL1564, ABYC E-11, A-31
EMC	47 CFR (FCC) Part 15B, Class B, ISED, and CAN ICES-3(B) / NMB-3(B)
Ignition Protection	SAE J1171, ABYC C-1500

Specifications are subject to change without notice.

### XPLORE 120/12 CHARGER DIMENSIONS



### ACCESSORIES

Mfg Part #	Description
808-0232-01	BTS (battery temperature sensor)

NOTE: Contact Xantrex or your dealer to order these accessories.