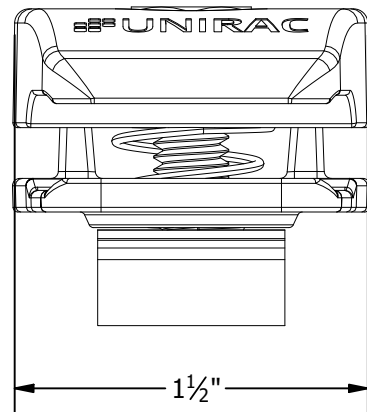
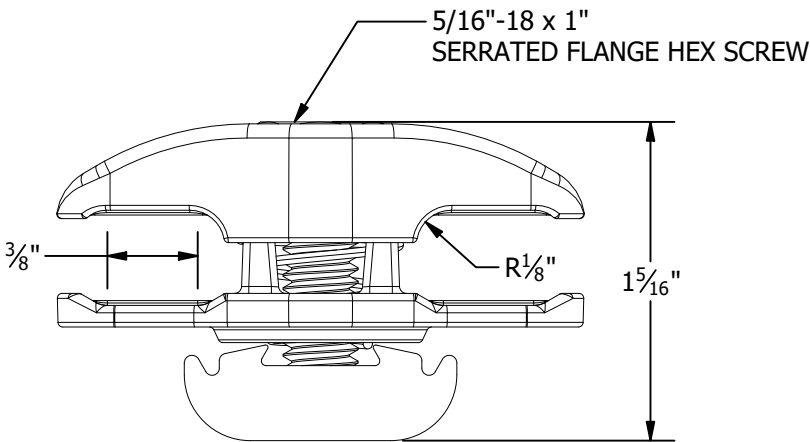
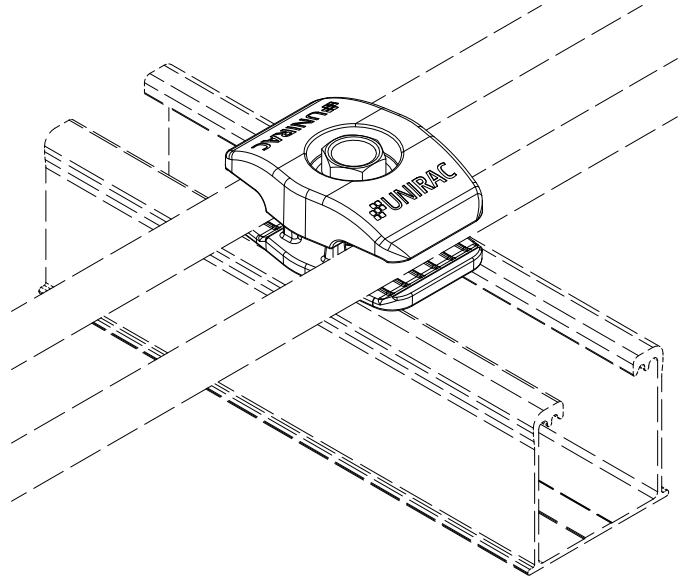
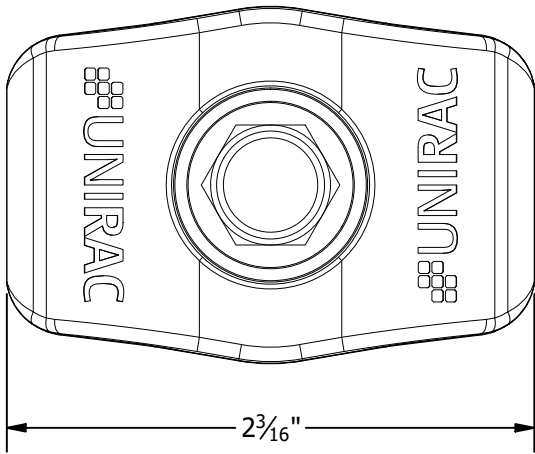


PART # TABLE	
P/N	DESCRIPTION
WRMCNSD1	NXT HORIZON NS WIRE MGMT CLIP



PRODUCT LINE:	NXT HORIZON
DRAWING TYPE:	PARTS ASSEMBLY
DESCRIPTION:	NS WIRE MGMT CLIP
REVISION DATE:	9/22/2021

DRAWING NOT TO SCALE
ALL DIMENSIONS ARE
NOMINAL

PRODUCT PROTECTED BY
ONE OR MORE US PATENTS
LEGAL NOTICE

NH-A07

SHEET