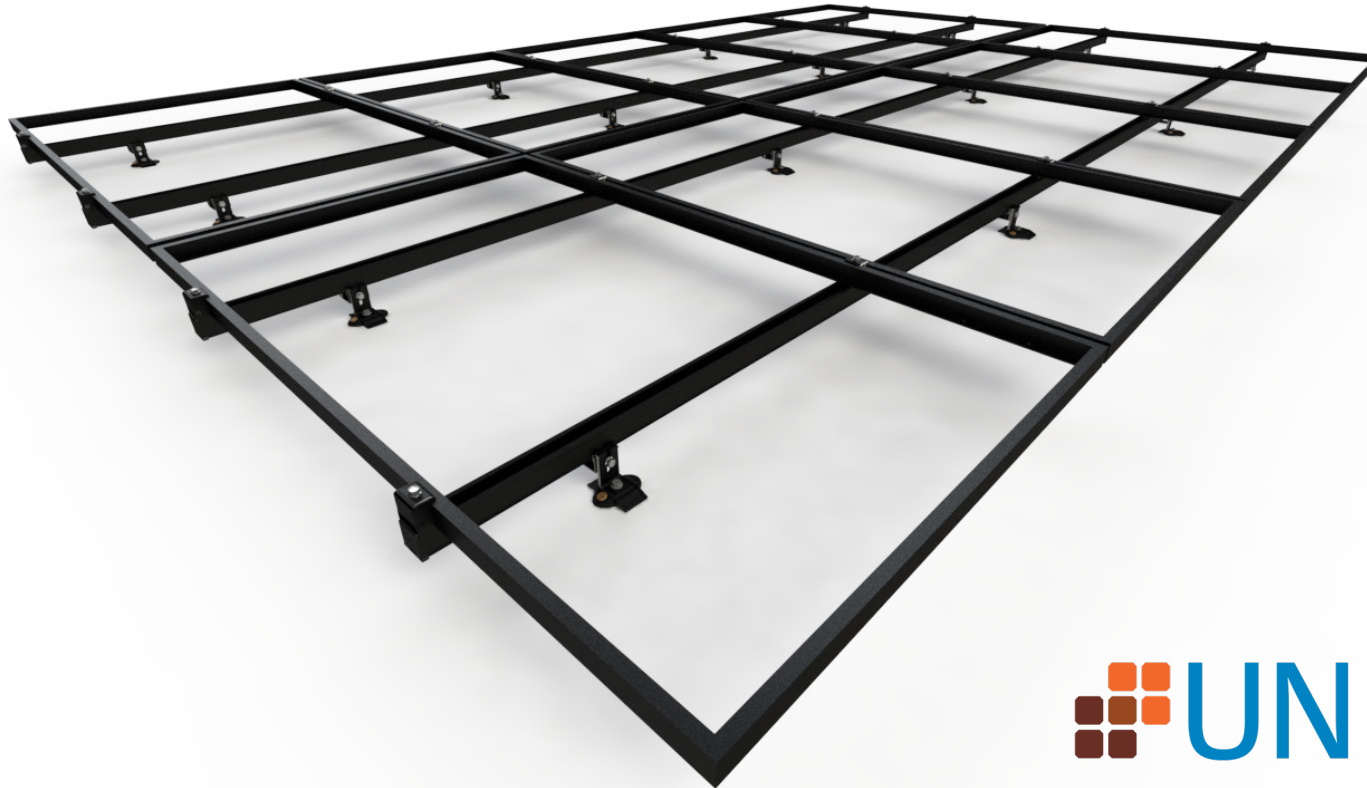




NXT UMOUNT[™] INSTALLATION GUIDE



UNIRAC Code-Compliant Installation Manual

© 2023 by Unirac, Inc. All rights reserved.

PUB2023NOV10

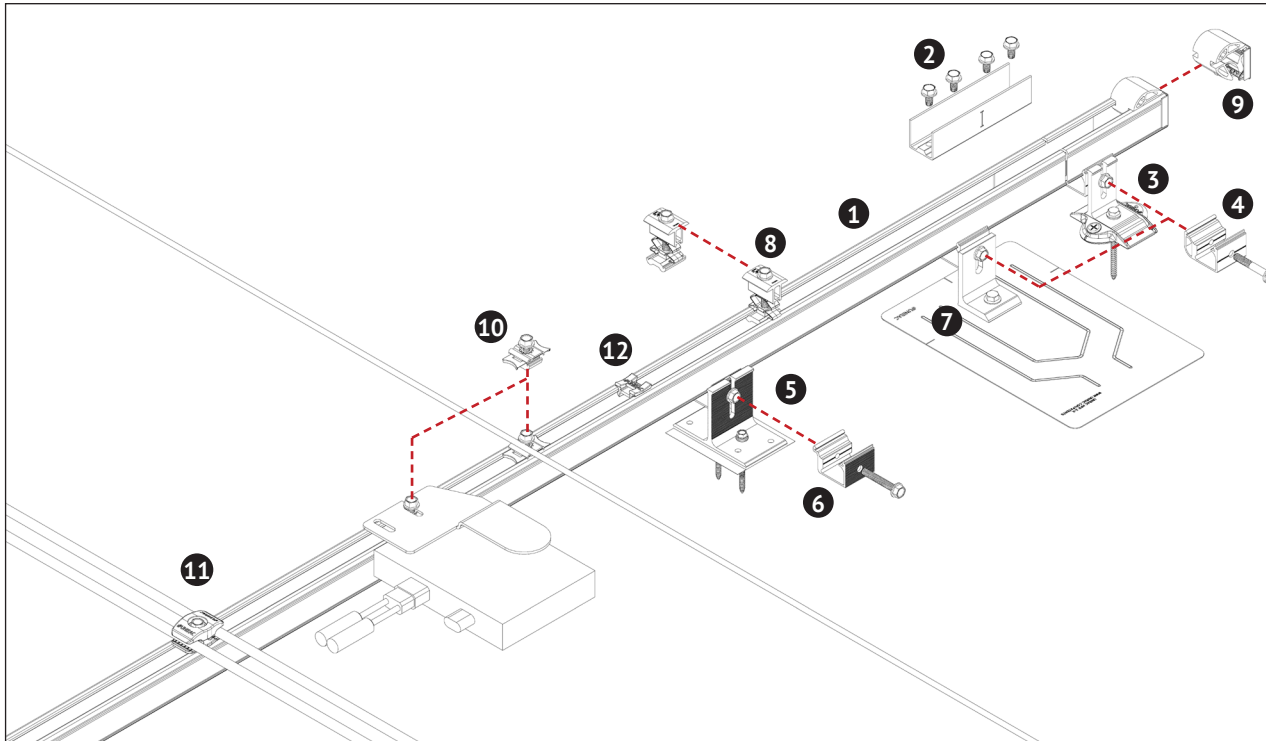


NXT UMOUNT™

INSTALLATION GUIDE

TABLE OF CONTENTS

NXT SYSTEM COMPONENTS.....	1-3
SYSTEM LAYOUT.....	4
THERMAL BREAK.....	5
STRONGHOLD ATTACHMENT WITH BUTYL INSTALLATION.....	6-9
ROOF PREPARATION FOR LAG BOLT INSTALLATION.....	10
STRONGHOLD ATTACHMENT INSTALLATION.....	11
FLASHKIT PRO INSTALLATION.....	12
ATTACHMENT ORIENTATIONS.....	13-14
RAIL INSTALLATION.....	15
STRUCTURAL SPLICE.....	16
SYSTEM GROUNDING.....	17
MLPE MOUNTING.....	18
WIRE MANAGEMENT.....	19
COMBO CLAMP INSTALLATION.....	20
HIDDEN END CLAMP.....	21
FINISHING TOUCHES.....	22
BONDING CONNECTIONS & GROUNDING PATHS.....	23-26
MECHANICAL LOAD TEST.....	27
COMPATIBLE MODULES.....	28-31
APPENDIX A: S-5! COMPONENTS INSTALLATION.....	32-34



- 1 **RAIL:** Supports PV modules with built-in wire management. Use at least two rails per row of modules. Aluminum extrusion, available in mill, or dark anodized.
- 2 **RAIL SPLICE:** Internal Structural Splice joins, aligns, and electrically bonds rail sections into single length of rail. 6 inches long aluminum splice, pre-assembled with stainless-steel hardware.
- 3 **STRONGHOLD ATTACHMENT KIT:** Use to secure rails through roofing material to building structure. Supplied with the following:
 - **STRONGHOLD RAIL CLAMP:** Use to secure rails to L-feet. Pre-assembled aluminum clamp with stainless-steel bolt.
 - **STRONGHOLD Attachment Base:** Pre-assembled aluminum L-Foot with engineered roof seal.
 - **4" STAINLESS-STEEL LAG BOLT** with sealing EPDM washer.
 - **UNIRAC PROVIDED SEALANT** (if applicable)
- 4 **STRONGHOLD RAIL CLAMP:** Use to secure rails to roof attachments. It is also available without the attachment kit for use with other mounting methods (Solarhooks, tilt legs, etc.)

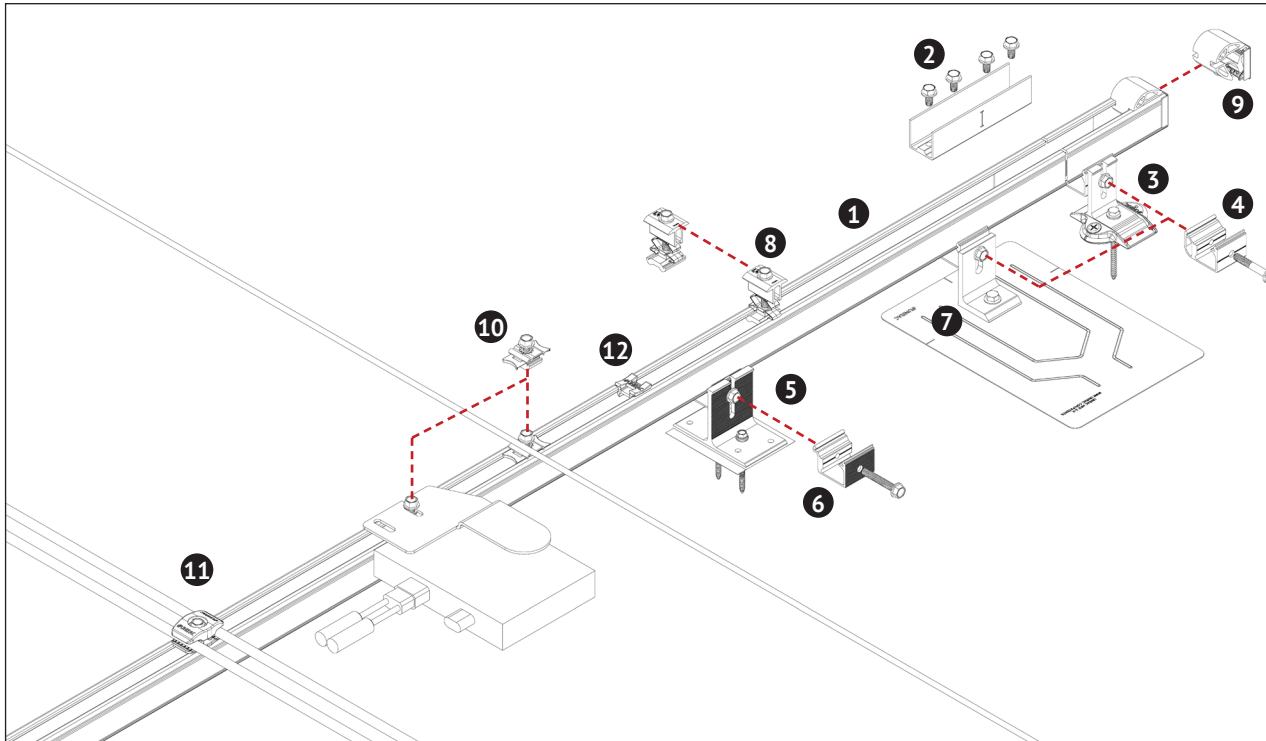
- 5 **STRONGHOLD BUTYL ATTACHMENT KIT:** Use to secure rails through roofing material to building structure. Supplied with the following:
 - **STRONGHOLD RAIL CLAMP FOR BUTYL ATTACHMENT:** Use to secure rails to L-feet. Pre-assembled aluminum clamp with stainless steel bolt.
 - **STRONGHOLD ATTACHMENT WITH BUTYL BASE:** Pre-assembled aluminum attachment with butyl pad.
 - (2) 3" Screw, HWH, SS, #14-14, TYPE AB, W/#14 EPDM washer;
- 6 **STRONGHOLD RAIL CLAMP FOR BUTYL ATTACHMENT:** Use to secure rails to roof attachment. It is also available without the attachment kit for use with other mounting methods (Solarhooks, tilt legs, etc.)



Any components showing signs of damage that compromise safety shall be replaced immediately.

NOTE:

- Extra butyl pad available as separate SKU
- Additional deck screws are available as separate SKU



- 7 FLASHKIT PRO:** Use with Stronghold Rail Clamp to secure rail through roofing material to building structure. Aluminum L-foot with EPDM grommet, aluminum flashing, and stainless-steel lag bolt
- 8 COMBO CLAMP:** Use as a mid clamp or an end clamp to secure and electrically bond modules to rails. Aluminum clamp with stainless-steel bonding pins, stainless-steel hex bolt, and plastic spring clip. Available in clear or dark finish.
- 9 HIDDEN END CLAMP KIT:** Used as an end clamp to secure the modules to rails. The aluminum clamp is assembled with a stainless steel hex bolt, and a plastic end cap using a twist tie.
- 10 MLPE AND LUG CLAMP:** Use to secure MLPE devices or ground wires to rails. Pre-assembled clamp with stainless-steel bolt, stainless-steel grounding plate, and plastic retention clip.
- 11 NS WIRE MANAGEMENT CLIP:** Pre-assembled clamp to secure wires between rails.
- 12 WIRE MANAGEMENT CLIP:** Tool-less snap-in rail clip used to retain wires in rail or to secure wires between rails when used with a wire tie.

Wrenches and Torque

Component	Wrench or Socket Size	Recommended Torque (ft-lbs.)
Rail Splice 2	1/2"	15
Stronghold Rail Clamp 4	1/2"	20
Stronghold Rail Clamp For Butyl Kit 6	1/2"	20
Combo Mid-End Clamp 8	1/2"	15
Hidden End Clamp 9	1/2"	15
MLPE and Lug Clamp 10	1/2"	12
NS Wire Management Clip 11	1/2"	3-7
Stronghold Attachment #14 Screw	3/8"	#N/A



Any components showing signs of damage that compromise safety shall be replaced immediately.

PART	DESCRIPTION	PART NUMBER
RAIL	NXT UMOUNT RAIL - 168" MILL	168RLM1
	NXT UMOUNT RAIL - 168" DARK	168RLD1
RAIL SPLICE	NXT UMOUNT RAIL SPLICE	RLSPLCM2
STRONGHOLD ATTACHMENT KIT	STRONGHOLD ATT KIT COMP MILL	SHCPKTM1
	STRONGHOLD ATT KIT COMP DRK	SHCPKTD1
STRONGHOLD RAIL CLAMP	STRONGHOLD RAIL CLAMP MILL	SHCLMPM1
	STRONGHOLD RAIL CLAMP DRK	SHCLMPD1
STRONGHOLD BUTYL ATTACHMENT KIT	STRONGHOLD BUTYL ATT KIT #14S MILL	SHBUTYLM2
	STRONGHOLD BUTYL ATT KIT #14S DARK	SHBUTYLD2
FLASHKIT PRO	FLASHKIT PRO, DRK 10PK	004055D
	FLASHKIT PRO, MILL 10PK	004055M
COMBO CLAMP	NXT UMOUNT COMBO CLAMP - MILL	CCLAMPM1
	NXT UMOUNT COMBO CLAMP - DARK	CCLAMPD1
HIDDEN END CLAMP KIT	NXT HIDDEN END CLAMP W/ CAP	NUHECLMP1
MLPE AND LUG CLAMP	NXT UMOUNT MLPE & LUG CLAMP	LUGMLPE1
NS WIRE MANAGEMENT CLIP	NXT UMOUNT NS WIRE MGMT CLIP	WRMCNSD1
WIRE MANAGEMENT CLIP	NXT UMOUNT WIRE MGMT CLIP	WRMCLPD1
N-S BONDING CLAMP	MODULE-TO-MODULE N-S BONDING CLAMP	008000U
WIRE BONDING CLIP W/ 8AWG	WIRE BONDING CLIP W/ 8AWG	008015S
EXTRA BUTYL PATCHES	EXTRA BUTYL PAD - SH, KIT	XTRABUTL-SH
DIRECT-TO-DECK SCREWS	#14-14 x 3.0 TYPE AB	003251W

PLANNING YOUR NXT UMount INSTALLATIONS

The installation can be laid out with rails parallel to the rafters or perpendicular to the rafters. Note that NXT UMount rails make excellent straight edges for doing layouts.

Center the installation area over the structural members as much as possible. Leave enough room to safely move around the array during installation. Some building codes and fire codes require minimum clearances around such installations, and the installer should check local building code requirements for compliance.

The length of the installation area is equal to:

- the total width of the modules,
- plus 1/2" for each space between modules (for mid-clamp),
- plus 2" minimum (1" minimum for each MODULE END) (This will not be included when we use the hidden end clamp.)

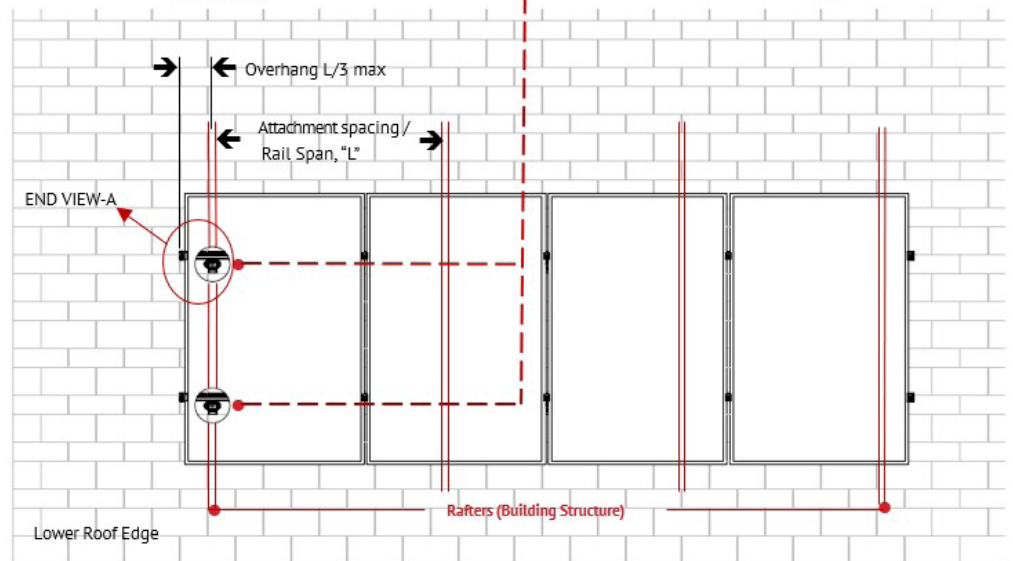
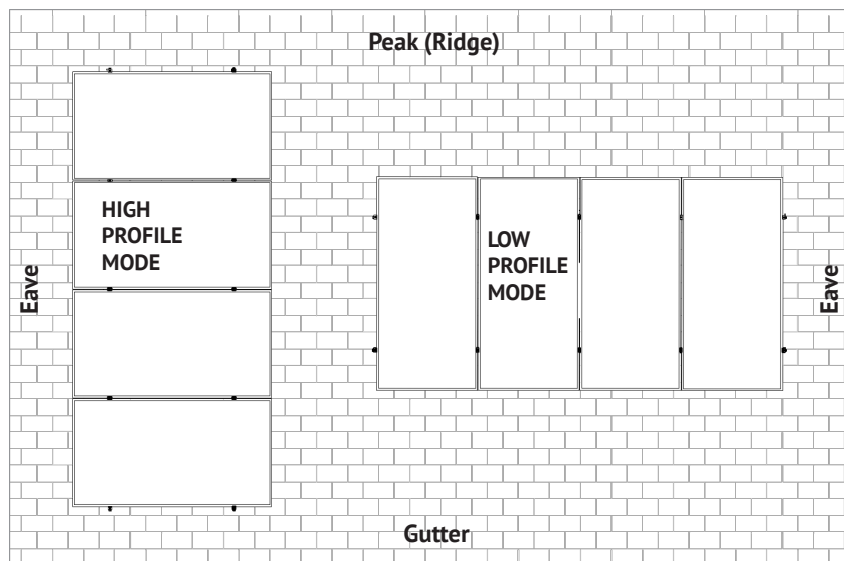
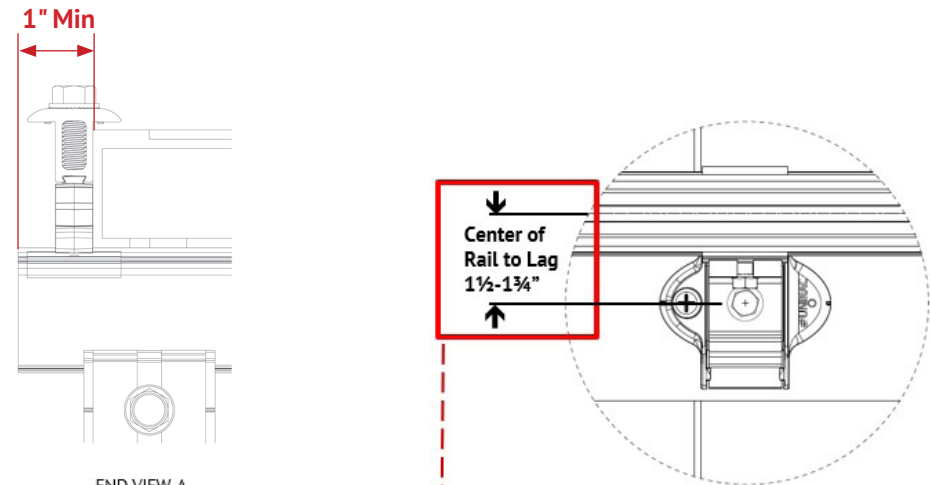
LAYING OUT ROOF ATTACHMENTS

Locate and mark the position of the roof attachment within the installation area. Refer to Unirac NXT UMount D&E Guide & U-Builder for rail spans and cantilevers. Follow module manufacturer installation requirements allowable spacing based on appropriate mounting locations. Modules should be placed such that they overhang the rails symmetrically.

NXT Rail Splices are fully structural and do not interfere with roof attachments or Combo Clamps. There is no need to determine splice locations at this stage.



Rail lengths and locations of L-feet for expansion joints will need to be determined at this stage in planning the array layout. For expansion joint requirements, See Page 5.

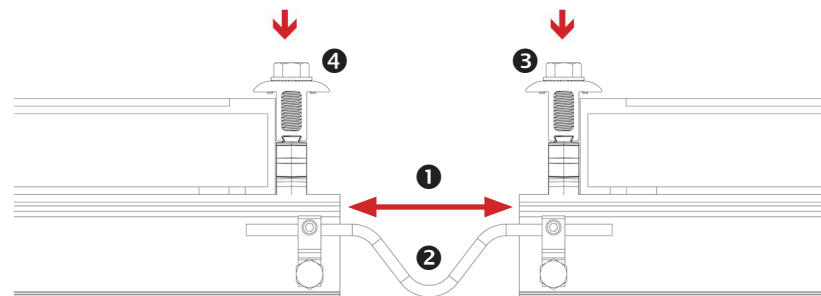


EXPANSION JOINT USED AS THERMAL BREAK

Expansion joints prevent buckling of rails or system connection failure due to thermal expansion. Determine location of expansion joints prior to installation of roof attachments and rails. To create a thermal expansion joint, provide a sufficient gap between rails for proper installation of end clamps and tooling to achieve required torque. A thermal break is required when a continuous length of spliced rails exceeds the maximum allowable lengths shown in the table to the right. For additional concerns on thermal breaks in your specific project, please consult a licensed structural engineer.

Rails in expansion joint configurations are considered cantilevered and must follow the cantilever rule on both sides of the expansion joint, which states that the maximum amount of rail that can be cantilevered is 1/3 the respective adjacent span. An expansion joint must not be spanned by a PV module. Installing a module over an expansion joint would defeat the goal of a thermal break and could result in damage to the array.

Bonding connection for splice used as a thermal break. Option shown uses two Ilco lugs (Model No. GBL-4DBT P/N GBL-4DBT - see product data sheet for more details) and solid copper wire. Optional grounding may be achieved through NXT UMOUNT MLPE & Lug Clamp. See Page 17.



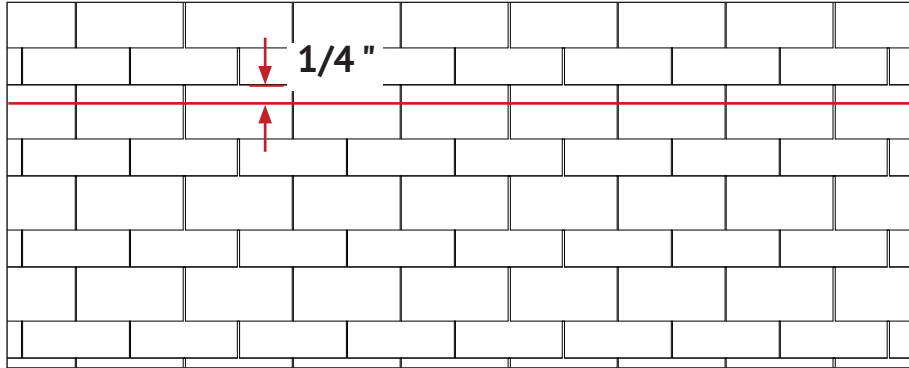
- 1 Provide a sufficient gap between rails for proper installation of end clamps and tooling
- 2 Connect rails with the bonding wire.
- 3, 4 Install end clamps. See Page 20.

ΔT (°F)	Maximum Continuous Length (ft.) of Spliced rails with Stronghold Attachments							
	FlashKit Attachment Span		Stronghold Attachment Span		Butyl Attachment W/#12 Screw		Butyl Attachment W/#14 Screw	
	48"	72"	48"	72"	48"	72"	48"	72"
0-40	100	126	92	114	76	90	84	102
40-50	92	114	84	102	68	78	68	90
50-60	84	102	76	90	60	78	68	78
60-70	76	90	68	78	52	66	60	66
70-80	68	90	60	78	52	60	52	66
80-90	68	78	60	66	44	54	52	60
90-100	60	78	52	64	44	48	52	54
100-120	60	66	52	53	40	40	44	45
120-140	52	57	44	45	34	34	36	39

The values displayed are the maximum allowed rail length, in feet, without a thermal break. If your span is less than 48", refer to the NXT UMOUNT Design & Engineering Guide for max lengths of continuous rail before a thermal break is required.

Determine the maximum rail temperature difference (ΔT) between the time of installation and the extreme high or low temperature. The Extreme Annual Design Conditions table at the following URL can be used as a reference when determining ΔT . <http://ashrae-meteo.info/>. The installer is responsible for determining the maximum temperature difference (ΔT) used to establish the maximum rail length.

As spans increase, so does the maximum reaction force that the rail exerts on the L-foot. Ensuring that the Maximum Reaction Forces do not exceed the shear capacity of the roof connection. See NXT UMOUNT Design & Engineering Guide for corresponding reaction forces.



MARK ARRAY LOCATION:

Clean roof surface of dirt, debris, snow, and ice. Mark array location and determine roof attachment locations based on array layout. Snap chalk lines to mark each row of roof attachment points. On shingle roofs, snap lines 1/4" below upslope edge of shingle course. Locate rafters and mark at intersection of attachment lines. Attachment spacing determined per Design and Engineering Guide or project specific U-Builder Engineering Report .

PRO TIP

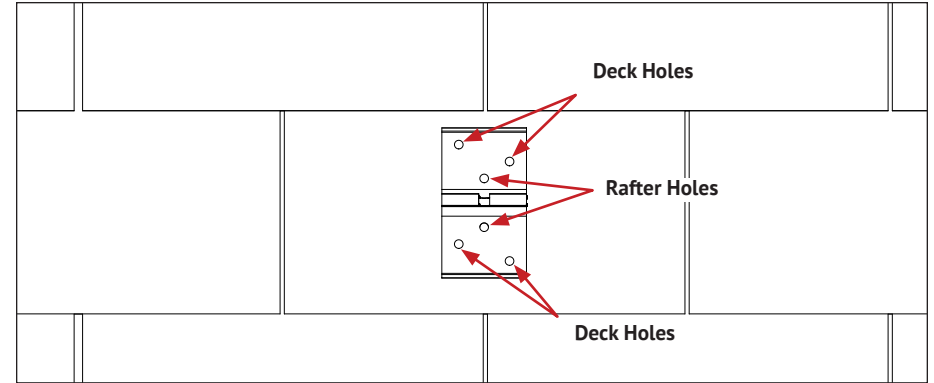
Install the attachment within 1/4" of the chalkline to allow the rail to slide freely in the rail clamp.

WARNING

- To maintain butyl flashing performance, Unirac does not recommend installing when ambient and/or roof temperatures are below 5°F or above 180°F.
- Stronghold Butyl must be installed on a clean, dry surface to ensure flashing integrity.

NOTE:

- Stronghold Butyl is designed for use on Asphalt Shingle, Rolled Comp, EPDM, TPO, Polyethylene, Polypropylene, ABS, and steel/painted roofs.
- Pilot holes are not necessary to be drilled for self-drilling screws. If holes are drilled to identify the rafter, they should be backfilled with sealant before installing the attachment.



PLACING STRONGHOLD ATTACHMENT WITH BUTYL BASE:

Identify the position of the attachment to install before peeling the release paper. Ensure that the attachment lands on a flat surface. If the surface at the location of the attachment is uneven, add butyl patches to flatten the surface.

Note:

- Use rafter holes to install attachment on the rafter.
- Use all six holes to install attachment on the deck.

CAUTION

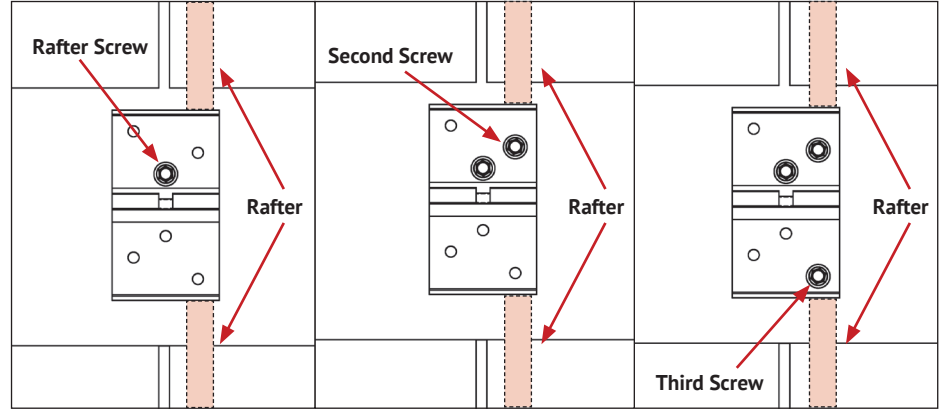
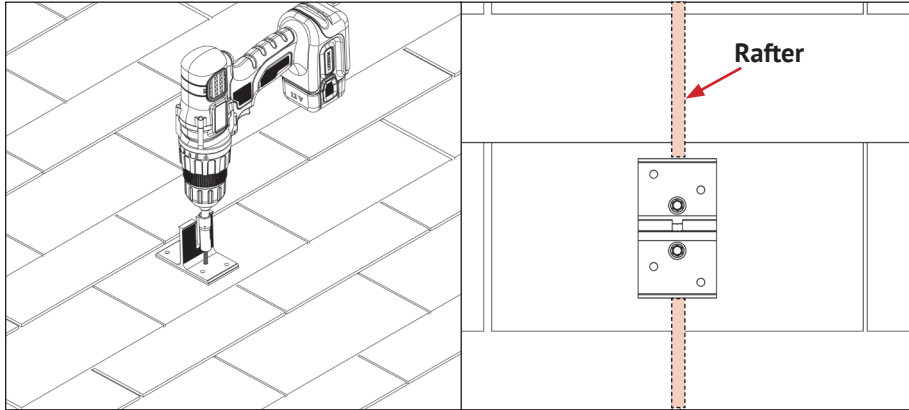
Do not peel the release paper from the butyl on attachment before identifying the position of attachment to install.

WARNING

Installing attachment on uneven surfaces, shingle gaps or overlaps, creates a risk for water leakage due to gap created between the adhesive and roof surface.

Note:

See Page 9 for instructions on placing extra butyl pads or contact Unirac team for further information.



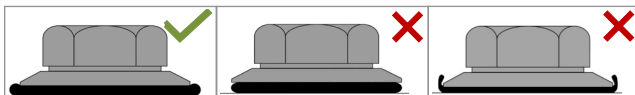
INSTALLING STRONGHOLD ATTACHMENT WITH BUTYL BASE TO RAFTER: Peel-off the release paper from the underside of the attachment and place stronghold attachment with butyl over rafter location and align edge of mount with horizontal chalk line. Secure mount with the two (2) provided rafter screws in the rafter holes of the attachment.

Note: Ensure to use drill extension or deep socket tool for installing rafter screws.

CAUTION

- To determine if the screw is engaging the rafter, there should be resistance to driving the screw through the entire length. If the screws do not properly engage the rafter, refer to the pro tip mentioned.
- It is recommended to begin installation with the screws on the upslope side of the attachment and continue installing the screws on the downslope side of the attachment for best fit.

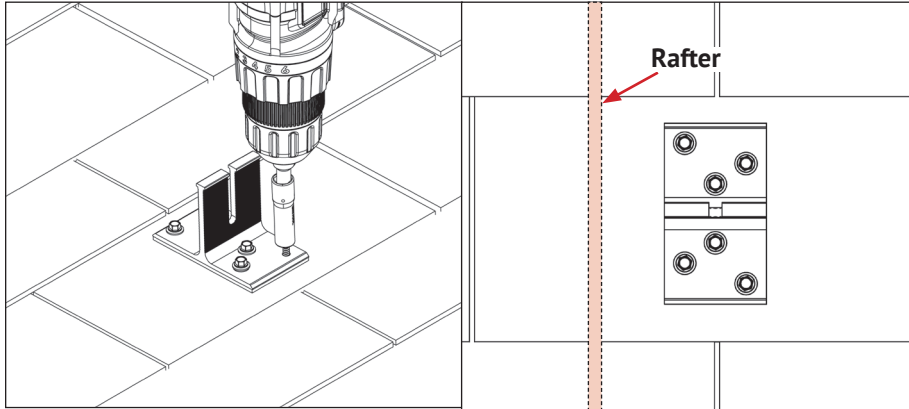
WARNING



Do not over-torque the structural screw. When proper torque is applied, the EPDM washer should slightly expand out from the sides as shown in the image.

PRO TIP: If you miss the rafter while driving the first screw and the rafter is on the edge of the attachment, then follow the steps below:

1. Install a second screw into the adjacent hole that is closest to the rafter center.
2. If the second screw hits the rafter, install the corresponding third screw and complete the installation.
3. If three or more screws miss the rafter, then follow the direct to deck installation procedure and reduce the attachment spans as per Unirac direct-to-deck recommended spans for roof attachment.



INSTALLING STRONGHOLD ATTACHMENT WITH BUTYL BASE TO DECK:

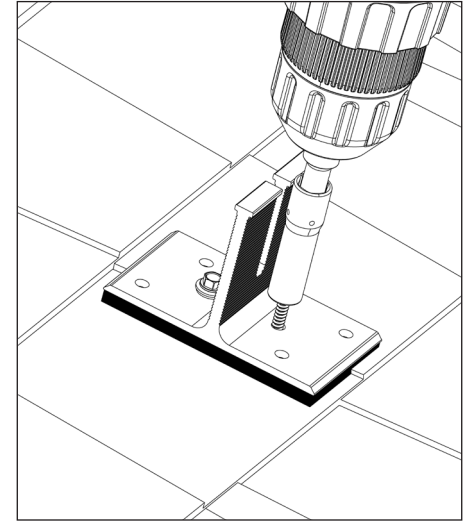
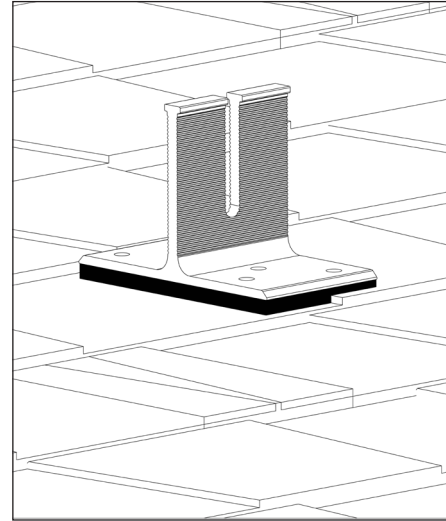
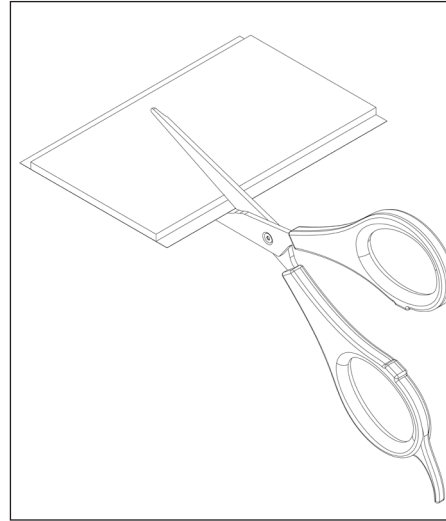
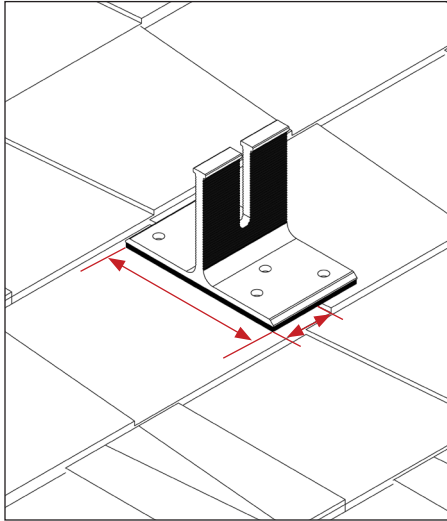
When installing the attachment to the decking instead of the rafter (direct-to-deck), install 4 additional screws on the remaining screw holes on the attachment

Note:

- Additional deck screws are NOT included in the KIT. Must be purchased separately.
- Maintain stock of additional deck screws from Unirac Kits in case of direct-to-deck installation.

CAUTION

1. Allowable attachment spans may change for direct-to-deck applications.
2. Unirac recommended spans are only valid with Unirac supplied screws.



INSTALLING STRONGHOLD DTD BUTYL ATTACHMENT OVER SHINGLE OVERLAP

If the attachment falls over a shingle overlap, level the surface by following below steps:

- Measure the attachment overhang.
- Cut the butyl pads to required size.
- Stack extra butyl pad layers as necessary to level the roof and place the attachment.
- Begin installation with the screws on the upslope side of the attachment and continue to install the screws on the downslope side of the attachment.

PRO TIP

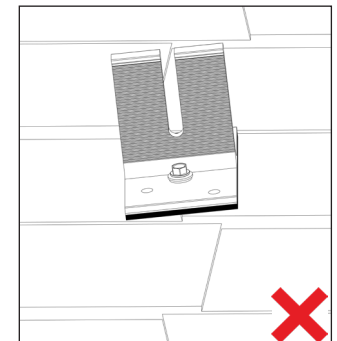
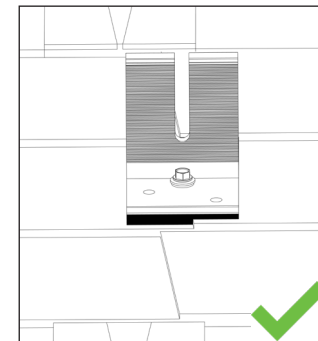
- If the attachments overlap from one shingle course to the next shingle course in a rail-based system, reposition the attachment by moving up or down the shingle course along the same rafter line to avoid butyl layering.
- Additional butyl layering is not required while installing attachment over a gap in the same shingle course

Note:

- Extra butyl pads are **NOT** included in the KIT.
- Pre-stock with extra butyl pads from Unirac Kits in case installation is required over overlap or gap.



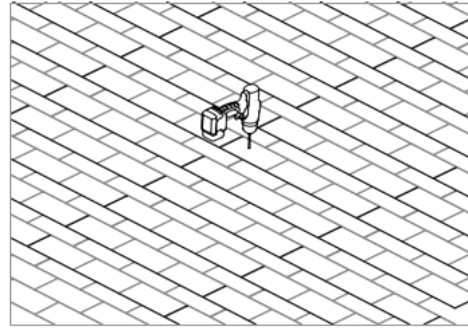
Installing attachment on uneven surfaces, shingle gaps or overlaps, creates a risk for water leakage and rail clamp misalignment due to gap created between the adhesive and roof surface.





MARK ARRAY LOCATION:

Mark array location and determine roof attachment locations based on array layout. Snap chalk lines to mark each row of roof attachment points. On shingle roofs, snap lines 1-3/4" below upslope edge of shingle course. Locate rafters and mark at intersection of attachment lines. Attachment spacing determined per Design and Engineering Guide or project specific U-Builder Engineering Report .



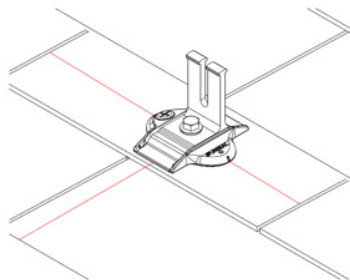
DRILL PILOT HOLES: Drill a 7/32" pilot hole at each roof attachment. Clean roof surface of dirt, debris, snow, and ice. Fill each pilot hole with sealant.



In case of missing a rafter, fill in the pilot hole with sealant.

Pro Tip:

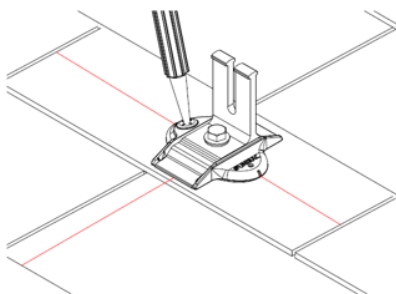
Drill pilot holes within 1/4" of chalkline to allow rail to slide freely in Rail Clamps. See Page 15.



INSTALL STRONGHOLD ATTACHMENT BASE:

Place the Stronghold attachment base assembly over the pilot hole. Align indicator marks of mount with chalk line. Drive lag bolt until mount is held firmly in place. The EPDM washer should compress and expand slightly beyond the outside edge of the steel washer when the proper torque is applied.

Note: Rail clamp can be installed in four orientations. See Page 13 for a detailed view.

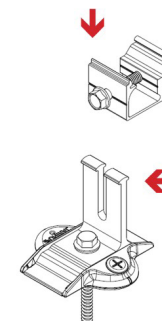


SEAL:

Insert tip of UNIRAC provided sealant into port. Inject until sealant exits vent. Follow sealant manufacturer's instructions and cold weather application guidelines, if applicable.

Note:

USE ONLY UNIRAC APPROVED SEALANTS: Chemlink Duralink 50, Chemlink M-1, Geocel 4500, Geocel S-4 or SealBond SB-500. Follow sealant manufacturer's instructions and cold weather application guidelines.

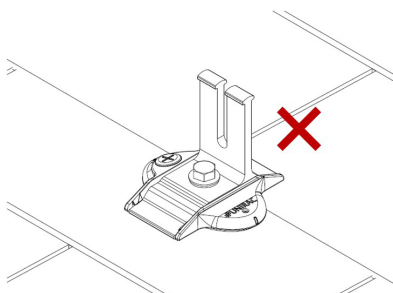


PLACE RAIL CLAMP ONTO L-FOOT:

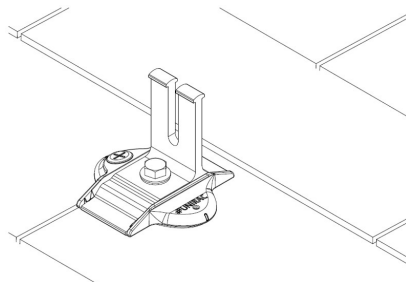
Drop the rail clamp assembly into the open slot of L-Foot.



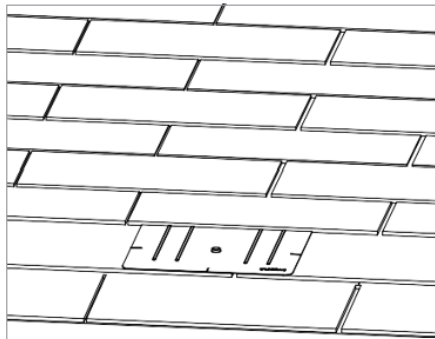
Do not tighten the rail clamp before putting in the rail.



Avoid installing stronghold attachments across gaps or overlaps in roofing materials that are larger than 1/8 inch.

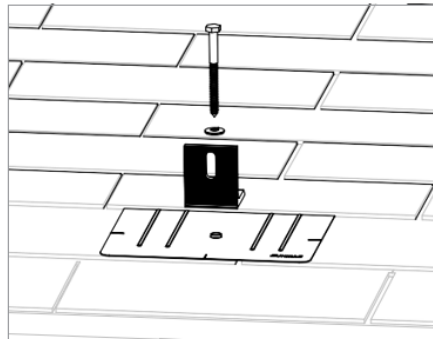


When installing the stronghold attachment over vertical joints, fill gap/joint with sealant between mount and upslope edge of shingle course.



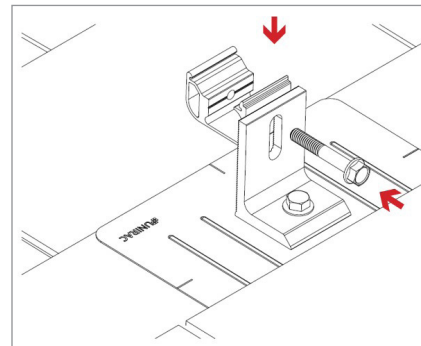
INSTALL FLASHKIT PRO FLASHING:

Add a U-shaped bead of roof sealant to the underside of the flashing with the open side of the U pointing down the roof slope. Slide the aluminum flashing underneath the row of shingles directly up slope from the pilot hole as shown. Align the indicator marks on the lower end of the flashing with the chalk lines on the roof to center the raised hole in the flashing over the pilot hole in the roof. When installed correctly, the flashing will extend under the two courses of shingles above the pilot hole.



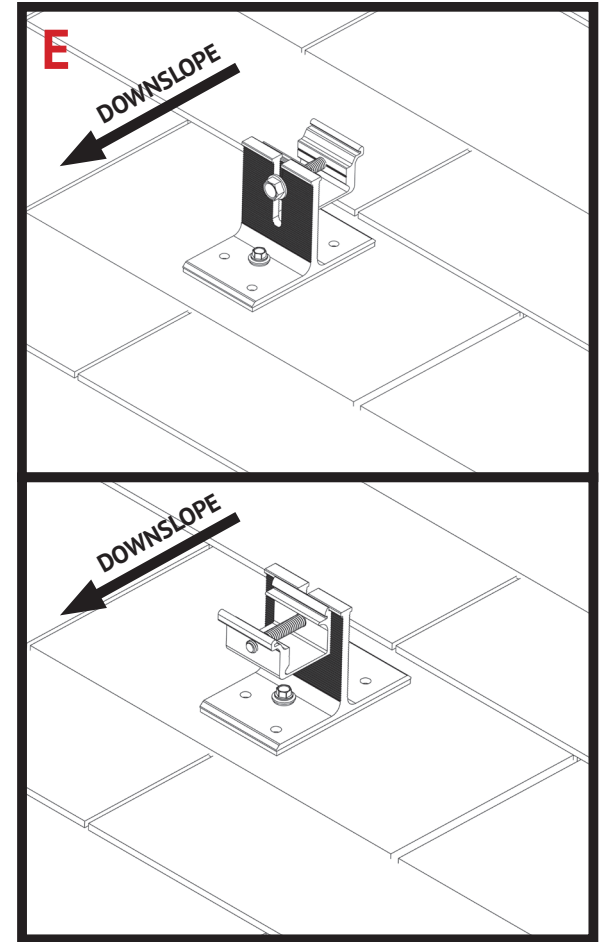
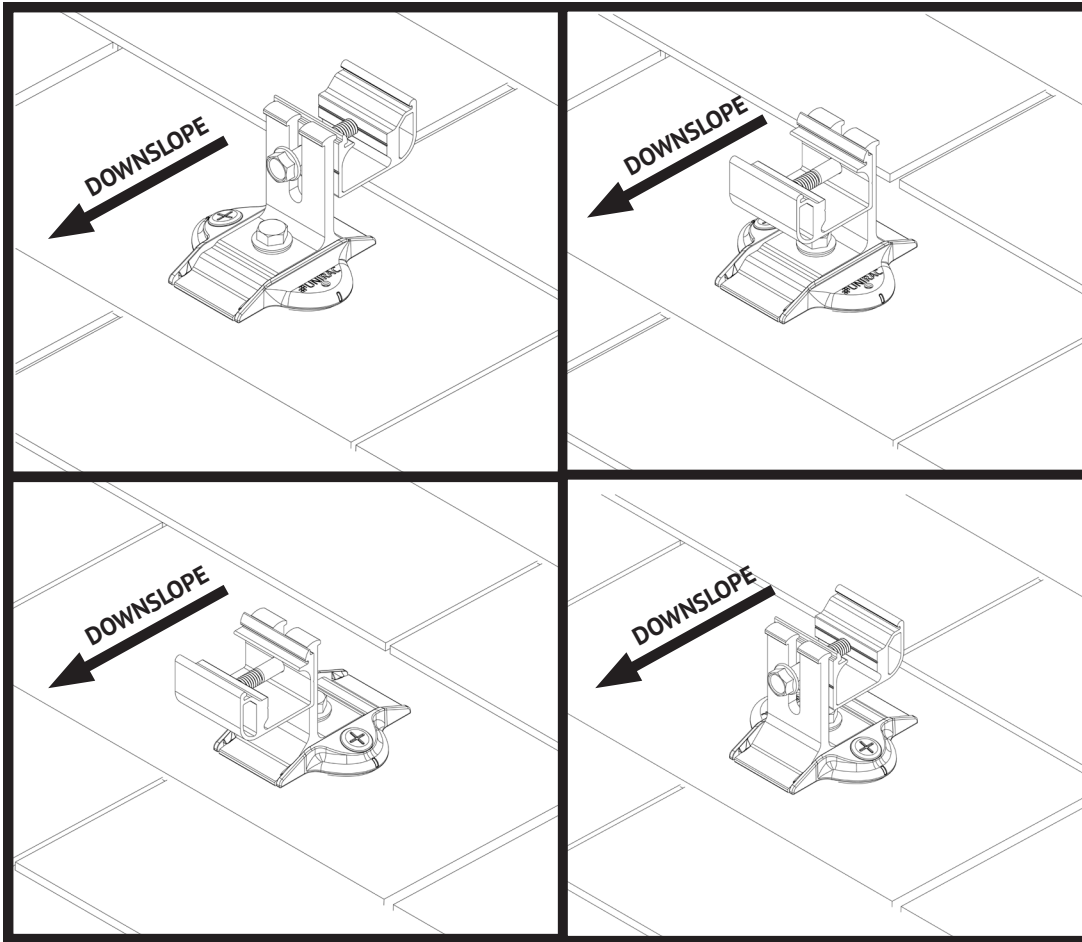
INSTALL L-FOOT: Fasten L-foot and flashing into place by passing the included lag bolt and pre-installed stainless steel-backed EPDM washer through the L-foot EPDM grommet, and the hole in the flashing, into the pilot hole in the roof rafter. Drive the lag bolt down until the L-foot is held firmly in place. The EPDM washer should compress and expand slightly beyond the outside edge of the steel washer when the proper torque is applied.

Note: FLASHKIT PRO L-FOOT can be installed in TWO orientations. See Page 14 for detailed view.



FIX RAIL CLAMP ONTO L-FOOT: Remove bolt from rail clamp. Place bolt through slot in L-foot and through hole in Rail Clamp. Partially thread bolt into rail clamp, leaving the bolt loose to accept the rail.

Note: Rail Clamp can be installed on any standard L-foot.



STRONGHOLD ATTACHMENT AND RAIL CLAMP ORIENTATIONS:

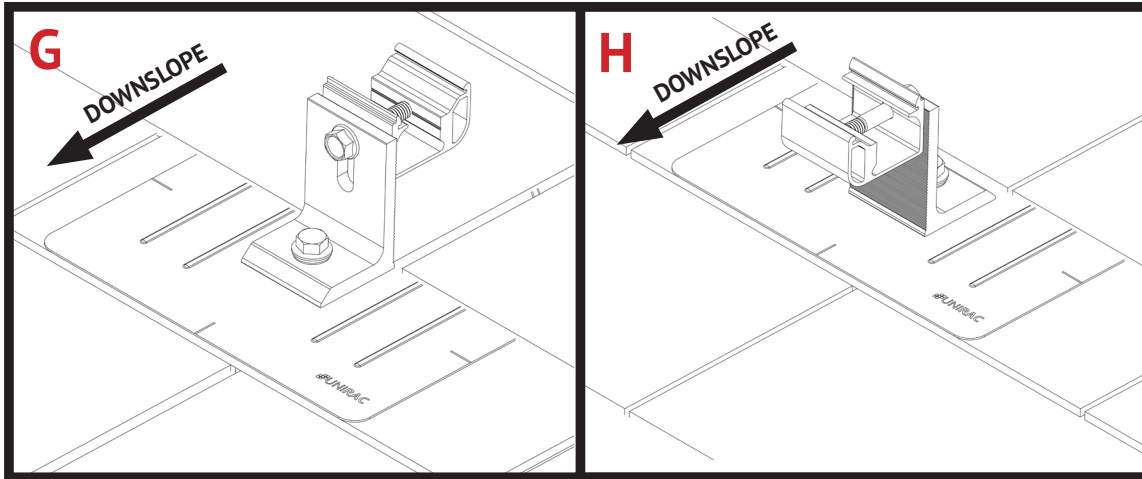
The Stronghold Attachment and Rail Clamp can be installed in any of four possible orientations, shown in images (A) through (D) above.

Note: For high snow loads, use orientations (C) or (D). Refer to NXT UMOUNT Design and Engineering Guide for specific requirements.

STRONGHOLD ATTACHMENT WITH BUTYL AND RAIL CLAMP ORIENTATIONS:

Stronghold Attachment with Butyl and Rail Clamp can be installed in either orientation shown in image (E) and (F) above.

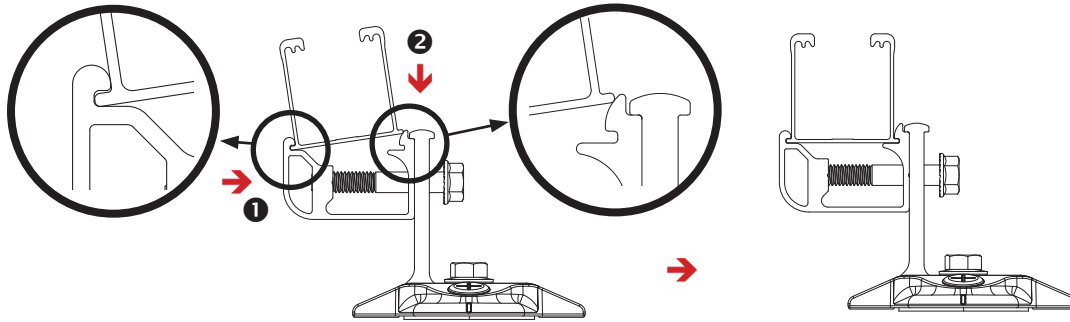
Note: For high snow loads, use orientation (F). Refer to NXT UMOUNT Design and Engineering Guide for specific requirements.



FLASHKIT PRO L-FOOT AND RAIL CLAMP ORIENTATIONS:

Flashkit Pro L-foot and Rail Clamp can be installed in either orientation shown in image (G) and (H) above.

Note: For high snow loads, use orientation (H). Refer to NXT UMOUNT Design and Engineering Guide for specific requirements.

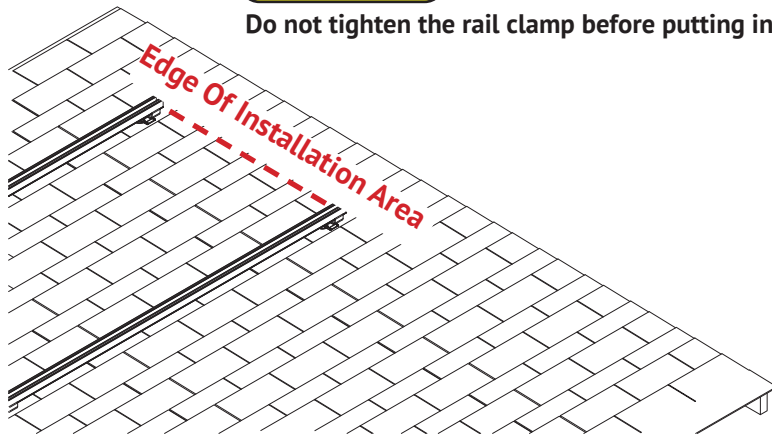


POSITION RAIL ONTO RAIL CLAMP:

With the bolt in the pre-assembled (loose) position, Insert the rail flange on one side of the clamp groove. Then click-in the other side of the rail into the clamp groove.

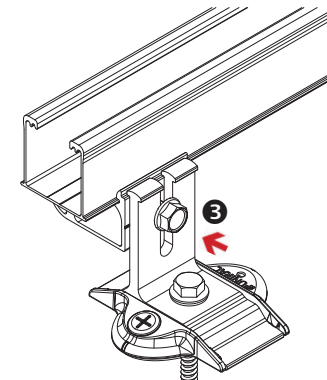


Do not tighten the rail clamp before putting in the rail.



ALIGN RAILS: Align one pair of rail ends to the edge of the installation area. The opposite pair of rail ends will overhang installation area. Do not trim them off until the installation is complete. Install the first module at the aligned end. If the rails are parallel to the rafters, the aligned end of the rails should face the lower edge of the roof. Securely tighten all hardware after alignment is complete.

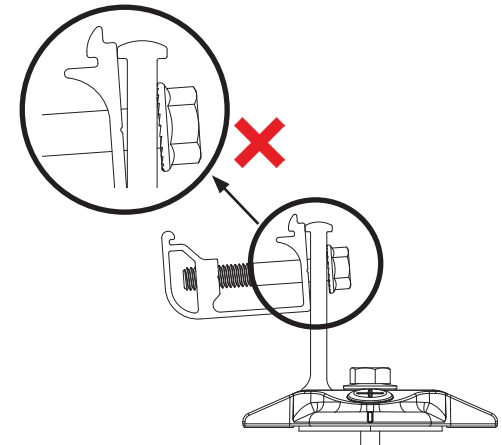
Mount modules to the rails as soon as possible. Large temperature changes may bow the rails within a few hours if module placement is delayed.



TIGHTEN RAIL ONTO RAIL CLAMP :

Adjust the rail height as needed until rail alignment is complete and tighten bolt.

TORQUE VALUE: 20 ft-lbs.



Rail clamp must be flush to the L-foot and positioned below the flange at the top of the L-foot.

SPLICE INSTALLATION (IF REQUIRED PER SYSTEM DESIGN)

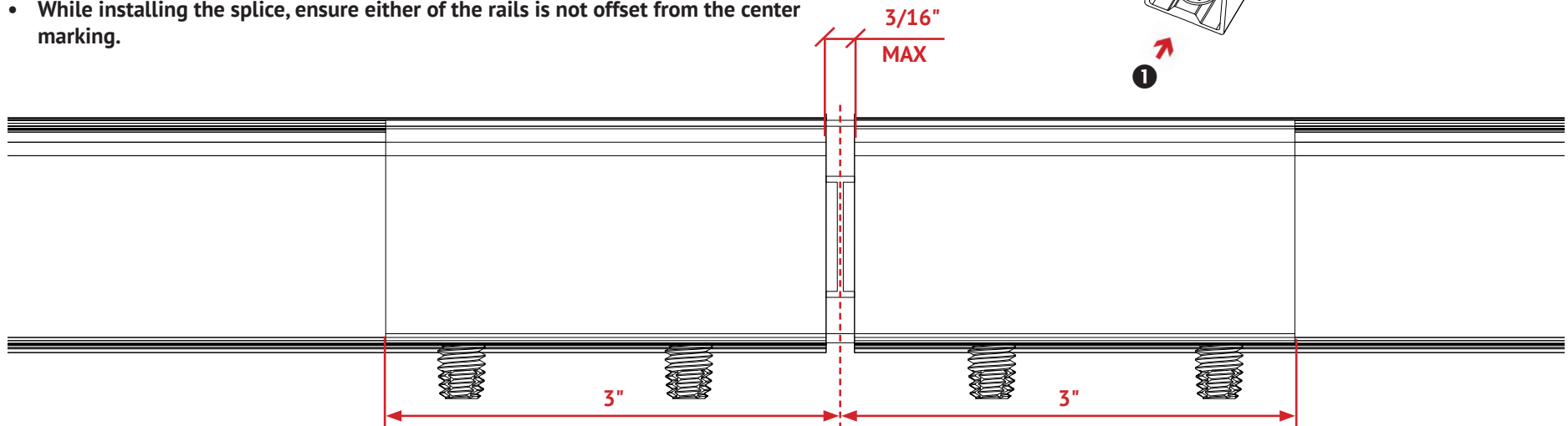
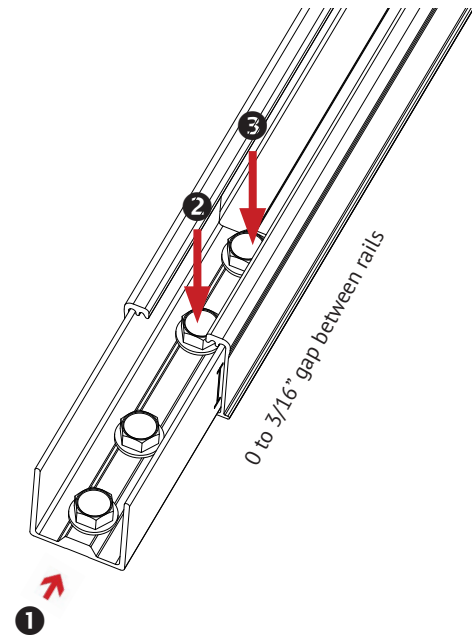
If your installation uses NXT UMOUNT Rail Splice, attach the rails together either before installing the rail or after. Use marking on the splice for centering the connection. To install, slide the splice into the rail on each rail and drag it to the center of the marking. Tighten both bolts on each rail with an impact drill, pressing firmly until the bolt-head is flush against the splice and torqued to 15 ft-lbs. Installation is complete when the bonding hardware penetrates the opposite side of the rail, and the assembly torque is achieved.

①, ②, ③ are the steps of installation.

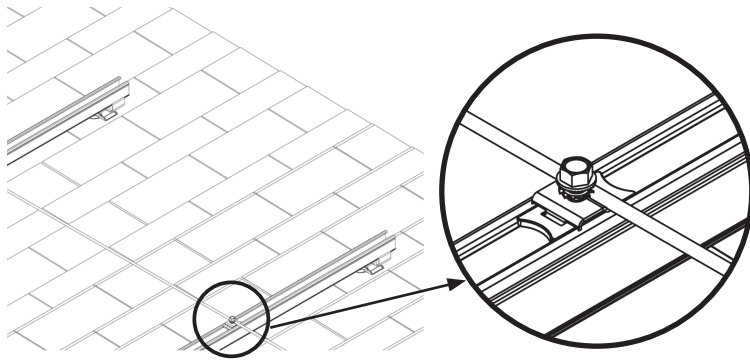
TORQUE VALUE: 15 ft-lbs. Do not use Anti-Seize.

CAUTION

- If assembling splice directly on roof, take care to prevent bolts from penetrating roof covering.
- While installing the splice, ensure either of the rails is not offset from the center marking.

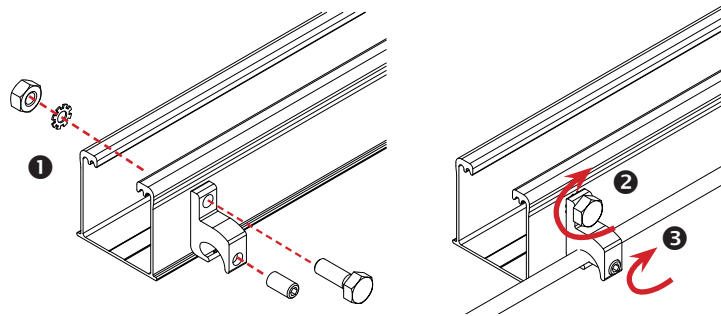


- Note:**
1. Maximum gap between rails should not exceed 3/16" at splice connection
 2. Splice certified for single-use only



SYSTEM GROUNDING: Rails can be bonded using an NXT UMount MLPE & Lug Clamp, GROUND WEEBLUG #1 or ILSCO LAY IN LUG (GBL4DBT). At least one rail per row of modules in an array must be bonded to electrical ground. Each additional row of modules must be grounded with at least one rail lug per row or with a row-to-row bonding device listed here.

Note: See Page 5 for additional lugs required for expansion joints.



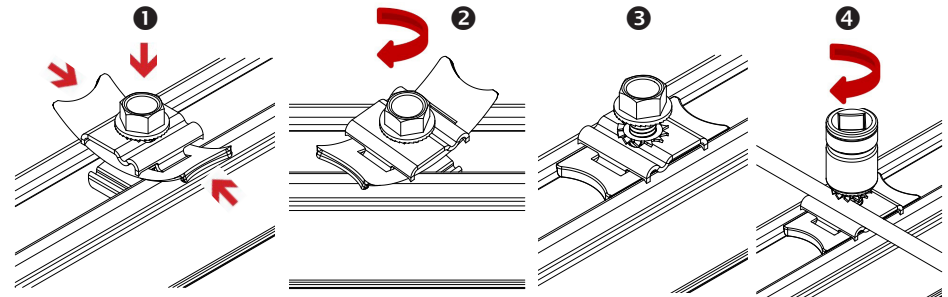
ALTERNATE SYSTEM GROUNDING WITH ILSCO LAY-IN LUG - UNIRAC P/N 008009P: Alternate Grounding Lug. Drill hole in rail 7/32" in diameter, deburr hole and bolt through one wall of rail.

BOLT TORQUE VALUE: 5 ft lbs.

TERMINAL TORQUE: 4-6 AWG: 35in-lbs, 8 AWG: 25 in-lbs.



Ensure Copper does contact Aluminum to avoid corrosion.

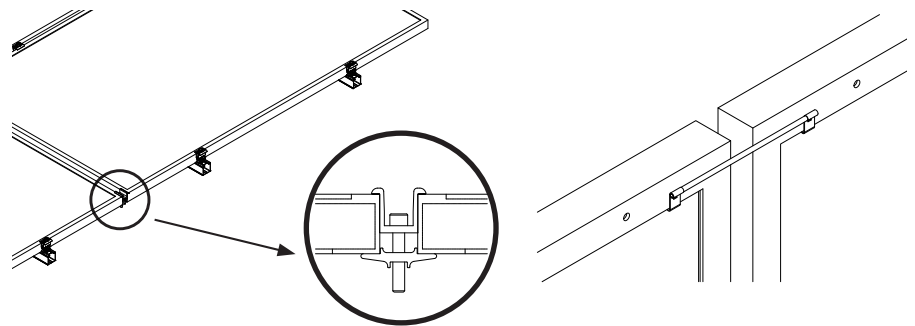


SYSTEM GROUNDING WITH MLPE & LUG CLAMP: Insert the rail nut profile in the opening by lifting the flaps of the plastic clip. Rotate the clamp 90 deg and release the flaps to get flush with rail. Ensure that the rail nut is engaged in the rail profile. Align the ground wire in the depression of the washer. Tighten bolt.

TORQUE VALUE: 6-8 AWG SOLID COPPER: 12 ft lbs.



MLPE & Lug Clamp cannot be used to simultaneously mount a MLPE and ground wire.



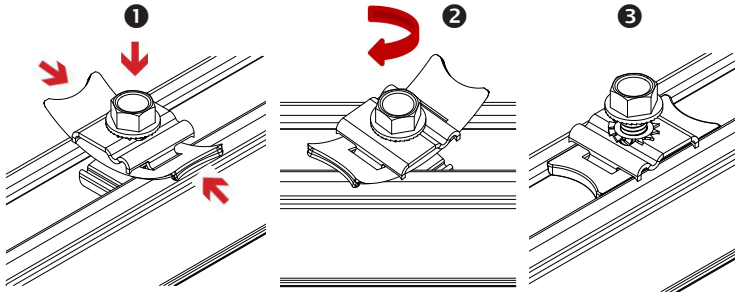
ALTERNATE ROW GROUNDING WITH N/S BONDING CLAMP:

Insert clamp between module rows and tighten bolt.

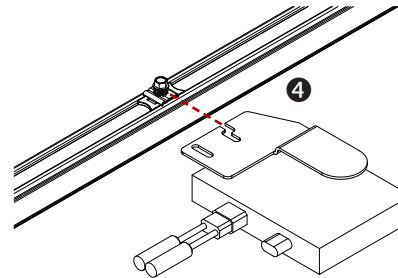
TORQUE VALUE: 20 ft-lbs.

ALTERNATE ROW GROUNDING WITH N/S BONDING CLIP:

Fully seat bonding clip on each module flange to provide bond across N/S module gap.



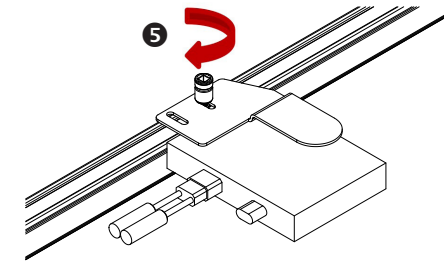
INSTALL MLPE & LUG CLAMP: Insert the rail nut in the rail by pinching the flaps of the plastic clip with thumb and middle finger, while pressing bolt head down with pointer finger. Rotate the clamp 90 deg in clockwise or anticlockwise in the rail and release the flaps when aligned with rail. Ensure that the rail nut is engaged in the rail profile.



INSTALL MICROINVERTER: Install microinverter onto rail. Engage with bolt.



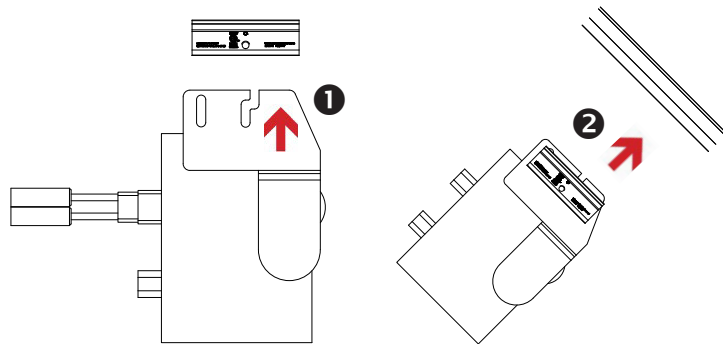
MLPE & Lug Clamp cannot be used to simultaneously mount MLPE devices and ground wires.



TIGHTEN BOLT TO SECURE:

TORQUE VALUE: 12 ft-lbs.

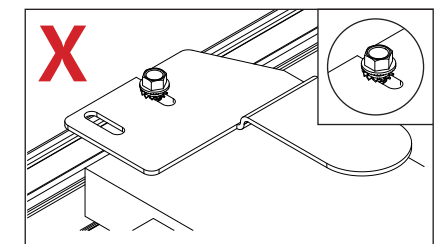
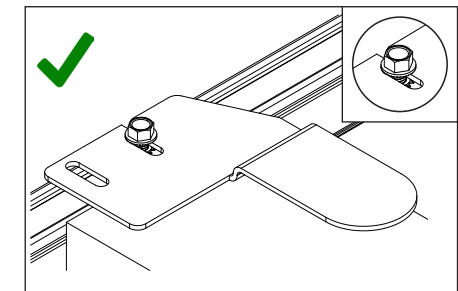
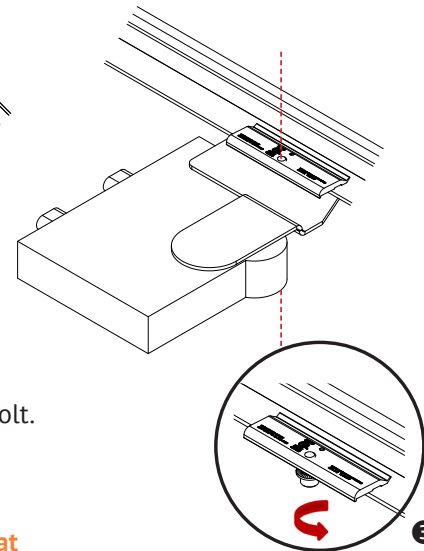
Quick Tip: To remove the MLPE clamp from the rail, use a tool to pry-open the rail to release the clamp.



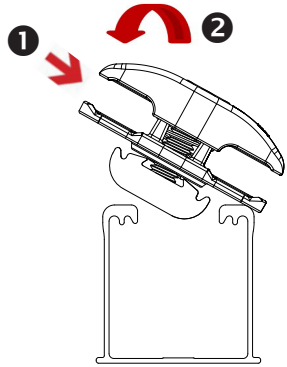
ALTERNATELY INSTALL MLPE ON MODULE FRAME: Engage MLPE & mount onto module frame flange and tighten bolt.

TORQUE VALUE: 20 ft-lbs.

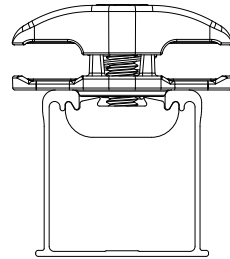
Note: Refer to Unirac MLPE Mount Installation Guide for details at <https://unirac.com>



Ensure that MLPE is always installed on the top of lock-tooth washer.

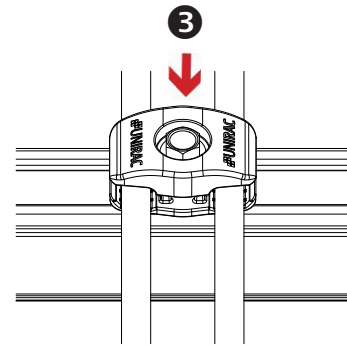


INSTALL NS WIRE MANAGEMENT CLIP:
 Insert the wire clamp assembly into the rail by placing one end of the rail nut into the rail and clip in the other end.



INSTALL NS WIRE MANAGEMENT CLIP:
 Ensure that the rail nut profile is seated in the rail profile.

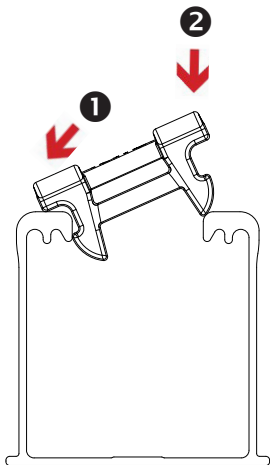
Note: Wire clip can be oriented along the rail or perpendicular to secure wires between rails.



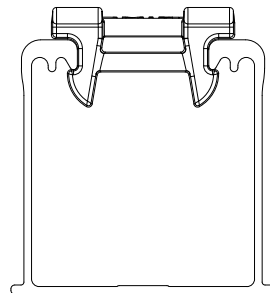
INSTALL NS WIRE MANAGEMENT CLIP:

Insert the wires into the groove of wire clamp and tighten it down to the suggested torque value.

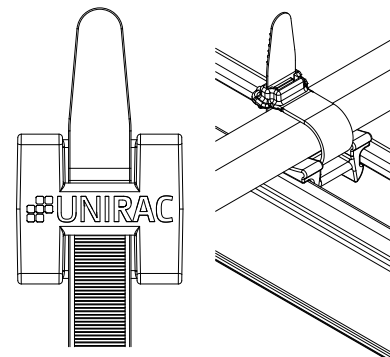
TORQUE VALUE: 3-7 ft-lbs.



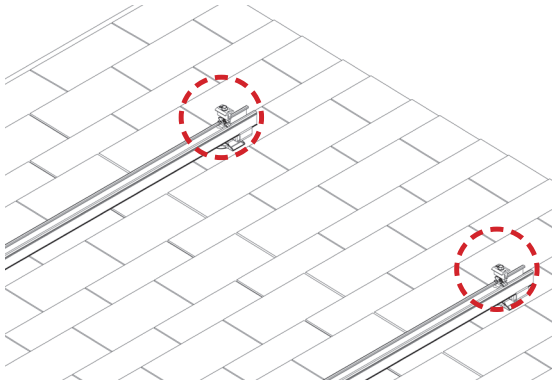
INSTALL WIRE MANAGEMENT CLIP:
 Wire clip retains the wire in the rail channel. Press fit the clip onto the rail flanges to install.



INSTALL WIRE MANAGEMENT CLIP:
 Ensure that the clip base is seated on the rail flange

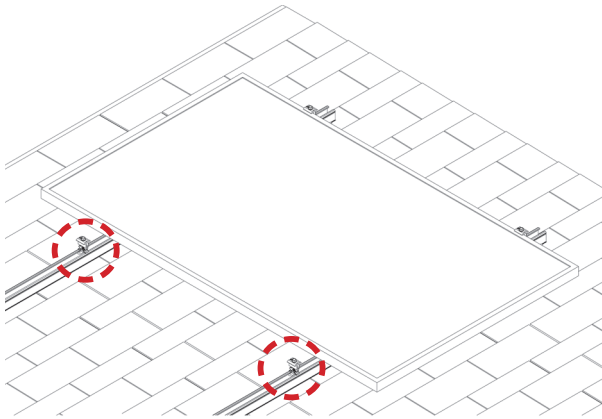


INSTALL WIRE MANAGEMENT CLIP:
 Use the wire tie to strap the wires down on the seater provided in the wire clip.



INSTALL COMBO (END) CLAMPS:

Install Combo Clamps starting at the aligned end of rails.



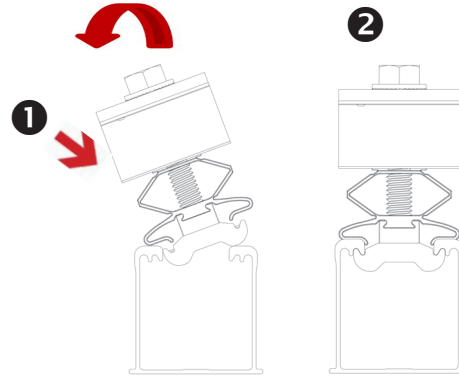
INSTALL COMBO (MID) CLAMPS:

Clamp assemblies may be positioned in rail near point of use prior to module placement.

Note: The clamps may be installed above splice locations.

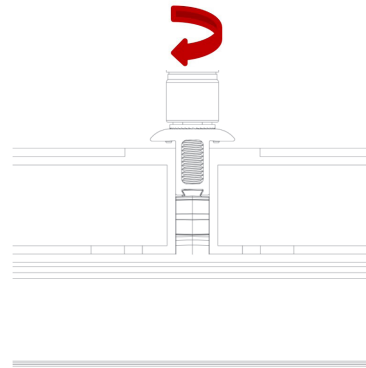
PRO TIP

Press the clamp assembly slightly into the rail to allow for easy sliding of clamp in the rail.



INSERT COMBO CLAMP:

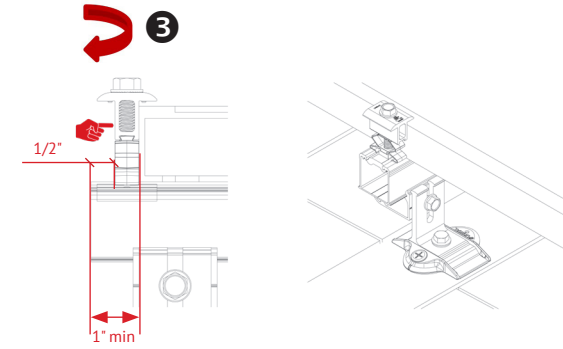
Insert Combo Clamp from one side of the rail nut into the rail and click in the other side. Ensure that the rail nut profile is seated in the rail profile.



PLACE ADJACENT MODULE AGAINST CLAMPS:

Modules must be tight against clamps with no gaps. Tighten bolt to required torque.

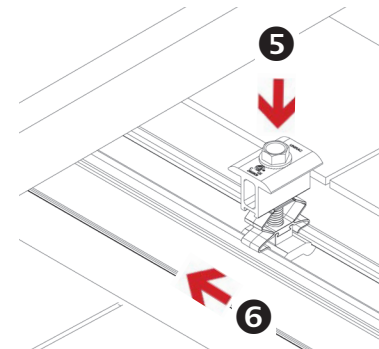
TORQUE VALUE: 15 ft-lbs.



INSTALL END MODULE: Position first module onto rails and engage module frame with end clamps. Hold clamp in place against module while tightening bolt.

TORQUE VALUE: 15 ft-lbs.

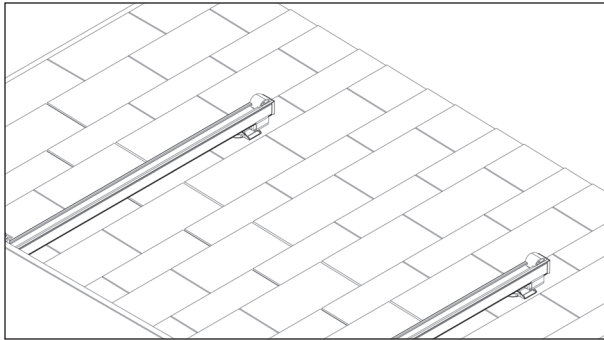
Note: Ensure a minimum distance of 1" from the end of the module to end of rail.



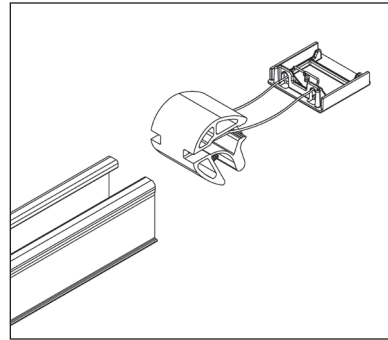
INSTALL REMAINING MODULES:

Proceed with module installation. Engage each clamp with previously positioned module.

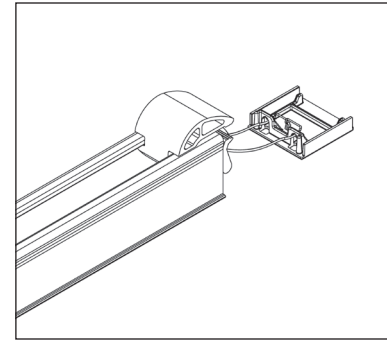
Note: Combo clamps are capable of securing module frames whose thickness varies from 30mm to 40mm.



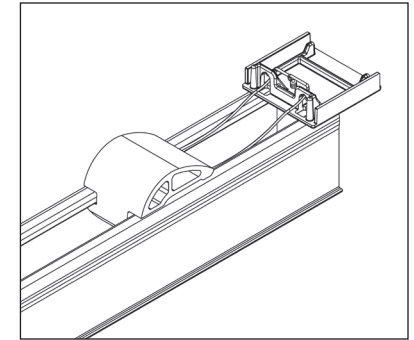
INSTALL MODULE END CLAMPS: The End clamp is supplied as kit with pre assembled end cap. The clamp should be installed on the rails prior to installing end modules.



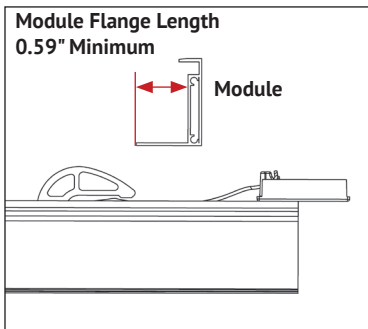
INSTALL END CLAMPS ON RAIL: Slide the end clamp assembly on to the rail by engaging grooves on both sides into the top flange of the rail.



POSITION END CLAMPS: Slide the end clamp assembly onto the rail until the module return flange is cleared for placing the module



NOTE:
 To assist insertion of the clamp into the rail, hold the twist ties together and slide the clamp. Place the end cap on the rail flange for smooth gliding of the clamp to the required position.

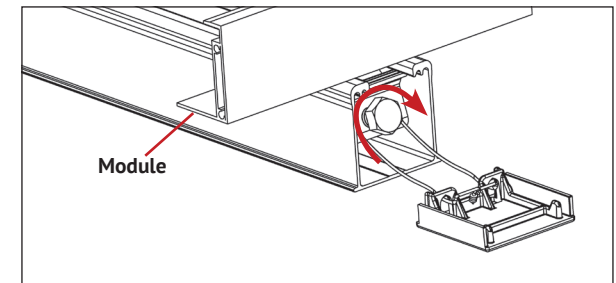
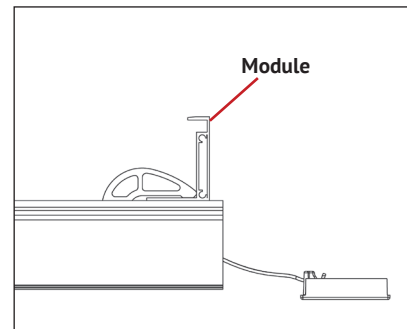
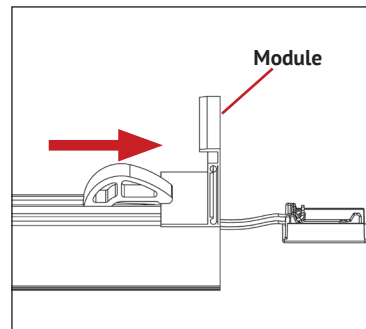


INSTALL FIRST MODULE:

Position first module onto rails with the clamp clear from the return flange of the module. Hold the end cap and drag the clamp onto the return flange of the module. Once the clamp is onto the return flange, drag the clamp till the edge of the clamp contacts the vertical wall of return flange.

Note:

- Ensure to use a drill extension or deep socket for installing the clamp bolt.
- Requires a minimum return flange length of 0.59" and thickness of 1-2 mm for Hidden Endclamp to secure the module.



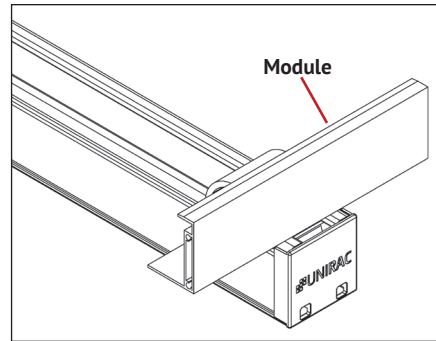
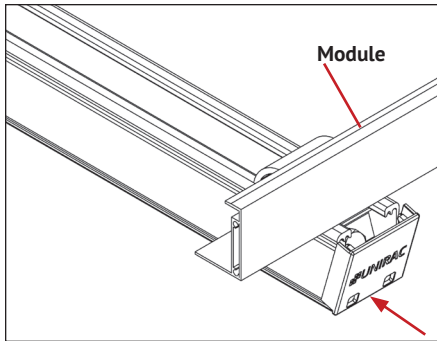
ENGAGE CLAMP: While holding the module in position and with the clamp in contact with the flange, tighten the end clamp bolt to the required torque.

Torque End Clamp bolt to 15 ft-lbs, No anti-seize



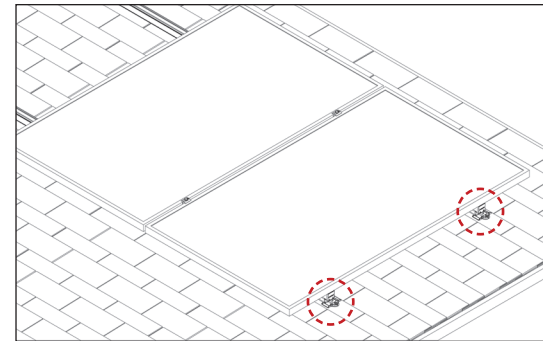
Ensure bolt is not over-torqued, use low torque setting on drill. If using an impact driver, stop rotation as soon as impact action of driver begins.

FOR HIDDEN CLAMP



END CAP INSTALLATION:

To install the end cap, tuck in the twist tie in the rail beside the bolt. Position the cap on the edge of the rail and press the cap onto the rail.



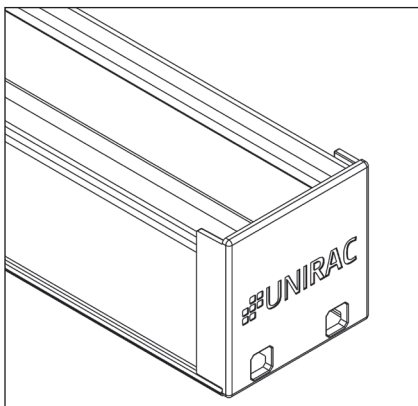
Place module, flush with rail ends. The bolt head of the clamp must not protrude beyond the rail edge. Modules must be fully supported by rails and cannot overhang at the ends of rails.

Pro Tip:
 For best appearance, leave enough space for the bolt head while cutting the rail ends to perfectly snap fit the end cap.



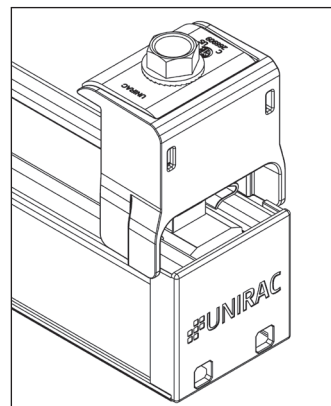
Ensure the clamp bolt head does not protrude outside of the rail while cutting the rails for end cap installation.

FOR COMBO CLAMP



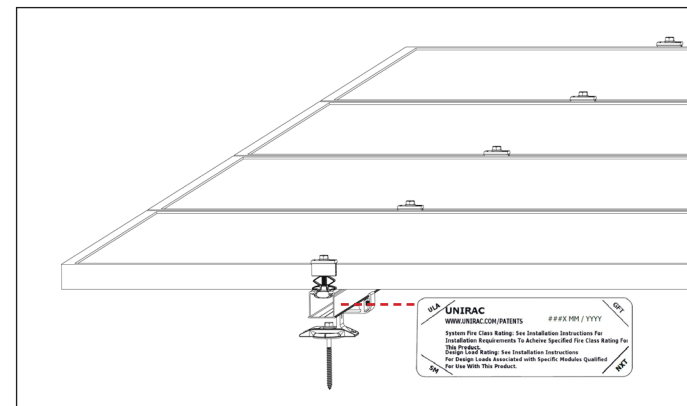
OPTIONAL END CAP:

To install the end cap, place the cap on the edge of the rail and press the cap onto the rail.



OPTIONAL COMBO CLAMP CAP:

To install the combo clamp cap, place the cap on the edge of the rail and press the cap onto the clamp.

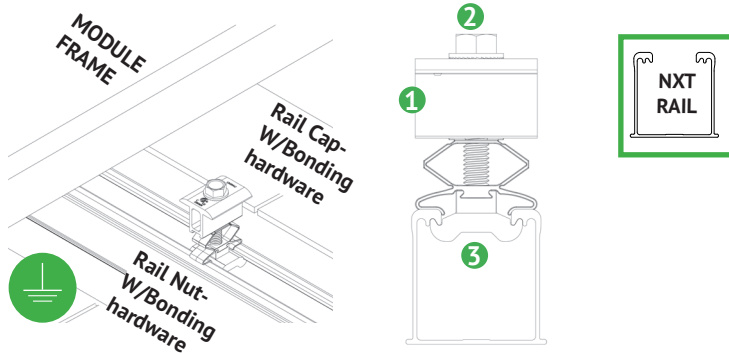


INSTALL UL2703 CERTIFICATION MARKING LABEL:

After the racking system is fully assembled, a single label should be applied to the rail at the edge of the array. One certification label is supplied in every box of 20 clamps.

Note:

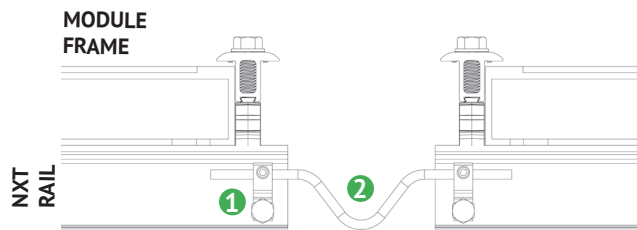
- The sticker label should be placed such that it is visible.
- Cutoff all corners except NXT before applying on rail.



BONDING COMBO MID-END CLAMP ASSEMBLY

- 1 Aluminum combo mid-end clamp cap with stainless steel bonding pins that pierce module frame anodization to bond module to module through clamp
- 2 Stainless steel bolt bonds aluminum clamp to stainless steel Hex bolt
- 3 Aluminum combo mid-end clamp rail nut with stainless steel bonding pins that pierce rail anodization to bond module to module through clamp

NOTE: See Page 20 for installation details.



BONDING BETWEEN THERMAL BREAKS

- 1 Lug is connected at the end of each thermal break to the rail.
- 2 Solid copper wire is connected across the gap to bond the two ends.

NOTE: See Page 5 for installation details.

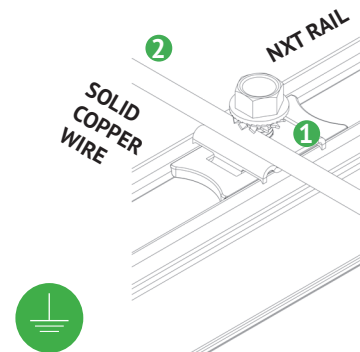


BONDING RAIL SPLICE

- 1 Bonding Hardware creates bond between Splice bar and each rail section.
- 2 Aluminum splice bar spans across rail gap to create rail to rail bond. Rail on at least one side of splice will be grounded.

NOTE:

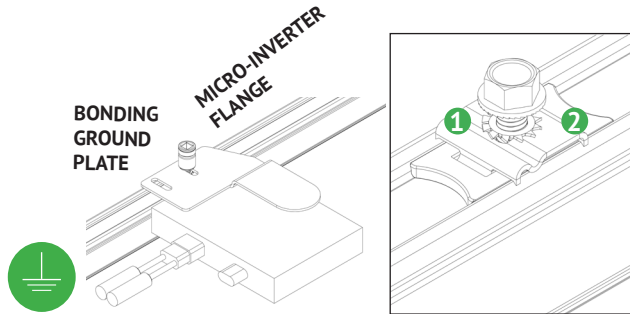
- See Page 16 for installation details
- Splice certified for single-use only



RACK SYSTEM GROUNDING

- 1 Tabs on the stainless-steel washer pierce anodization on the rail to bond rail to ground wire.
- 2 Solid copper wire connected to lug is routed to provide final system ground connection.

NOTE: See Page 17 for installation details and alternate racking system grounding methods.



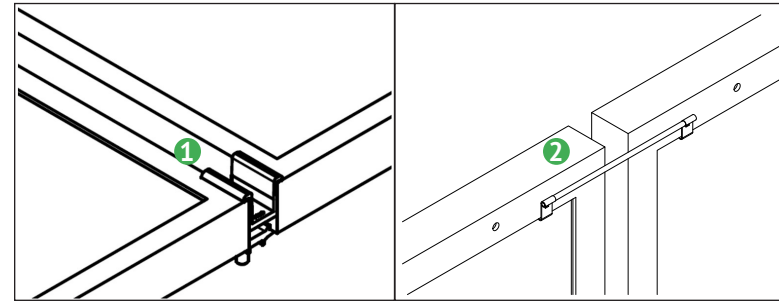
BONDING MICROINVERTER MOUNT

- 1 Stainless steel Tooth lock washer beneath the MLPE flange remove anodization on the MLPE and bonds.
- 2 Tabs on the stainless steel washer remove anodization on the rail and bonds.

NOTE: See Page 18 for installation details

CAUTION

- If loose components or loose fasteners are found during periodic inspection, re-tighten immediately.
- Any components showing signs of corrosion or damage that compromise safety shall be replaced immediately.



ALTERNATE ROW-TO-ROW BONDING PATHS

- 1 Row-to-row module bonding is accomplished with bonding clamp with 2 integral bonding pins.
- 2 Alternate method by connecting clips on either module to complete the bonding path.

NOTE:

- See Page 17 for installation details
- Row-to-row module bonding certified for single-use only



RACKING SYSTEM GROUND

Note: Only one lug per module row required

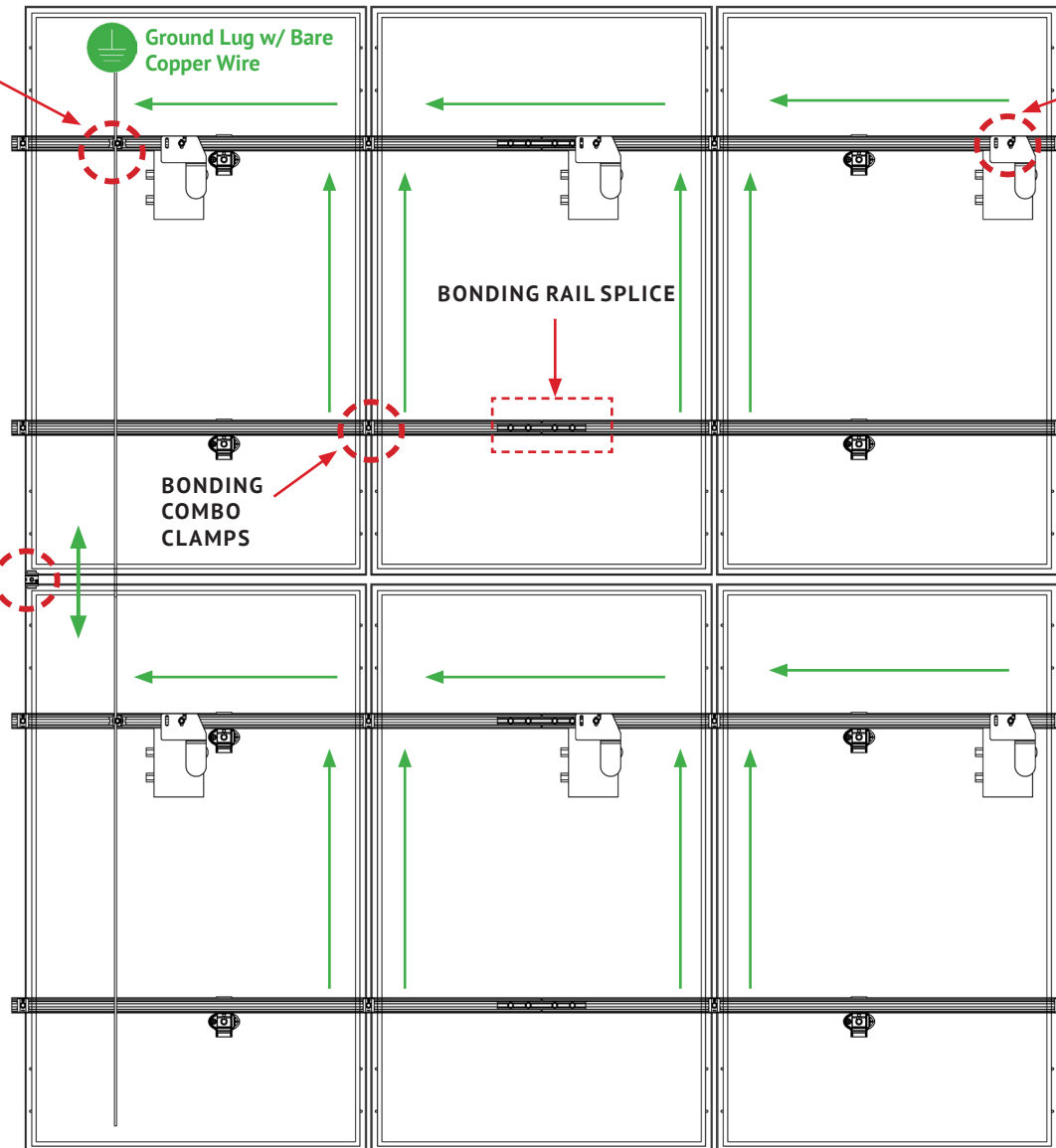
Ground Lug w/ Bare Copper Wire

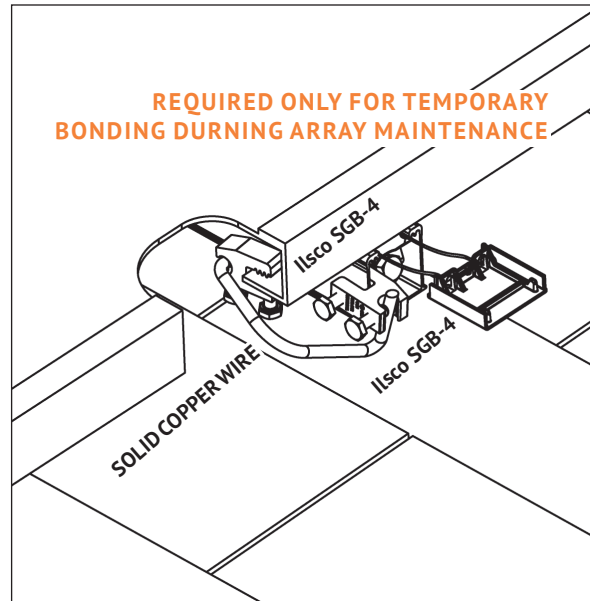
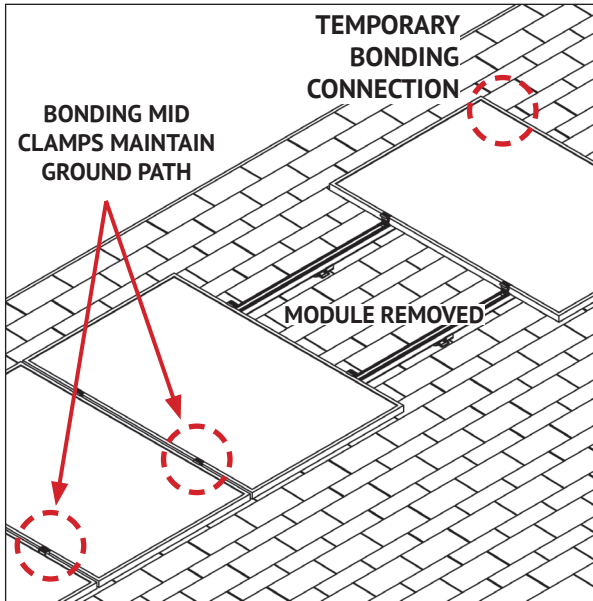
BONDING MICROINVERTER MOUNTS

BONDING RAIL SPLICE

BONDING COMBO CLAMPS

ALTERNATE ROW-TO-ROW BONDING METHOD





TEMPORARY BONDING CONNECTION DURING ARRAY MAINTENANCE

When removing modules for replacement or system maintenance, any module left in place that is secured with a bonding Midclamp will be properly grounded. If a module adjacent to the end module of a row is removed or if any other maintenance condition leaves a module without a bonding mid clamp, a temporary bonding connection must be installed as shown

- Attach IlSCO SGB4 to wall of rail
- Attach IlSCO SGB4 to module frame
- Install solid copper wire jumper to IlSCO lugs



Module removal may disrupt the bonding path and could introduce the risk of electric shock. Follow above mentioned instructions to maintain the bonding path.

ELECTRICAL CONSIDERATIONS

NXT UMOUNT is intended to be used with PV modules that have a system voltage less than or equal to that allowable by NEC. For standard system grounding a minimum 10AWG, 105°C copper grounding conductor should be used to ground a system, according to the National Electric Code (NEC). It is the installer's responsibility to check local codes, which may vary. See below for interconnection information.

INTERCONNECTION INFORMATION

There is no size limit on how many NXT UMOUNT & PV modules can be mechanically interconnected for any given configuration, provided that the installation meets the requirements of applicable building and fire codes.

GROUNDING NOTES

The installation must be conducted by a licensed and bonded electrician or solar contractor in accordance with the National Electric Code (NEC) and the authority having jurisdiction. Please refer to these resources in your location for required grounding lug quantities specific to your project.

The grounding / bonding components may overhang parts of the array so care must be made when walking around the array to avoid damage.

Conductor fastener torque values depend on conductor size. See product data sheets for correct torque values.

PERIODIC INSPECTION

Conduct periodic inspections for loose components, loose fasteners or any corrosion, immediately replace any affected components.

The NXT UMOUNT system has been certified and listed to the UL 2703 standard (Rack Mounting Systems and Clamping Devices for Flat-Plate Photovoltaic Modules and Panels). This standard included electrical grounding, electrical bonding, mechanical load and fire resistance testing.

SYSTEM LEVEL FIRE CLASSIFICATION

The system fire class rating requires installation in the manner specified in the NXT UMOUNT Installation Guide. NXT UMOUNT has been classified to the system level fire portion of UL 2703. NXT UMOUNT has achieved system level performance for steep sloped roofs and low sloped roofs. System level fire performance is inherent in the NXT UMOUNT design, and no additional mitigation measures are required. See table below for definition of steep sloped and low sloped roofs. The system is to be mounted over fire resistant roof covering rated for the application. There is no required minimum or maximum height limitation above the roof deck to maintain the system fire rating for NXT UMOUNT. Approved Module Types & System Level Fire Ratings are listed below:

Roof Type	Module Type	System Level Fire Rating	Rail Direction	Module Orientation
Steep Slope - roof pitches ≥ 2 in/ft	Type 1, 2, 3 with metal frame, 10 with metal frame, 19, 22, 25, 29, & 30	Class A	Parallel OR Perpendicular to Ridge	Landscape OR Portrait
Low Slope - roof pitches < 2 in/ft	Type 1, 2, 29, & 30			

MECHANICAL LOAD TEST MODULES

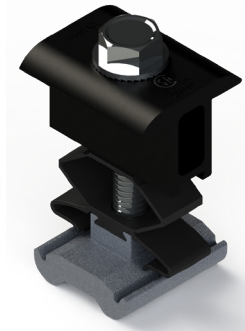
The modules selected for UL 2703 mechanical load testing were selected to represent the broadest range possible for modules on the market. The tests performed covers module frame thicknesses greater than or equal to 1.0 mm, single and double wall frame profiles (some complex frame profiles could require further analysis to determine applicability), and clear and dark anodized aluminum frames. PV modules may have a reduced load rating, independent of the NXT UMOUNT rating. Please consult the PV module manufacturer's installation guide for more information.

Tested Module	Design Load Ratings	Tested Loads	Tested Module Area
SunPower SPR-A440 -COM	Down: 50 psf, Up: 50 psf, Slope: 15 psf	Down: 75 psf, Up: 75 psf, Slope: 23 psf	21.86 sq ft
Jinko JKM-xxxM 72HL4-V	Down: 39.47 psf, Up: 22.28 psf, Slope: 8 psf	Down: 59.20 psf, Up: 33.42 psf, Slope: 12 psf	27.76 sq ft
Q Cells Q Peak Duo XL-G11.3/BFG	Down: 37.06 psf, Up: 20.97 psf, Slope: 7.53 psf	Down: 55.6 psf, Up: 31.46 psf, Slope: 11.3 psf	29.49 sq ft

UL2703 CERTIFICATION MARKING:

Unirac NXT UMOUNT is listed to UL 2703. Certification marking is embossed on all Combo Clamps as shown. Labels with additional certification information are provided with clamps and must be applied to the NXT UMOUNT Rail at the edge of the array.

Note: This racking system may be used to ground and/or mount a PV module complying with UL1703/UL61730 only when the specific module has been evaluated for grounding and/or mounting in compliance with the included instructions.



Electrical Bonding and Grounding Test Modules

The list below is not exhaustive of compliant modules but shows those that have been evaluated and found to be electrically compatible with the NXT UMOUNT system.

Manufacture	Module Model / Series
Aionrise	AION60G1, AION72G1
Aleo	P-Series & S-Series
Aptos Solar	DNA-120-(MF/BF)10-xxxW DNA-120-MF10 DNA-120-(MF/BF)23 DNA-144-(MF/BF)23 DNA-120-(MF/BF)26 DNA-144-(MF/BF)26 DNA-108-(MF/BF)10-xxxW
Astronergy	CHSM6612 M, M/HV CHSM6612P Series CHSM6612P/HV Series CHSM72M-HC CHSM72M(DG)/F-BH
Auxin	AXN6M610T AXN6P610T AXN6M612T AXN6P612T
Axitec	AC-xxx(M/P)/60S, AC-xxx(M/P)/72S AC-xxxP/156-60S AC-xxxMH/120(S/V/SB/VB) AC-xxxMH/144(S/V/SB/VB)
Boviet	BVM6610, BVM6612
BYD	P6K & MHK-36 Series

Manufacture	Module Model / Series
Canadian Solar	CS1(H/K/U/Y)-MS CS3K-(MB/MB-AG/MS/P/P HE/PB-AG) CS3L-(MS/P), CS3N-MS CS3U-(MB/MB-AG/MS/P/P HE/PB/PB-AG) CS3W-(MB-AG/MS/P/P-PB-AG) CS3Y-MB-AG, CS5A-M CS6K-(M/MS/MS AllBlack/P/P HE) CS6P-(M/P), CS6R-MS CS6R-xxxMS-HL CS6U-(M/P/P HE), CS6W-(MB-AG/MS) CS6X-P, CSX-P, CS7L-MB-AG CS7L-xxxMB-AG ELPS CS6(A/P)-MM
Centrosolar America	C-Series & E-Series
CertainTeed	CT2xxMxx-01, CT2xxPxx-01, CTxxxMxx-01 CTxxxPxx-01, CTxxxMxx-02, CTxxxMxx-03 CTxxxMxx-04, CTxxxHC11-04 CTM10400HC11-08, CTM10400HC11-09
Eco Solargy	Orion 1000 & Apollo 1000
ET Solar	ET AC Module, ET Module ET-M772BH520-550WW/WB
First Solar	FS-6XXX(A) FS-6XXX(A)-P, FS-6XXX(A)-P-I
Flextronics	FXS-xxxBB
Freedom Forever	FF-MP-BBB-xxx, FF-MP1-BBB-xxx
FreeVolt	PVGraf

Manufacture	Module Model / Series
GCL	GCL-P6 & GCL-M6 Series
Hansol	TD-AN3, TD-AN4 UB-AN1, UD-AN1
Hanwha SolarOne	HSL 60
Heliene	36M, 36P 60M, 60P, 72M & 72P Series 144HC M6 144HC M10 SL Bifacial
H-SAAE	HT60-156M-C HT60-156M(V)-C HT72-156(M/P) HT72-156P-C, HT72-156P(V)-C HT72-156M(PDV)-BF, HT72-156M(PD)-BF HT72-166M, HT72-18X
Hyperion Solar	HY-DH108P8(B), HY-DH108N8B HY-DH144P8
Hyundai	KG, MG, RW, TG, RI, RG, TI, KI, HI Series HiA-SxxxHG, HiD-SxxxRG(BK), HiN-SxxxXG(BK), HiS-S400PI, HiS-SxxxYH(BK), HiS-SxxxXG(BK)
Imperial Star	ISM7-SHDD108-400/M
Inception	mSolar 108BB HC Series (TX110-xxx108BB) mSolar 144BB HC Series (TXS6-xxx144BB)
ITEK	iT-SE Series
Japan Solar	JPS-60 & JPS-72 Series

- The frame profile must not have any feature that might interfere with the bonding devices that are integrated into the racking system
- Use with a maximum over current protection device OCPD of 30A
- Unless otherwise noted, all modules listed above include all wattages and specific models within that series. Variable wattages are represented as "xxx"
- Items in parenthesis are those that may or may not be present in a compatible module's model ID
- Slashes "/" between one or more items indicates that either of those items may be the one that is present in a module's model ID
- **Listed models can be used to achieve a Class A fire system rating, for steep slope or low slope applications, only when modules of fire typed mentioned in Appendix A, Page 27 are used.**

Electrical Bonding and Grounding Test Modules

The list below is not exhaustive of compliant modules but shows those that have been evaluated and found to be electrically compatible with the NXT UMOUNT system.

Manufacture	Module Model / Series	Manufacture	Module Model / Series	Manufacture	Module Model / Series
JA Solar	JAM54S30 xxx/MR JAM54S31 xxx/MR JAM72D30MB, JAM78D10MB JAM72S30 /MR JAP6 60-xxx JAM6(K)-60/xxx, JAP6(k)-72-xxx/4BB JAP72S##-xxx/** JAP6(k)-60-xxx/4BB, JAP60S##-xxx/** JAM6(k)-72-xxx/**, JAM72S##-xxx/** JAM6(k)-60-xxx/**, JAM60S##-xxx/** i. ##: 01, 02, 03, 09, 10 ii. **: SC, PR, BP, HiT, IB, MW, MR ** = Backsheet, ## Cell technology	LG Electronics (Cont.)	LGxxx(N1C/N1K/N2T/N2W)-E6 LGxxx(N1C/N1K/N2W/S1C/S2W)-G4 LGxxxN2T-J5 LGxxx(N1K/N1W/N2T/N2W)-L5 LGxxx(M1C/N1C/Q1C/Q1K)-N5 LGxxx(N1C/N1K/N2W/Q1C/Q1K)-V5 LGxxxN3K-V6	NE Solar	NESE xxx-72MHB-M10 NESE xxx-60MH-M6
Jinko	JKM & JKMS Series JKMxxxM-72HL-V, JKMxxxM-72HLM-TV JKMxxxM-72HL4-(T)V, JKMxxxM-7RL3-V JKMxxxM-72HBL-V, JKMxxxM-72HL4-TV JKMxxxM-6RL3-B, JKMxxxN-72HL4-BDV JKMxxxN-54HL4-B, JKMxxxN-72HL4-TV JKMxxxM-7RL3-TV		LONGi	LR4-60(HPB/HPH) LR4-72(HPH) LR6-60 LR6-60(BK/HPB/HPH/HV/PB/PE/PH) LR6-72 LR6-72(BK/HV/PB/PE/PH) RealBlack LR4-60HPB RealBlack LR6-60HPB LR5-54-HPB-xxxM	Panasonic
Kyocera	KD-F & KU Series	Maxeon	SPR-MAX3-xxx-COM SPR-MAX3-XXX-R SPR-MAX3-XXX-BLK-R	Peimar	SGxxxM (FB/BF) SMxxxM
LA Solar	LSxxxHC(166), LSxxxBF, LSxxxBL, LSxxxHC, BLA Model	Meyer Burger	Meyer Burger Black, Meyer Burger White Meyer Burger Glass	Philadelphia Solar	PS-M108(HCBF)-400W (30 & 35mm frames)
LG Electronics	LGxxx(E1C/E1K/N1C/N1K/N2T/N2W/S1C/ S2W/Q1C/Q1K)-A5 LGxxx(A1C/M1C/M1K/N1C/N1K/Q1C/Q1K/ QAC/QAK)-A6, LGxxxN2W-B3 LGxxxN2T-B5, LGxxxN1K-B6	Mission Solar Energy	MSExxxSX9R MSE Mono, MSE Perc MSExxx(SR8T/SR8K/SR9S/SX5T) MSExxx(SX5K/SX6W)	Phono Solar	PSxxxM1-20/U PSxxxM1H-20/U PSxxxM1-20UH PSxxxM1H-20UH PSxxxM4(H)-24/TH PSxxxM1-20/UH PSxxxM1H-20/UH PSxxxM-24/T PSxxxMH-24/T PSxxxM-24/TH PSxxxMH-24/TH
		Mitrex	Mxxx-L3H, Mxxx-I3H	Prism Solar	P72 Series, P72X-xxx
		Mitsubishi	MJE & MLE Series		
		Neo Solar Power Co.	D6M Series		

- The frame profile must not have any feature that might interfere with the bonding devices that are integrated into the racking system
- Use with a maximum over current protection device OCPD of 30A
- Unless otherwise noted, all modules listed above include all wattages and specific models within that series. Variable wattages are represented as "xxx"
- Items in parenthesis are those that may or may not be present in a compatible module's model ID
- Slashes "/" between one or more items indicates that either of those items may be the one that is present in a module's model ID
- **Listed models can be used to achieve a Class A fire system rating, for steep slope or low slope applications, only when modules of fire typed mentioned in Appendix A, Page 27 are used.**

Electrical Bonding and Grounding Test Modules

The list below is not exhaustive of compliant modules but shows those that have been evaluated and found to be electrically compatible with the NXT UMOUNT system.

Manufacture	Module Model / Series	Manufacture	Module Model / Series	Manufacture	Module Model / Series
Q Cells	Plus, Pro, Peak, G3, G4, Peak G5(SC) , G6(+)(SC)(AC), G7, G8(+), Plus, Pro, Peak L-G2, L-G4, L-G5 Peak L-G5, L-G6, L-G7, L-G8(BFF) Q.PEAK DUO(BLK)-G6+ Q.PEAK DUO BLK-G6+/TS Q.TRON M-G2+ SERIES Q.TRON BLK M-G2+ SERIES Q.PEAK DUO XL-G11S.3 / BFG Q.PEAK DUO (BLK)-G7 Q.PEAK DUO L-(G7/G7.1/G7.2/G7.3/G7.7) Q.PEAK DUO (BLK) G8(+) Q.PEAK DUO L-(G8/G8.1/G8.2/G8.3) Q.PEAK DUO L-G8.3 (BFF/BFG/BGT) Q.PEAK DUO (BLK) ML-G9(+) Q.PEAK DUO XL-(G9/G9.2/G9.3) Q.PEAK DUO XL-G9.3/BFG Q.PEAK DUO-G10+ Q.PEAK DUO BLK G10(+) Q.PEAK DUO BLK G10+ /AC Q.PEAK DUO (BLK) ML-G10(a)(+) Q.PEAK DUO BLK ML-G10+ / t Q.PEAK DUO BLK ML-G10+ / TS Q.PEAK DUO XL-(G10/G10.2/G10.3/G10.c/ G10.d) Q.PEAK DUO XL-G10.3/BFG Q.PEAK DUO XL-G10.d/BFG Q.PEAK DUO XL-G11S Q.PEAK DUO XL-(G11.2/G11.3) Q.PEAK DUO XL-G11.3/BFG	REC	RECxxxAA (BLK/Pure/Pure-R/ Pure-RX/ Pure 2/ Pro M) RECxxxNP (N-PEAK) RECxxxNP2 (Black) RECxxxNP3 Black RECxxxPE, RECxxxPE72 RECxxxTP, RECxxxTP72 RECxxxTP2(M/BLK2) RECxxxTP2S(M)72 RECxxxTP3M (Black) RECxxxTP4 (Black)	Solar4America	S4Axxx-108MH10BB, S4Axxx-72MH5BB
	REnesola	All 60-cell modules	SolarEver USA	SE-166*83-xxxM-120N SE-182*91-xxxM-108N	
	Risen	RSM Series, RSM110-8-xxxBMDG	Solaria	PowerXT-xxxR-(AC/PD/BD) PowerXT-xxxC-PD PowerXT-xxxR-PM (AC) PowerX-400R	
	SEG Solar	SEG-xxx-BMD-HV SEG-xxx-BMD-TB SEG-XXX-BMB-TB	Solartech	STU HJT, STU PERC & Quantum PERC	
	S-Energy	SN72 & SN60 Series SL45-60BGI/BHI SL45-60MBI-xxxZ	SolarWorld	Sunmodule Protect, Sunmodule Plus/Pro	
	Seraphim	SEG-(6PA/6PB/6MA/6MA-HV/6MB/E01/E11) SRP-(6QA/6QB) SRP-xxx-6MB-HV, SRP-320-375-BMB-HV, SRP-xxx-BMC-HV, SRP-390-450-BMA-HV, SRP-xxx-BMZ-HV, SRP-390-405-BMD-HV	Sonali	SS-M-360 to 390 Series SS-M-390 to 400 Series SS-M-440 to 460 Series SS-M-430 to 460 BiFacial Series	
	Sharp	NU-SA & NU-SC Series	Sun Edison	F-Series, R-Series	
	Silfab	SLA-M, SLA-P, SLG-M, SLG-P & BC Series SILxxx(BG/BK/BL/HC/HC+/HL/HM/HN/ML/ NL/NT/NX/NU)	Suniva	MV Series & Optimus Series (35mm)	
			Sunmac Solar	M754SH-BB Series	
			SunPower	AC, X-Series, E-Series & P-Series SPR E20 435 COM (G4 Frame) Axxx-BLK-G-AC, SPR-Mxxx-H-AC	
			SunTech	STP, STPXXS - B60/Wnhb	
			Tatesun	TP572, TP596, TP654, TP660 TP672, Hipor M, Smart TD6172M, TP7G54M(H)	
			Tesla	SC, SC B, SC B1, SC B2, TxxxS, TxxxH	
			Thornova	TS-BG54	

- The frame profile must not have any feature that might interfere with the bonding devices that are integrated into the racking system
- Use with a maximum over current protection device OCPD of 30A
- Unless otherwise noted, all modules listed above include all wattages and specific models within that series. Variable wattages are represented as "xxx"
- Items in parenthesis are those that may or may not be present in a compatible module's model ID
- Slashes "/" between one or more items indicates that either of those items may be the one that is present in a module's model ID
- **Listed models can be used to achieve a Class A fire system rating, for steep slope or low slope applications, only when modules of fire typed mentioned in Appendix A, Page 27 are used.**

Electrical Bonding and Grounding Test Modules

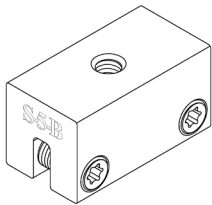
The list below is not exhaustive of compliant modules but shows those that have been evaluated and found to be electrically compatible with the NXT UMOUNT system.

Manufacture	Module Model / Series
Trina	PA05, PD05, DD05, DD06 DE06, DE09.05, DE09C.07 PD14, PE14, DD14, DE14, DE15, DE15V(II) DEG15HC.20(II), DEG15MC.20(II) DEG15VC.20(II), DE18M(II), DEG18MC.20(II) DE19, DEG19C.20
TSMC	TS-150C2 CIGSw
Universal Solar	UNI4xx-144BMH-DG UNI5xx-144BMH-DG UNIxxx-108M-BB UNIxxx-120M-BB UNIxxx-120MH
Upsolar	UP-MxxxP, UP-MxxxM(-B)
URECO	D7Kxxx(H7A/H8A), D7Mxxx(H7A/H8A) FAKxxx(C8G/E8G), FAMxxxE7G-BB FAMxxxE8G(-BB), FBKxxxM8G F6MxxxE7G-BB FBMxxxMFG-BB
Vikram	Eldora, Somera, Ultima PREXOS VSM DHT.60.AAA.05 PREXOS VSM DHT.72.AAA.05
Vina	VNS-72M1-5-xxxW-1.5, VNS-72M3-5-xxxW-1.5, VNS-144M1-5-xxxW-1.5, VNS-144M3-5-xxxW-1.5, VNS-120M3-5-xxxW-1.0

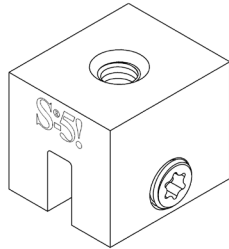
Manufacture	Module Model / Series
VSUN	VSUNxxx-60M-BB, VSUNxxx-72MH VSUN4xx-144BMH, VSUN4xx-144BMH-DG VSUN5xx-144BMH-DG, VSUNxxx-108M-BB VSUNxxx-120M-BB, VSUNxxx-120BMH VSUNxxx-132BMH, VSUNxxx-108BMH
Waaree	Arka Series WSMDi
Winaico	WST & WSP Series
Yingli	YGE & YLM Series
Yotta Energy	YSM-B450-1
ZNShine Solar	ZXM7-SHLDD144 ZXM7-SHDB144 ZXM6-72 Series, ZXM6-NH144 ZXM6-NHLDD144, ZXM7-SH108 Series

- The frame profile must not have any feature that might interfere with the bonding devices that are integrated into the racking system
- Use with a maximum over current protection device OCPD of 30A
- Unless otherwise noted, all modules listed above include all wattages and specific models within that series. Variable wattages are represented as "xxx"
- Items in parenthesis are those that may or may not be present in a compatible module's model ID
- Slashes "/" between one or more items indicates that either of those items may be the one that is present in a module's model ID
- **Listed models can be used to achieve a Class A fire system rating, for steep slope or low slope applications, only when modules of fire typed mentioned in Appendix A, Page 27 are used.**

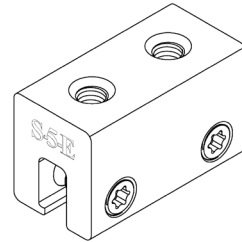
S-5! COMPONENTS



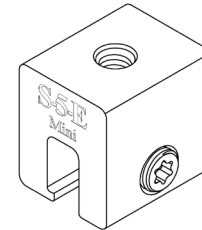
S-5-B



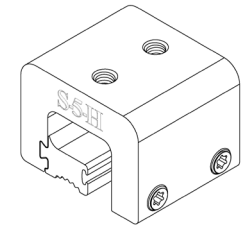
S-5-B Mini



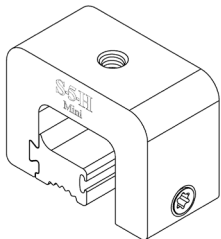
S-5-E



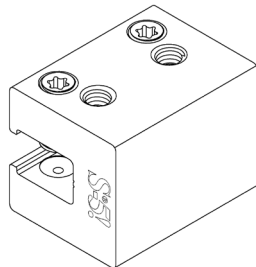
S-5-E Mini



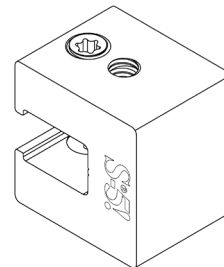
S-5-H



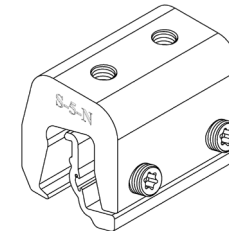
S-5-H mini



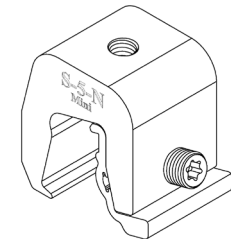
S-5-H90



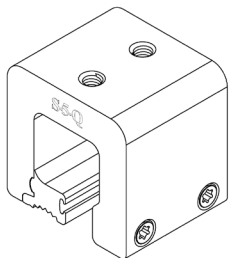
S-5-H90 Mini



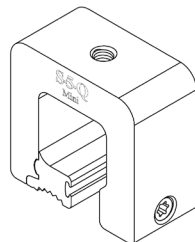
S-5-N



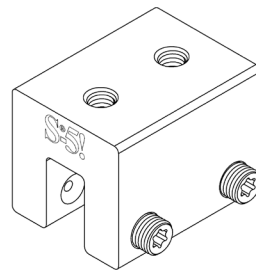
S-5-N Mini



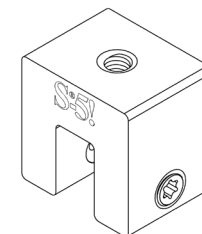
S-5-Q



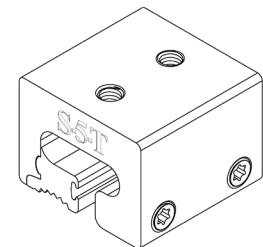
S-5-Q Mini



S-5-S

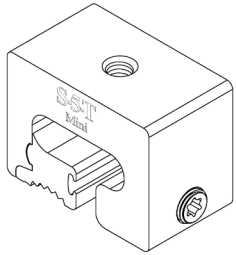


S-5-S Mini

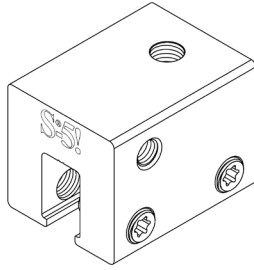


S-5-T

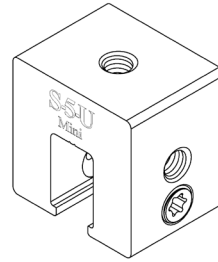
S-5! COMPONENTS



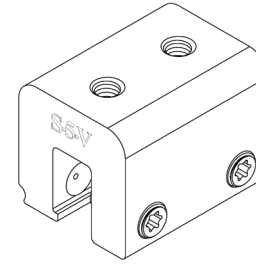
S-5-T mini



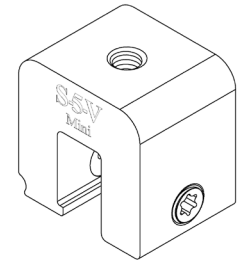
S-5-U



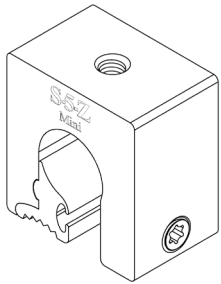
S-5-U Mini



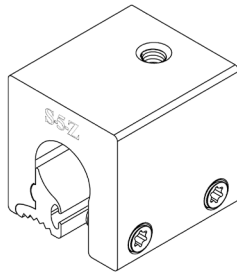
S-5-V



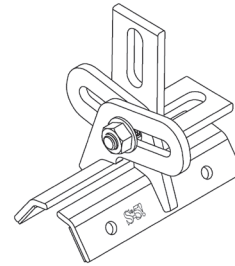
S-5-V Mini



S-5-Z



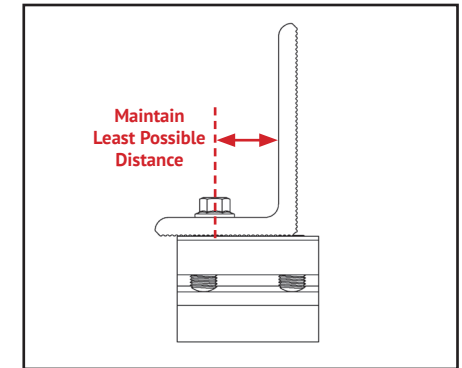
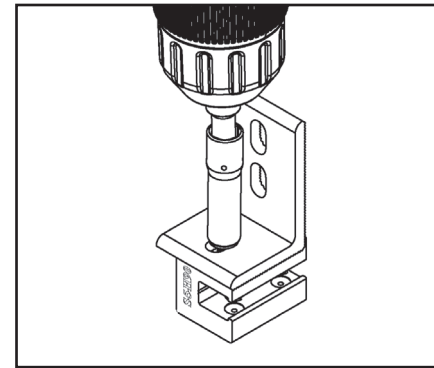
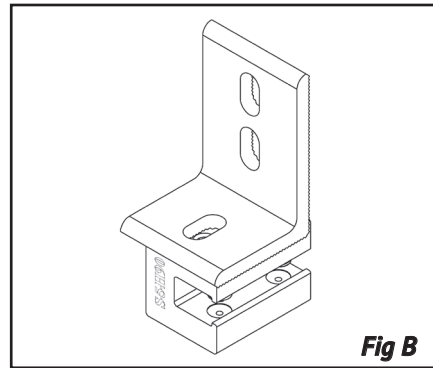
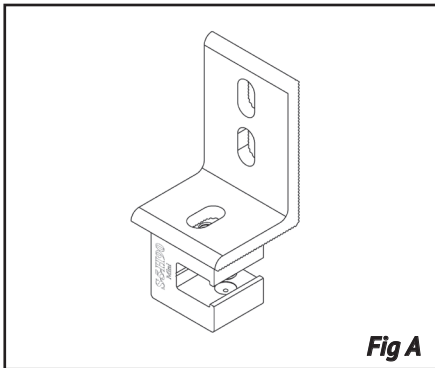
S-5-Z mini



Protea Bracket

S-5! STANDING SEAM CLAMPS AND PROTEA BRACKET INSTALLATION

STEP 1: Follow the instructions provided on <https://buys-5.com/> for installing the S-5! standing seam clamps and Protea bracket to the metal roof.



STEP 2: POSITION L-FOOT

Position L-foot on S-5-H90 Mini clamp or S-5-H90 clamp to align holes as shown in Fig A and Fig B respectively.

Similarly, position L-Foot on any S-5! clamps mentioned on [pages 32 & 33](#)

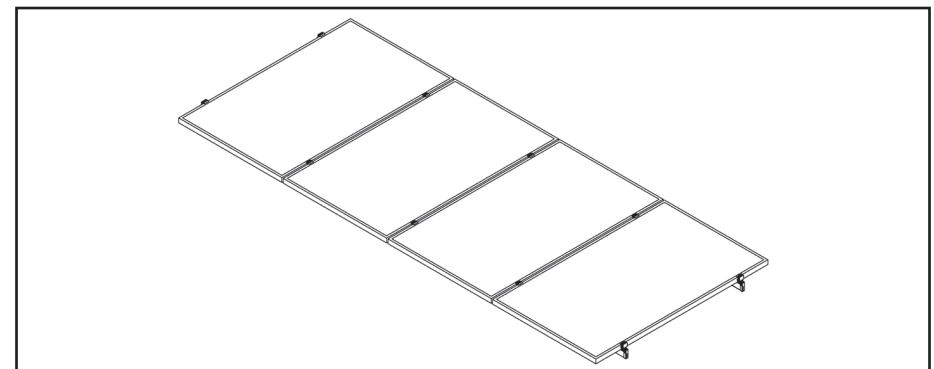
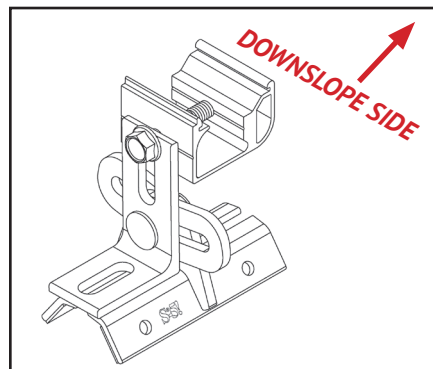
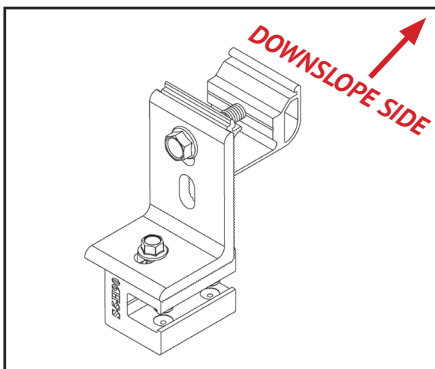
STEP 3: SECURE L-FOOT

Use M8-1.25 x 17 mm bolt to secure the L-Foot to the clamp.

Torque bolt to 13 ft-lbs

NOTE:

It is recommended to maintain least possible distance between the upright leg of the L-foot and the bolt center.



STEP 4: SECURE RAIL CLAMP TO L-FOOT OR PROTEA BRACKET

Follow the steps mentioned on [Page 12](#) to secure Rail to L-Foot or Protea Bracket

STEP 5: COMPLETE SYSTEM INSTALLATION

Complete NXT UMOUNT installation as per instructions from Rail Installation on [Page 15](#) to Finishing Touches on page 22. Ensure the system is properly grounded and bonded as per Bonding Connections & Grounding Paths section on [pages 23-26](#).