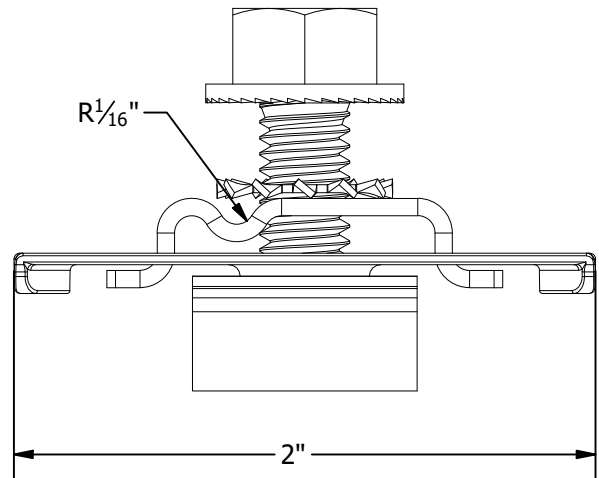
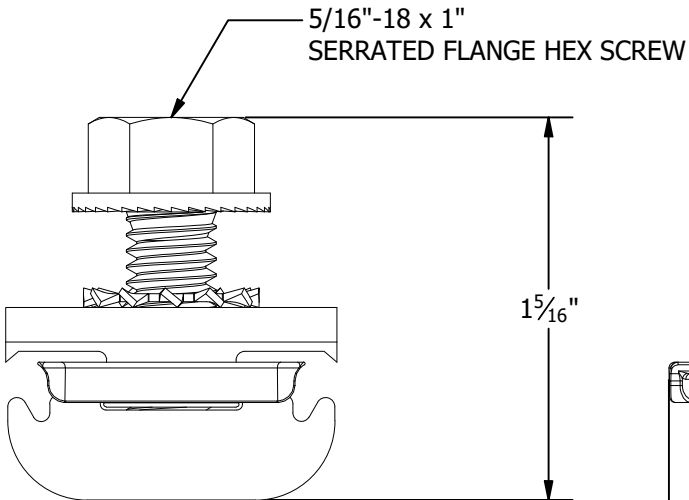
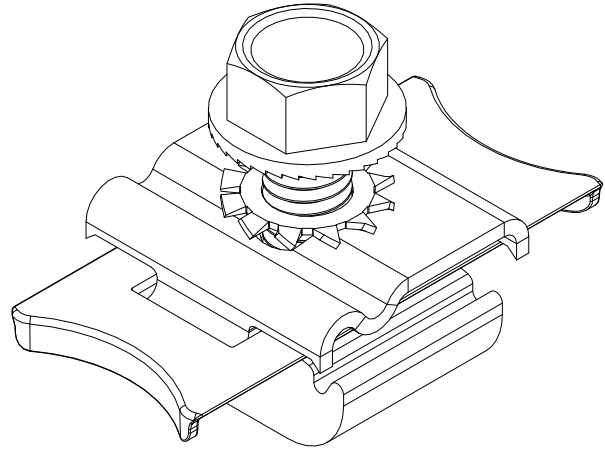
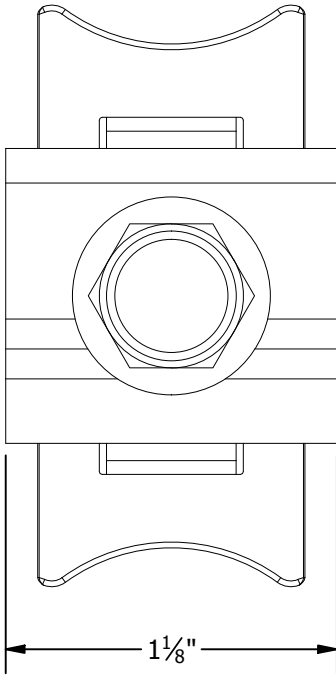


PART # TABLE	
P/N	DESCRIPTION
LUGMLPE1	NXT UMount MLPE & LUG CLAMP



PRODUCT LINE:	NXT UMount
DRAWING TYPE:	PARTS ASSEMBLY
DESCRIPTION:	MLPE & LUG CLAMP
REVISION DATE:	11/17/2022

DRAWING NOT TO SCALE
ALL DIMENSIONS ARE
NOMINAL

PRODUCT PROTECTED BY
ONE OR MORE US PATENTS
LEGAL NOTICE

NU-A06

SHEET