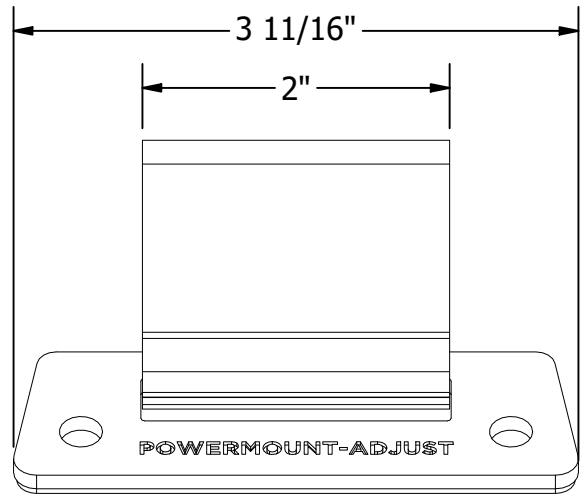
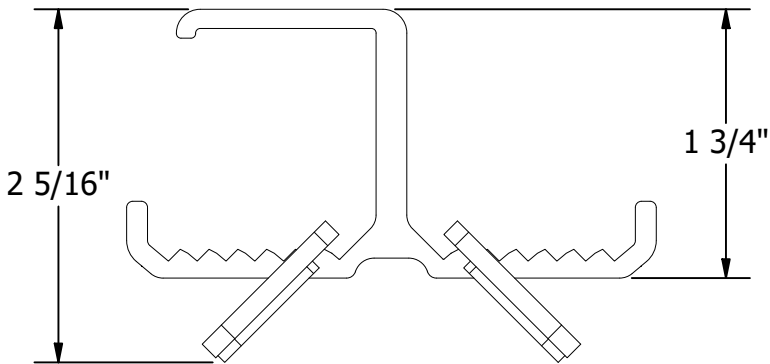
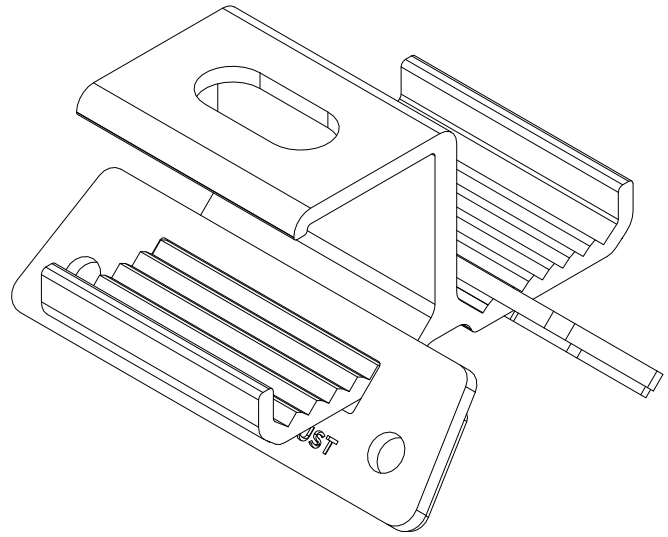
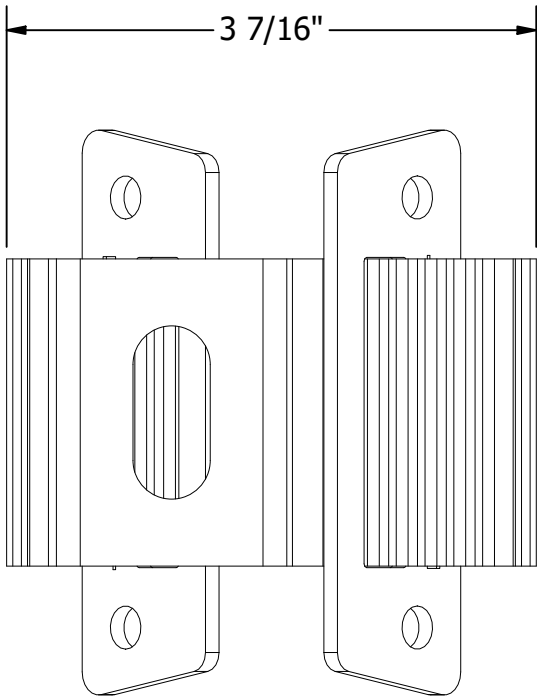


PART # TABLE	
P/N	DESCRIPTION
ES11209	PM ADJUST SLOTTED



POWERMOUNT ADJUST SLOTTED



PRODUCT LINE:	METALX
DRAWING TYPE:	PARTS ASSEMBLY
DESCRIPTION:	ROOF ATTACHMENT
REVISION DATE:	4/21/2023

DRAWING NOT TO SCALE
ALL DIMENSIONS ARE
NOMINAL

PRODUCT PROTECTED BY
ONE OR MORE US PATENTS
LEGAL NOTICE

MX-A08

SHEET