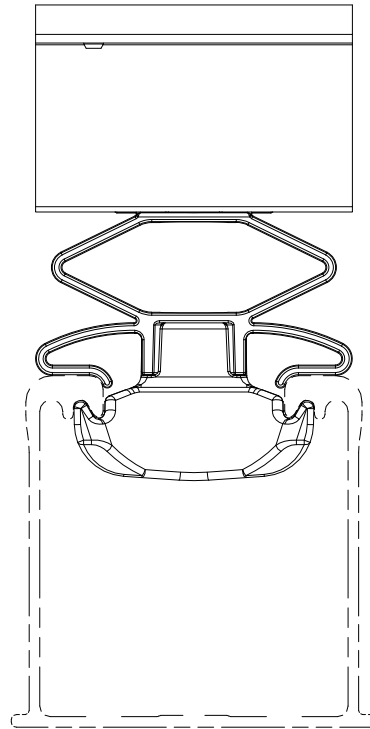
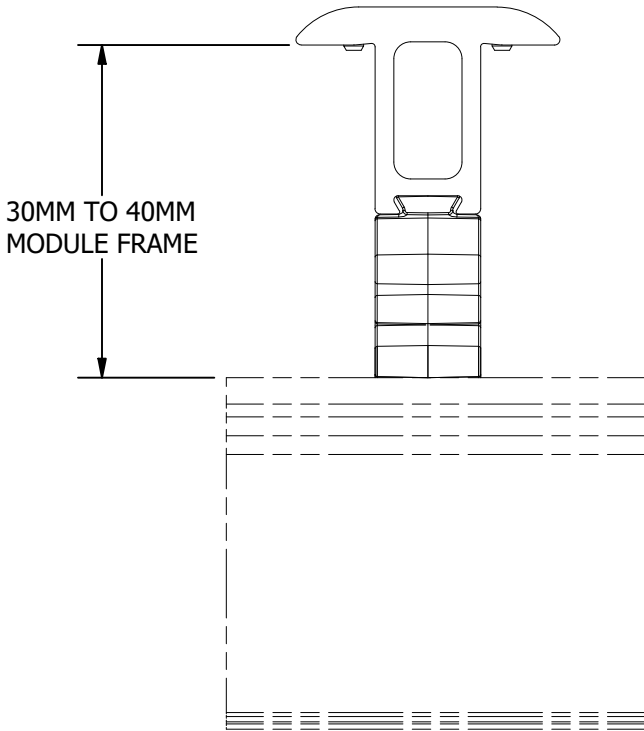
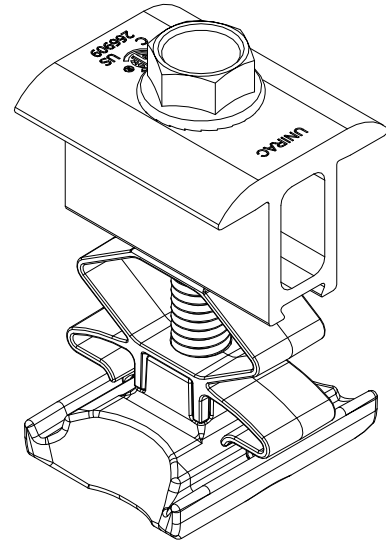
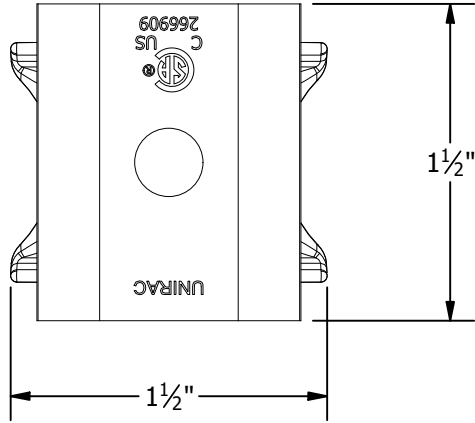


| PART # TABLE |                        |
|--------------|------------------------|
| P/N          | DESCRIPTION            |
| CCLAMPM1     | NXT COMBO CLAMP - MILL |
| CCLAMPD1     | NXT COMBO CLAMP - DARK |



|                |                 |
|----------------|-----------------|
| PRODUCT LINE:  | NXT UMount      |
| DRAWING TYPE:  | PART & ASSEMBLY |
| DESCRIPTION:   | COMBO CLAMP     |
| REVISION DATE: | 11/17/2022      |

DRAWING NOT TO SCALE  
ALL DIMENSIONS ARE  
NOMINAL

PRODUCT PROTECTED BY  
ONE OR MORE US PATENTS  
LEGAL NOTICE

NU-A03

SHEET