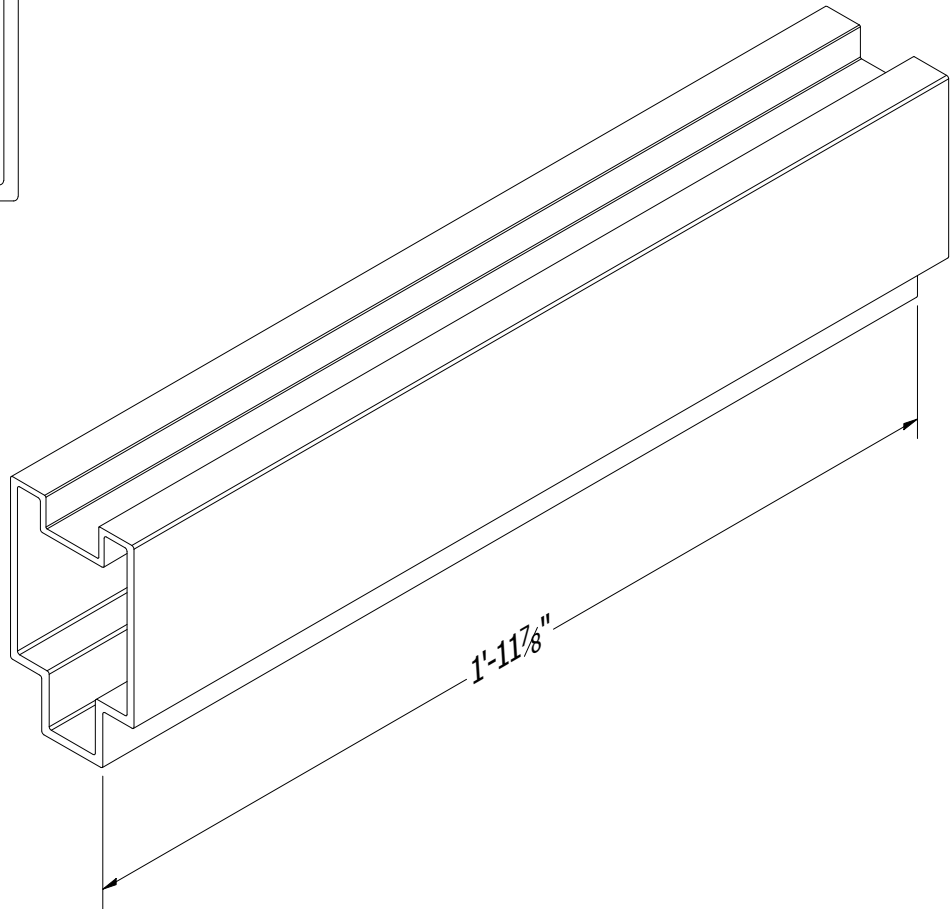
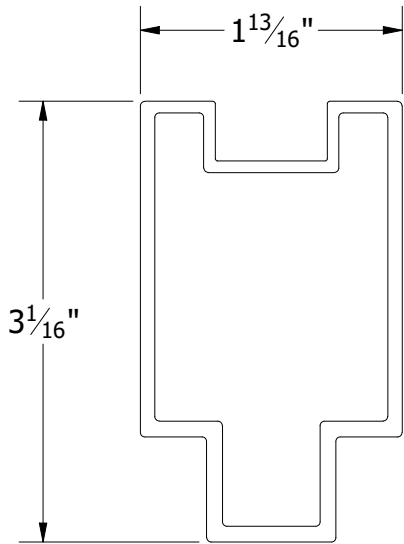


PART # TABLE	
P/N	DESCRIPTION
404014	EAST-WEST BEAM SPLICE



PRODUCT LINE:	GFT
DRAWING TYPE:	PART DETAIL
DESCRIPTION:	EAST-WEST BEAM SPLICE
REVISION DATE:	10/23/2019

DRAWING NOT TO SCALE
ALL DIMENSIONS ARE
NOMINAL

PRODUCT PROTECTED BY
ONE OR MORE US PATENTS

LEGAL NOTICE

GFT-P04

SHEET