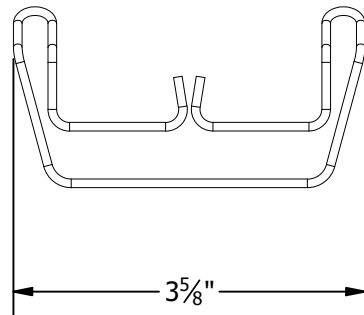
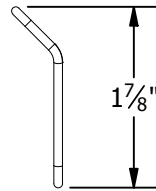
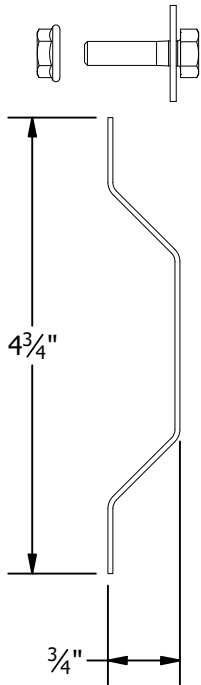
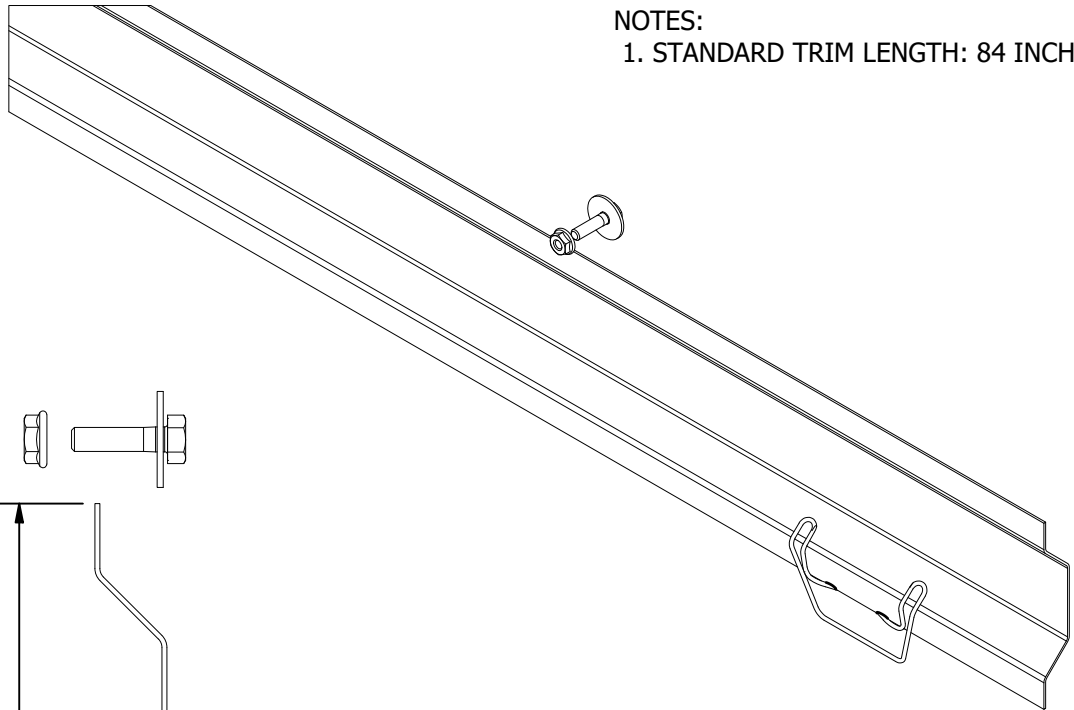


NOTES:

1. STANDARD TRIM LENGTH: 84 INCH



WIND DEFLECTOR &
HRDWR FASTENER

WIRE CLIP FOR WIND DEFLECTOR

| PART # TABLE | | |
|--------------|----------------------------|--------|
| P/N | DESCRIPTION | LENGTH |
| 310810 | RM5 WIND DEFLECTOR | 84" |
| 310850 | RM5 WD WIRE MGMT CLIP | - |
| 310861 | RM5 WIND DEFLECTOR HDW KIT | - |



| | |
|----------------|-------------------------------------|
| PRODUCT LINE: | RM5 ROOFMOUNT |
| DRAWING TYPE: | PART |
| DESCRIPTION: | WIND DEFLECTOR, HDWR & WIRE CLIP |
| REVISION DATE: | 2/10/2020 |

DRAWING NOT TO SCALE
ALL DIMENSIONS ARE
NOMINAL

PRODUCT PROTECTED BY
ONE OR MORE US PATENTS
LEGAL NOTICE

RM5-P02

SHEET