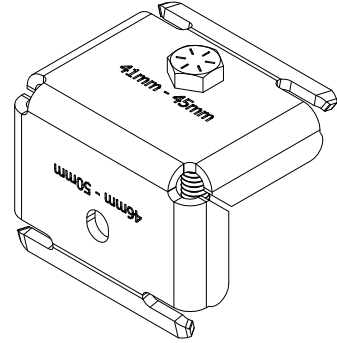
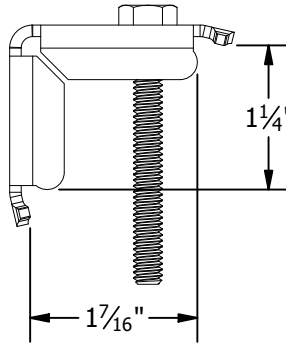
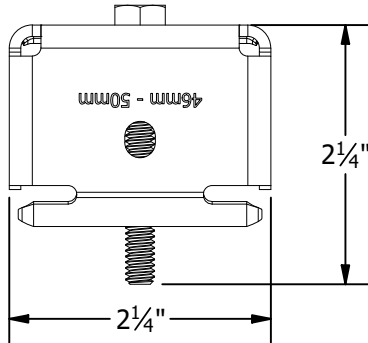
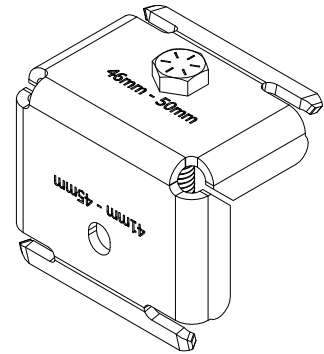
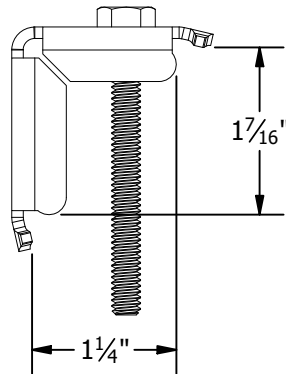
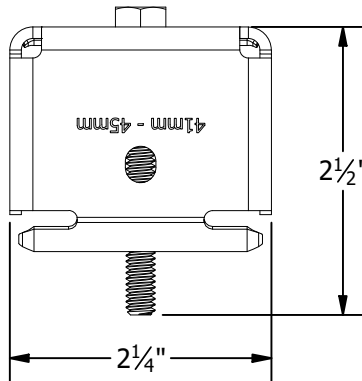


310820 - ENDCLAMP

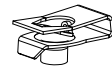


310821 - ENDCLAMP



310822 - ENDCLAMP

PART # TABLE	
P/N	DESCRIPTION
310820	RM5/DT ENDCLAMP 30-40MM
310821	RM5/DT ENDCLAMP 41-45MM
310822	RM5/DT ENDCLAMP 46-50MM
310860	RM5/DT 1/4-20 CLIP U-NUT SS 18-8



310860 - 1/4-20 CLIP U-NUT



PRODUCT LINE:	RM5 ROOFMOUNT
DRAWING TYPE:	ASSEMBLY
DESCRIPTION:	ENDCLAMPS & 1/4" CLIP U-NUT
REVISION DATE:	2/10/2020

DRAWING NOT TO SCALE  
ALL DIMENSIONS ARE  
NOMINAL

PRODUCT PROTECTED BY  
ONE OR MORE US PATENTS  
LEGAL NOTICE

RM5-A05

SHEET