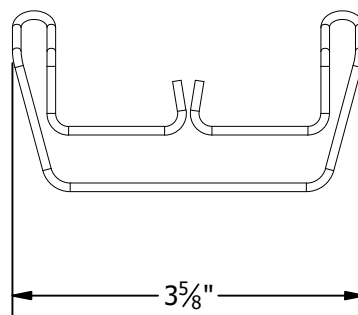
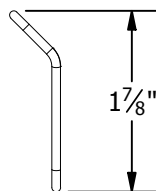
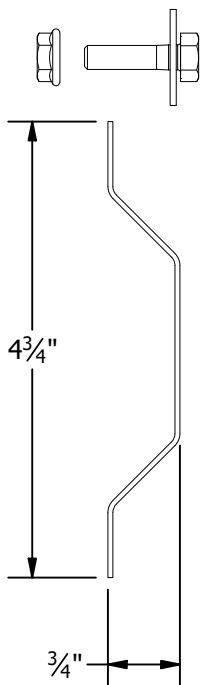
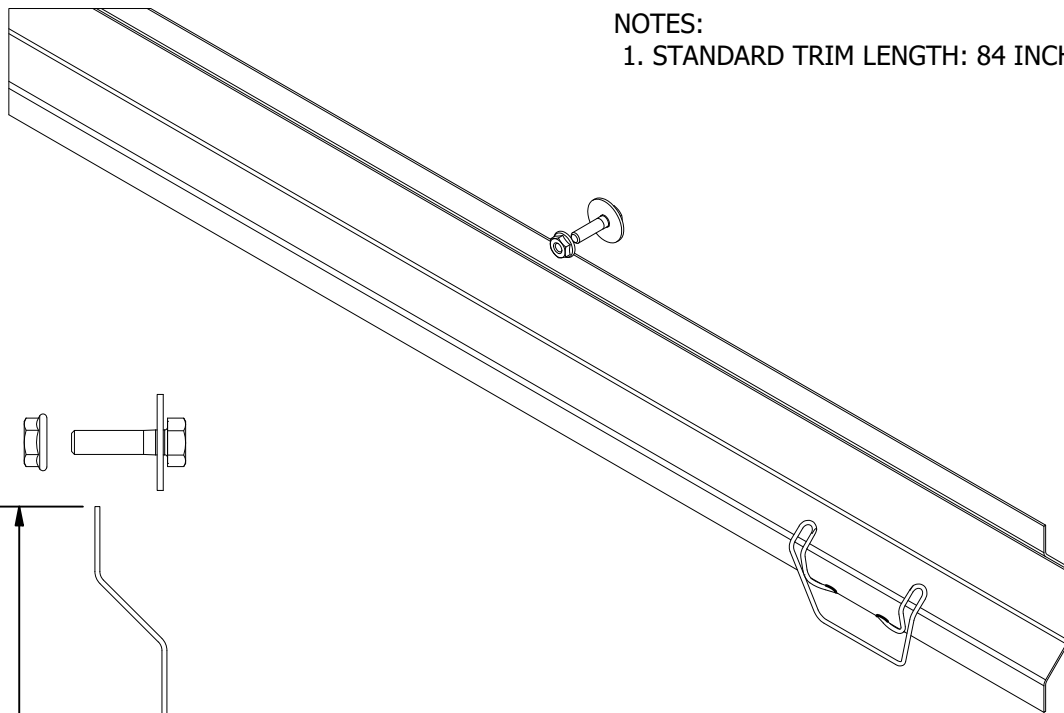


NOTES:

1. STANDARD TRIM LENGTH: 84 INCH



WIND DEFLECTOR &  
HRDWR FASTENER

WIRE CLIP FOR WIND DEFLECTOR

PART # TABLE		
P/N	DESCRIPTION	LENGTH
310810	RM5 WIND DEFLECTOR	84"
310850	RM5 WD WIRE MGMT CLIP	-
310861	RM5 WIND DEFLECTOR HDW KIT	-



PRODUCT LINE:	RM5 ROOFMOUNT
DRAWING TYPE:	PART
DESCRIPTION:	WIND DEFLECTOR, HDWR & WIRE CLIP
REVISION DATE:	2/10/2020

DRAWING NOT TO SCALE  
ALL DIMENSIONS ARE  
NOMINAL

PRODUCT PROTECTED BY  
ONE OR MORE US PATENTS  
LEGAL NOTICE

RM5-P02

SHEET