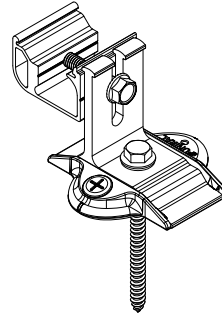
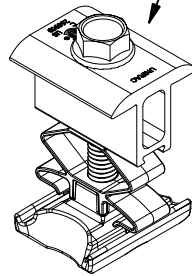
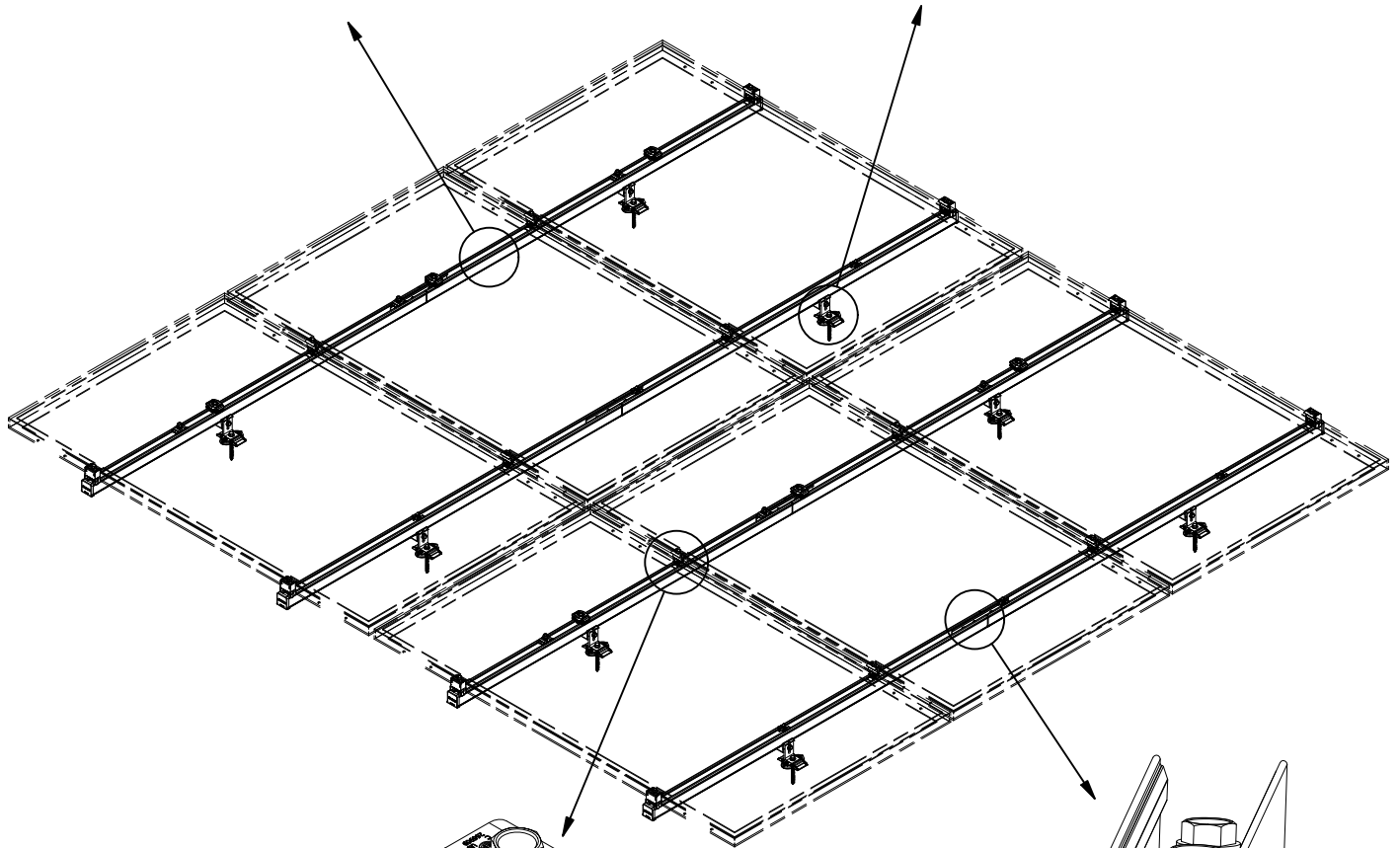


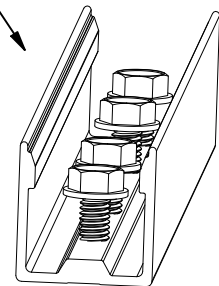
RAIL
SEE PAGE NU-P01



STRONGHOLD ATTACHMENT KIT
SEE PAGE NU-A04



COMBO CLAMP
SEE PAGE NU-A03



RAIL SPLICE
SEE PAGE NU-P02



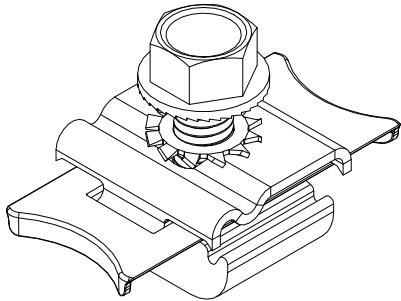
PRODUCT LINE:	NXT UMount
DRAWING TYPE:	PART & ASSEMBLY
DESCRIPTION:	MODULE ASSEMBLY
REVISION DATE:	11/17/2022

DRAWING NOT TO SCALE
ALL DIMENSIONS ARE
NOMINAL

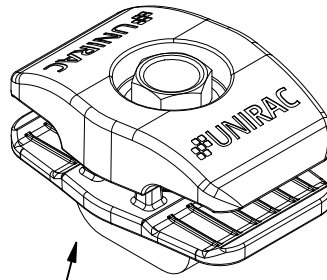
PRODUCT PROTECTED BY
ONE OR MORE US PATENTS
LEGAL NOTICE

NU-A01

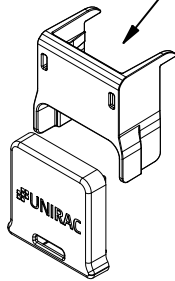
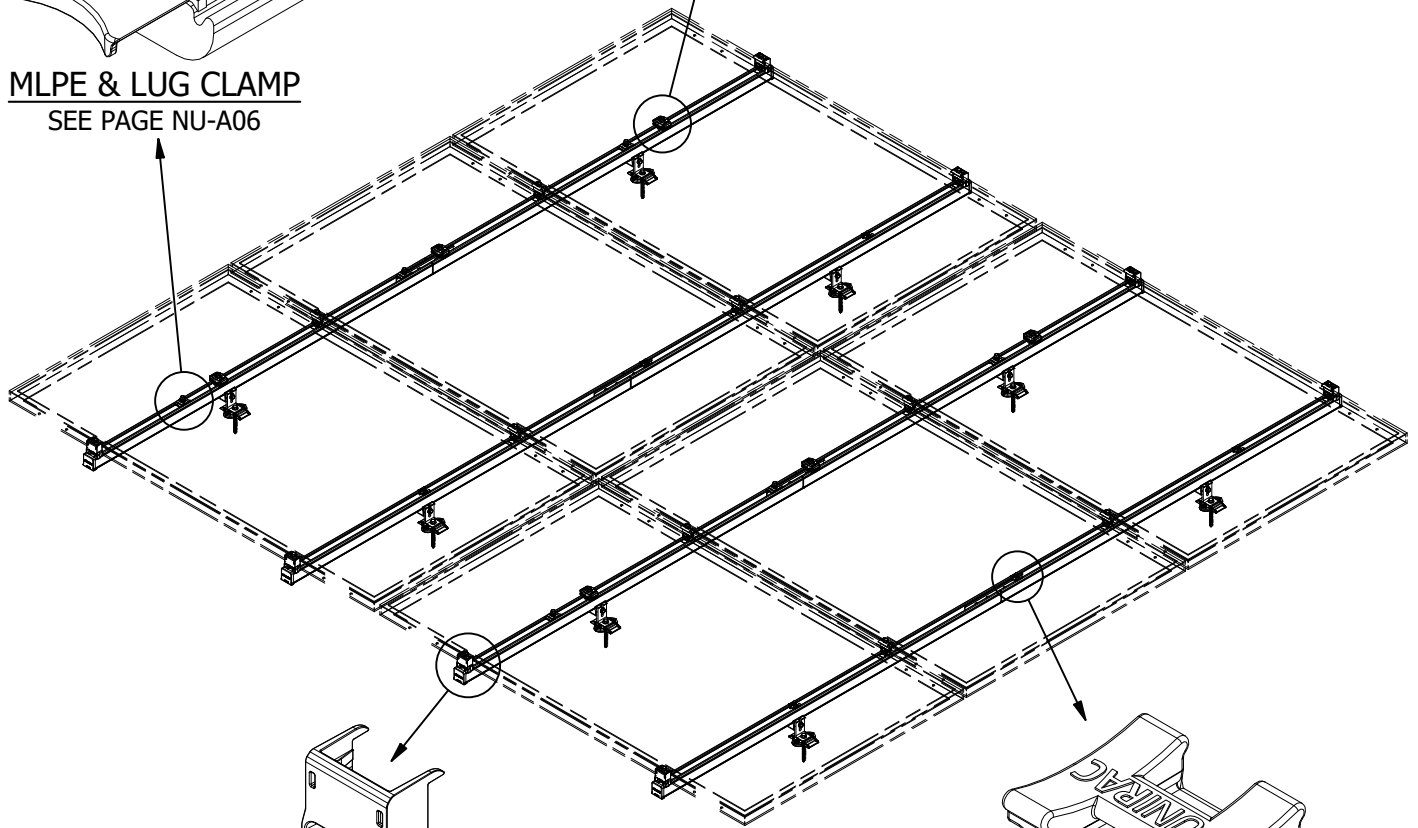
SHEET



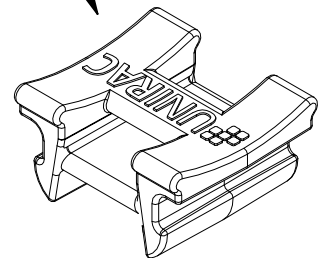
MLPE & LUG CLAMP
SEE PAGE NU-A06



NS WIRE MGMT CLIP
SEE PAGE NU-A07



RAIL & CLAMP CAP KIT
SEE PAGE NU-A09



WIRE MGMT CLIP
SEE PAGE NU-A08



PRODUCT LINE:	NXT UMount
DRAWING TYPE:	PART & ASSEMBLY
DESCRIPTION:	MODULE ASSEMBLY
REVISION DATE:	11/17/2022

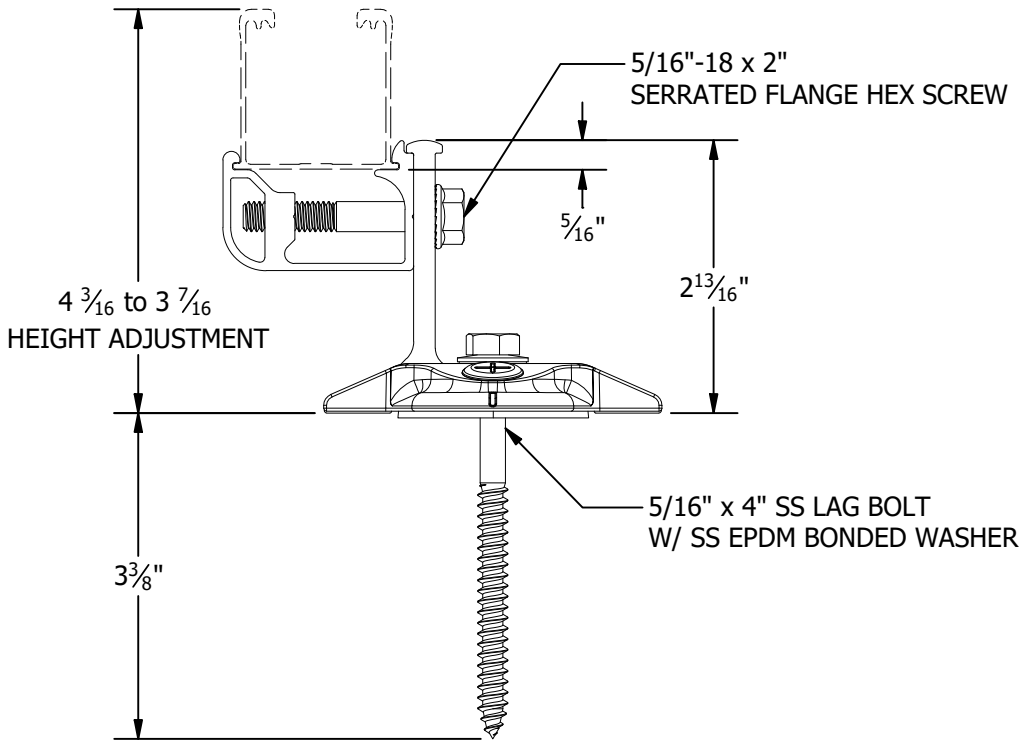
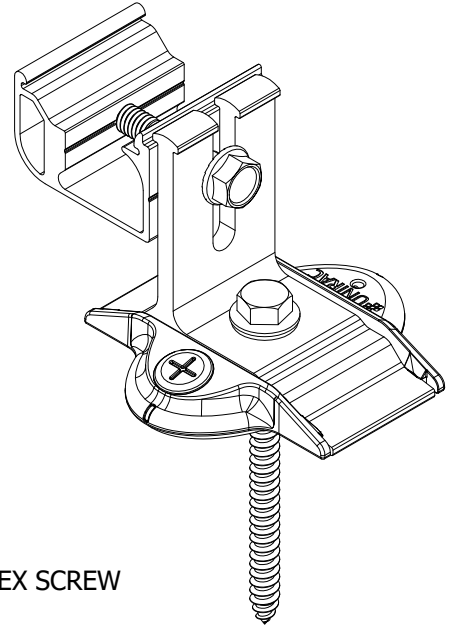
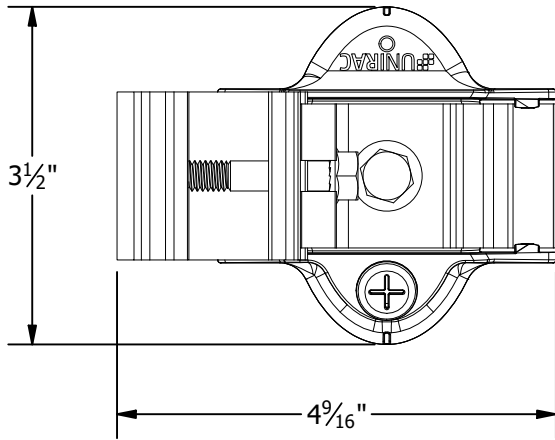
DRAWING NOT TO SCALE
ALL DIMENSIONS ARE
NOMINAL

PRODUCT PROTECTED BY
ONE OR MORE US PATENTS
LEGAL NOTICE

NU-A02

SHEET

PART # TABLE	
P/N	DESCRIPTION
SHCPKTM1	STRONGHOLD ATT KIT COMP MILL
SHCPKTD1	STRONGHOLD ATT KIT COMP DRK
SHCPKTM1-NS	STRONGHOLD ATT COMP MILL (NS)
SHCPKTD1-NS	STRONGHOLD ATT COMP DRK (NS)



PRODUCT LINE:	NXT UMount
DRAWING TYPE:	PARTS ASSEMBLY
DESCRIPTION:	STRONGHOLD ATTACHMENT
REVISION DATE:	11/17/2022

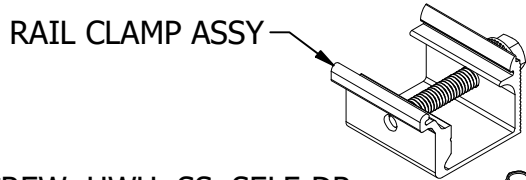
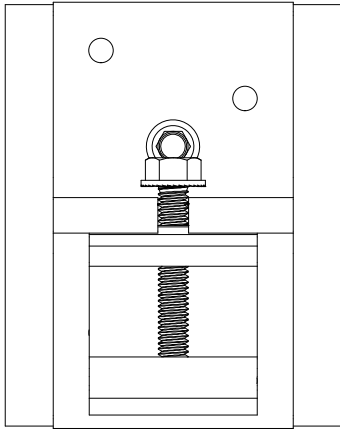
DRAWING NOT TO SCALE
ALL DIMENSIONS ARE
NOMINAL

PRODUCT PROTECTED BY
ONE OR MORE US PATENTS
LEGAL NOTICE

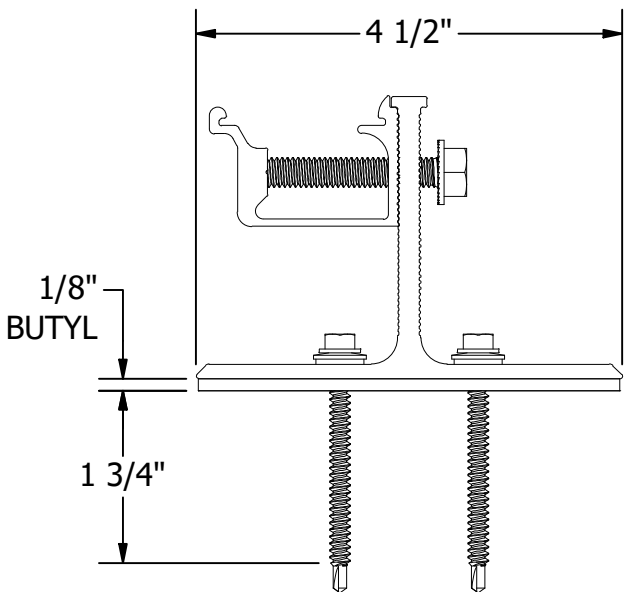
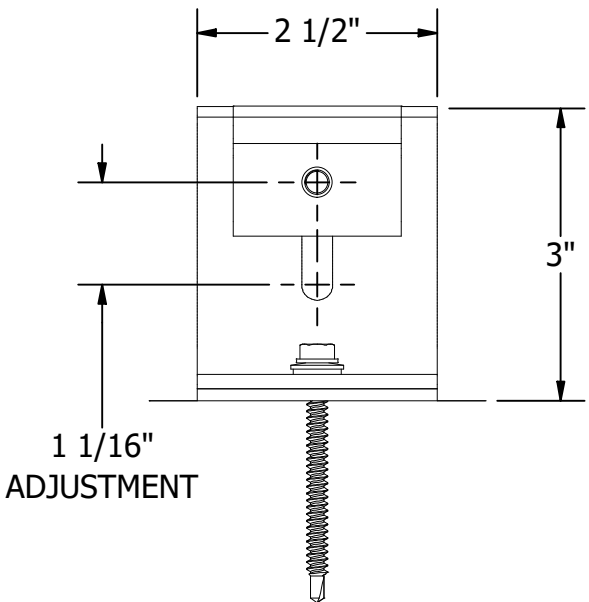
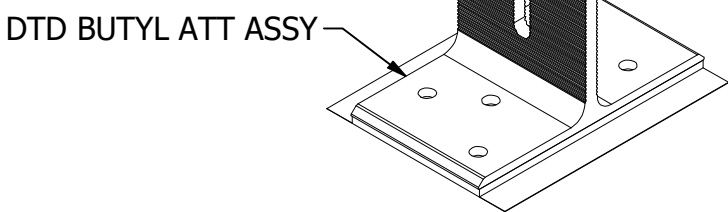
NU-A04

SHEET

PART # TABLE	
P/N	DESCRIPTION
SBUTYLM1	STRONGHOLD ATT W/BUTYL, MILL
SBUTYLD1	STRONGHOLD ATT W/BUTYL, DARK



2X #12-14 SCREW, HWH, SS, SELF-DR
W/ #12 EPDM WASHER



PRODUCT LINE:	NXT UMount
DRAWING TYPE:	PARTS
DESCRIPTION:	SH BUTYL ATTACHMENT
REVISION DATE:	2/3/2023

DRAWING NOT TO SCALE
ALL DIMENSIONS ARE
NOMINAL

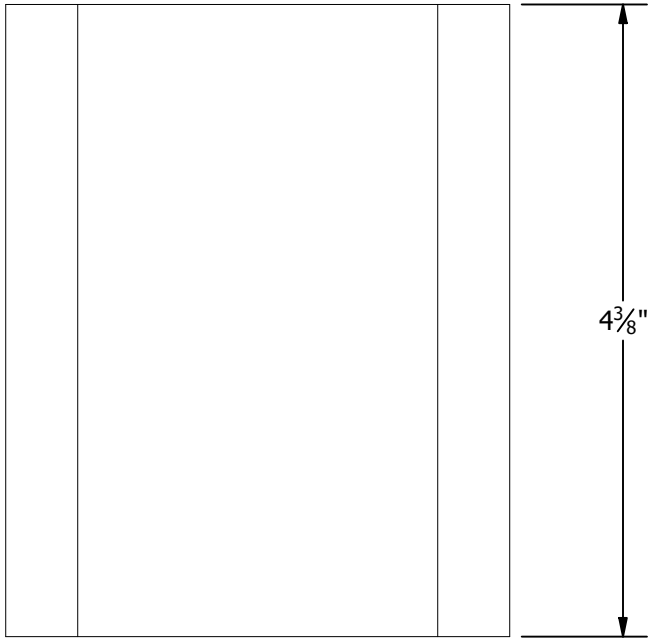
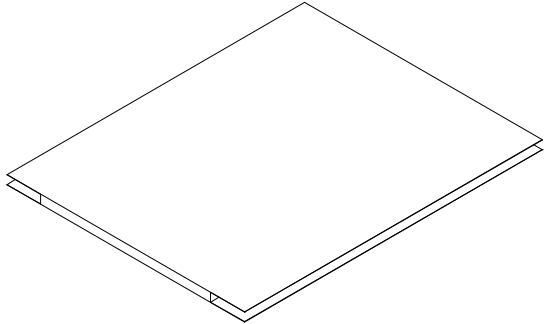
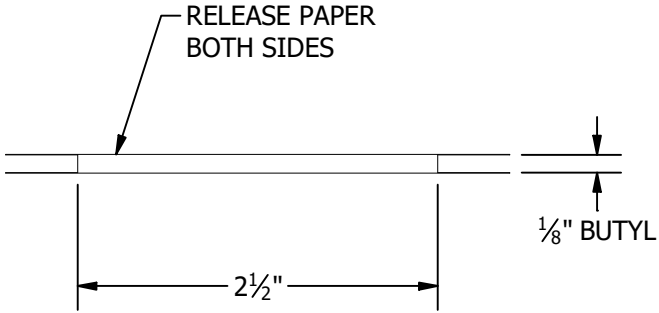
PRODUCT PROTECTED BY
ONE OR MORE US PATENTS

LEGAL NOTICE

NU-A10

SHEET

PART # TABLE	
P/N	DESCRIPTION
XTRABUTL-SH	EXTRA BUTYL PAD - SH KIT



PRODUCT LINE:	NXT UMount
DRAWING TYPE:	PARTS
DESCRIPTION:	BUTYL PAD
REVISION DATE:	1/10/2023

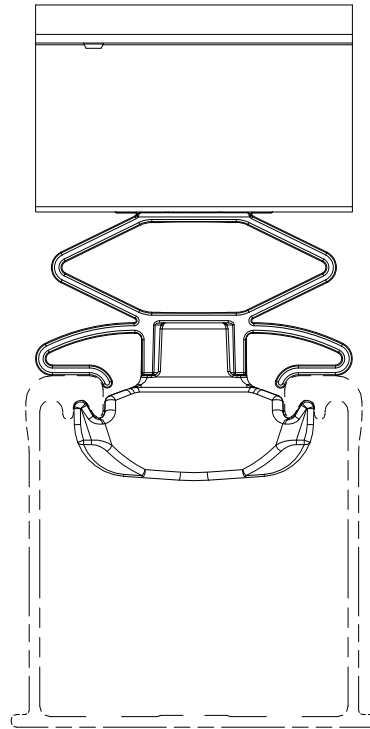
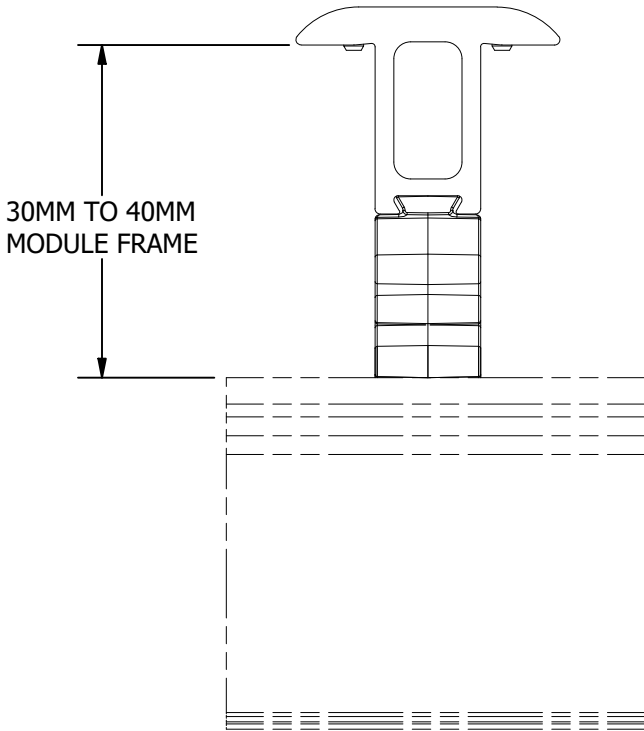
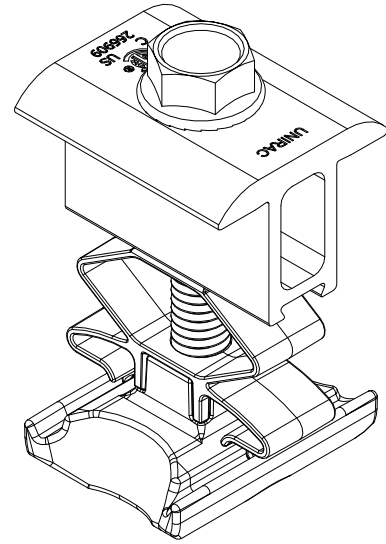
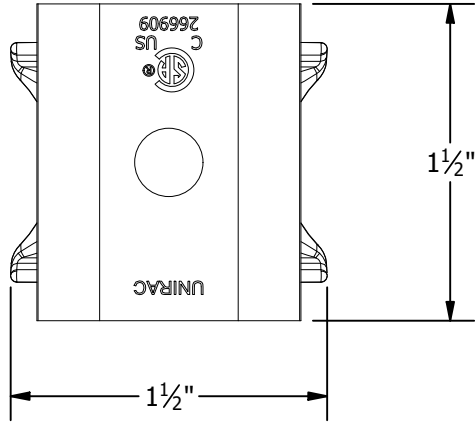
DRAWING NOT TO SCALE
ALL DIMENSIONS ARE
NOMINAL

PRODUCT PROTECTED BY
ONE OR MORE US PATENTS
LEGAL NOTICE

NU-P03

SHEET

PART # TABLE	
P/N	DESCRIPTION
CCLAMPM1	NXT COMBO CLAMP - MILL
CCLAMPD1	NXT COMBO CLAMP - DARK



PRODUCT LINE:	NXT UMount
DRAWING TYPE:	PART & ASSEMBLY
DESCRIPTION:	COMBO CLAMP
REVISION DATE:	11/17/2022

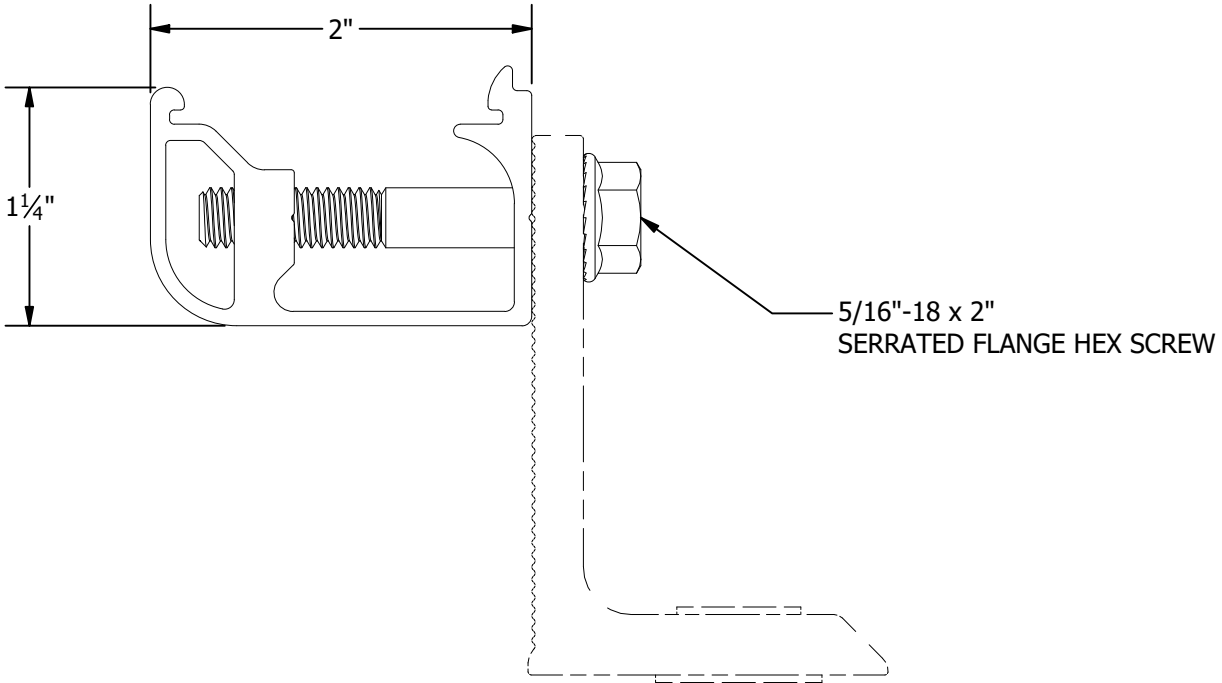
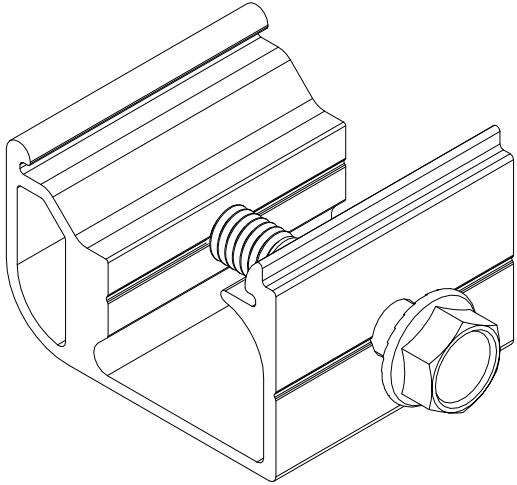
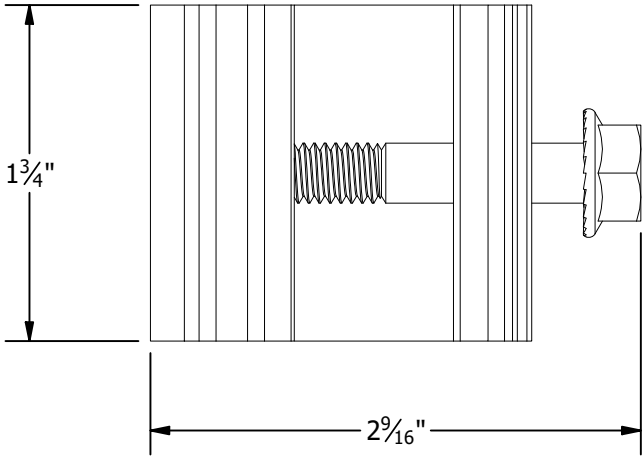
DRAWING NOT TO SCALE
ALL DIMENSIONS ARE
NOMINAL

PRODUCT PROTECTED BY
ONE OR MORE US PATENTS
LEGAL NOTICE

NU-A03

SHEET

PART # TABLE	
P/N	DESCRIPTION
SHCLMPM1	STRONGHOLD RAIL CLAMP MILL
SHCLMPD1	STRONGHOLD RAIL CLAMP DRK



PRODUCT LINE:	NXT UMount
DRAWING TYPE:	PARTS ASSEMBLY
DESCRIPTION:	STRONGHOLD RAIL CLAMP
REVISION DATE:	11/17/2022

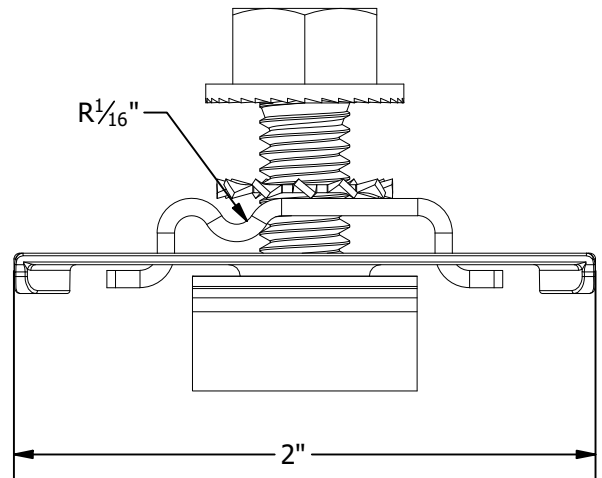
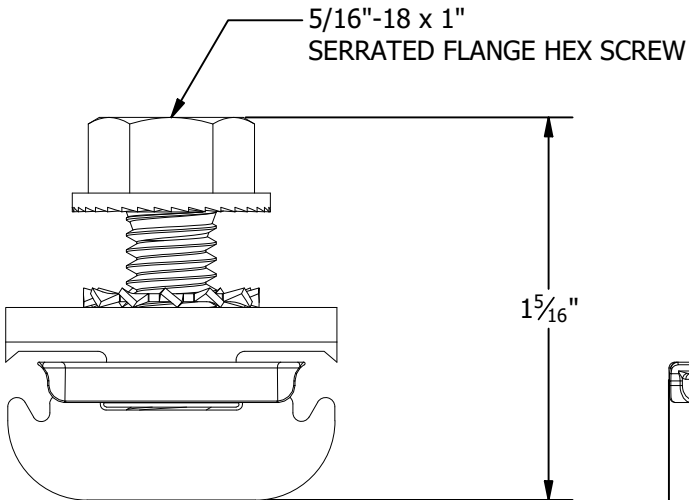
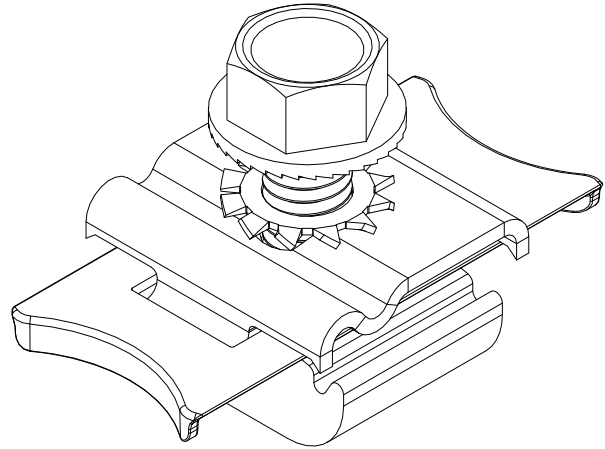
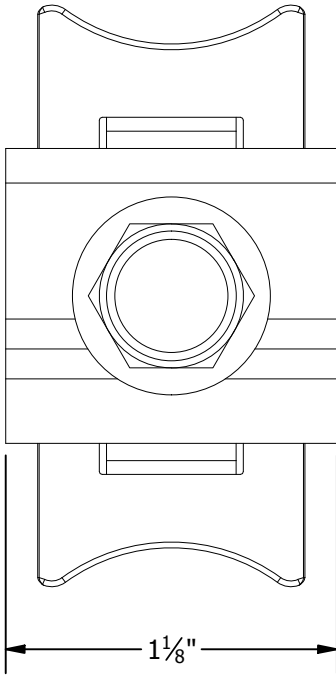
DRAWING NOT TO SCALE
ALL DIMENSIONS ARE
NOMINAL

PRODUCT PROTECTED BY
ONE OR MORE US PATENTS
LEGAL NOTICE

NU-A05

SHEET

PART # TABLE	
P/N	DESCRIPTION
LUGMLPE1	NXT UMount MLPE & LUG CLAMP



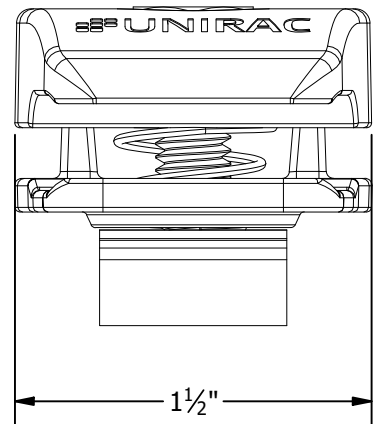
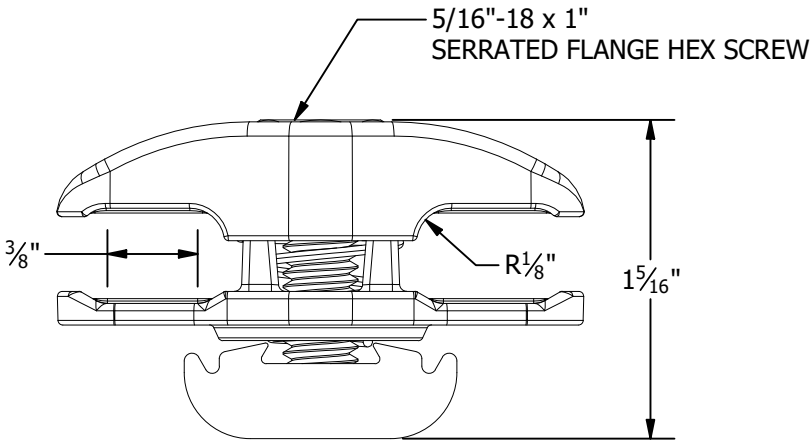
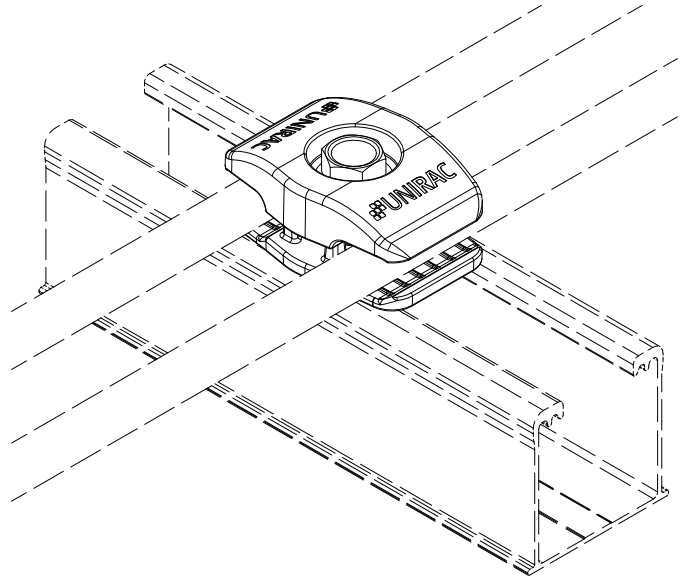
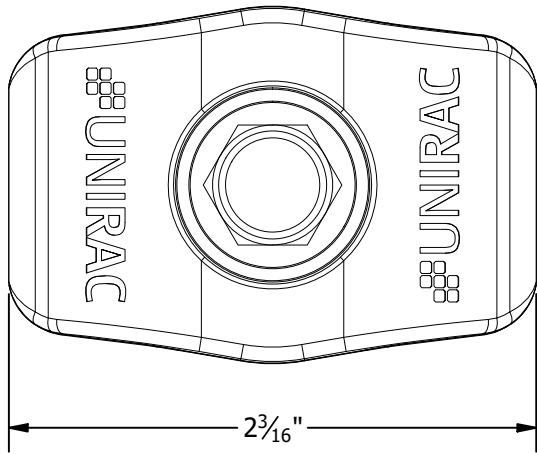
PRODUCT LINE:	NXT UMount
DRAWING TYPE:	PARTS ASSEMBLY
DESCRIPTION:	MLPE & LUG CLAMP
REVISION DATE:	11/17/2022

DRAWING NOT TO SCALE
ALL DIMENSIONS ARE
NOMINAL

PRODUCT PROTECTED BY
ONE OR MORE US PATENTS
LEGAL NOTICE

NU-A06
SHEET

PART # TABLE	
P/N	DESCRIPTION
WRMCNSD1	NXT UMount NS WIRE MGMT CLIP



PRODUCT LINE:	NXT UMount
DRAWING TYPE:	PARTS ASSEMBLY
DESCRIPTION:	NS WIRE MGMT CLIP
REVISION DATE:	11/17/2022

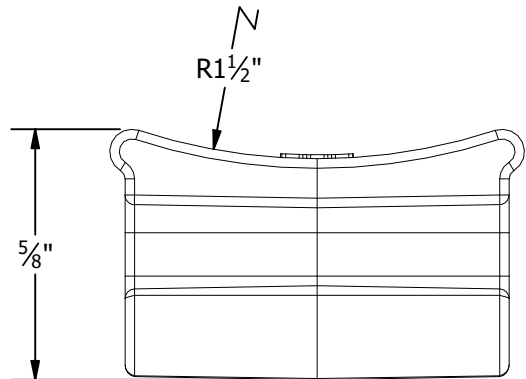
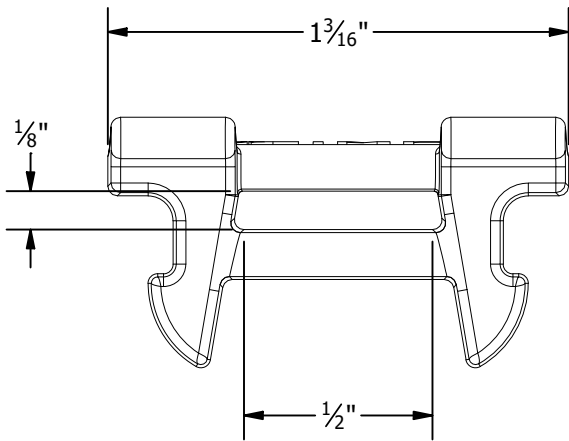
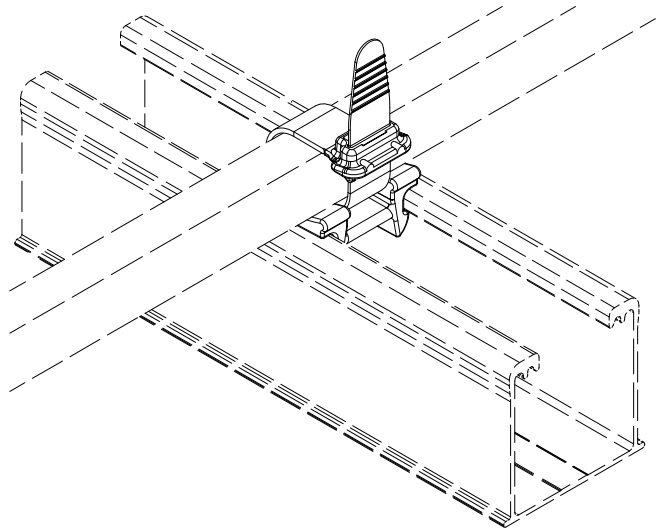
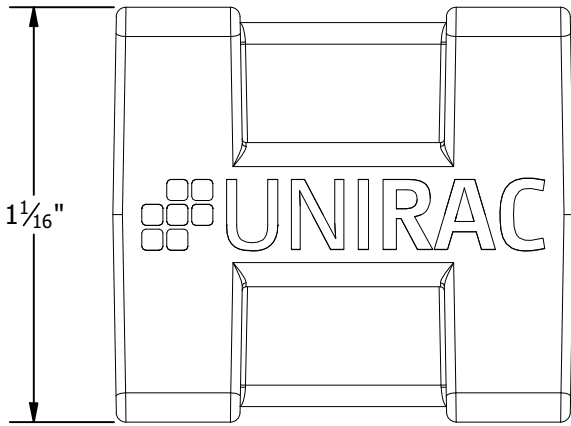
DRAWING NOT TO SCALE
ALL DIMENSIONS ARE
NOMINAL

PRODUCT PROTECTED BY
ONE OR MORE US PATENTS
LEGAL NOTICE

NU-A07

SHEET

PART # TABLE	
P/N	DESCRIPTION
WRMCLPD1	NXT UMount WIRE MGMT CLIP



PRODUCT LINE:	NXT UMount
DRAWING TYPE:	PARTS
DESCRIPTION:	WIRE MGMT CLIP
REVISION DATE:	11/17/2022

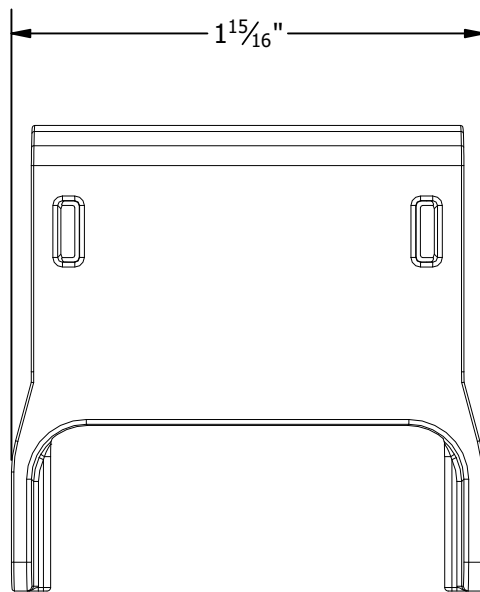
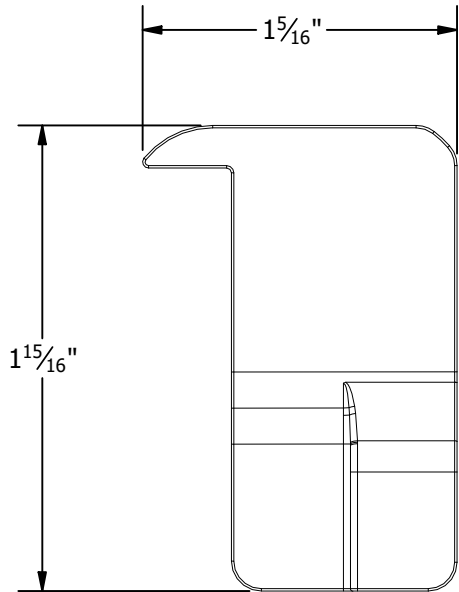
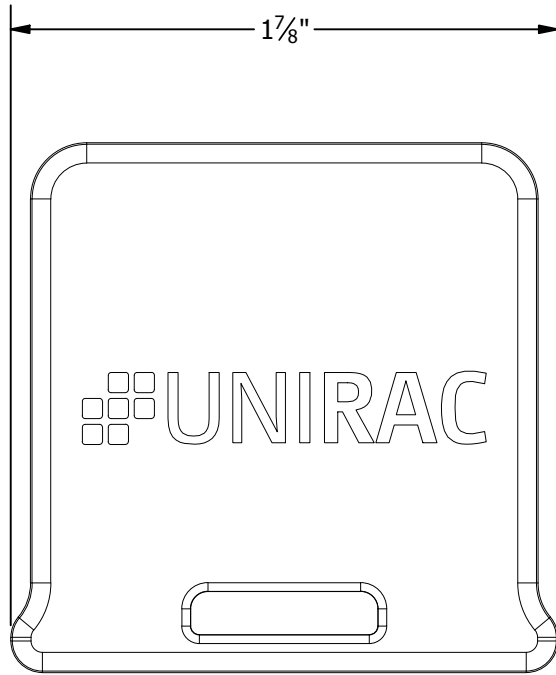
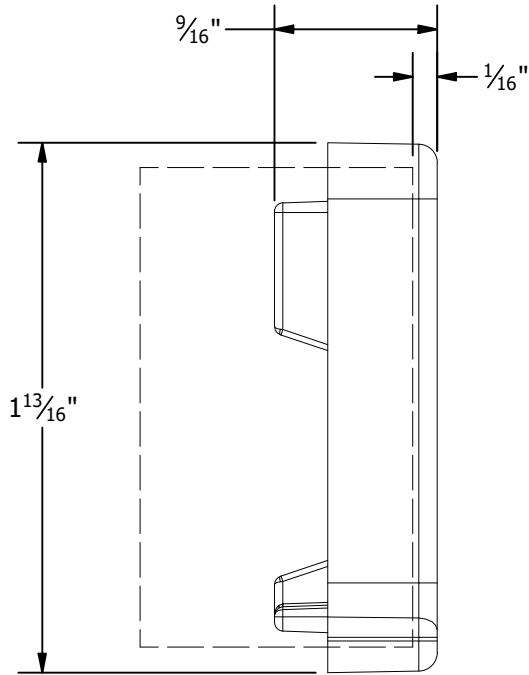
DRAWING NOT TO SCALE
ALL DIMENSIONS ARE
NOMINAL

PRODUCT PROTECTED BY
ONE OR MORE US PATENTS
LEGAL NOTICE

NU-A08

SHEET

PART # TABLE	
P/N	DESCRIPTION
ENDCAPD1	NXT UMOUNT RL & CLMP CAP KIT



PRODUCT LINE:	NXT UMOUNT
DRAWING TYPE:	PARTS
DESCRIPTION:	RAIL & CLAMP CAP
REVISION DATE:	11/17/2022

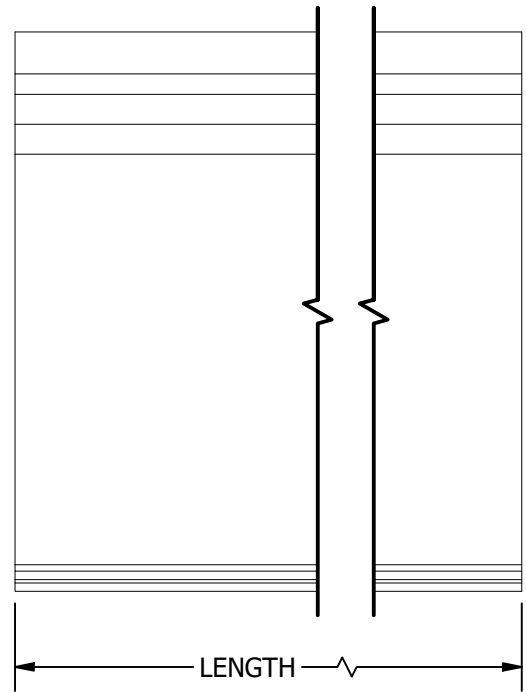
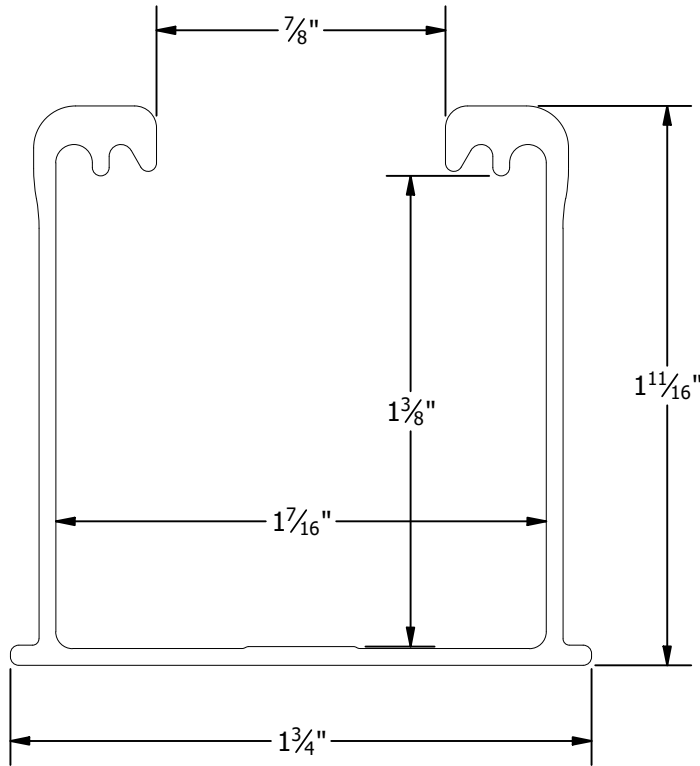
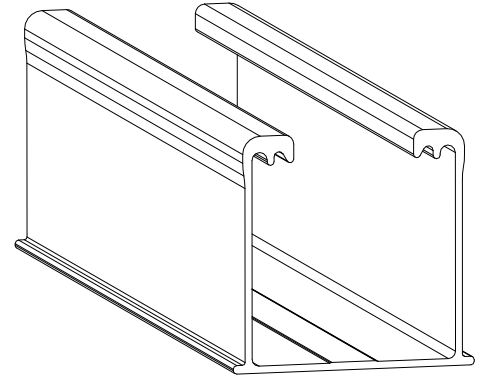
DRAWING NOT TO SCALE
ALL DIMENSIONS ARE
NOMINAL

PRODUCT PROTECTED BY
ONE OR MORE US PATENTS
LEGAL NOTICE

NU-A09

SHEET

PART # TABLE		
P/N	DESCRIPTION	LENGTH
084RLM1	NXT UMOUNT RAIL 84" MILL	84"
084RLD1	NXT UMOUNT RAIL 84" DARK	84"
168RLM1	NXT UMOUNT RAIL 168" MILL	168"
168RLD1	NXT UMOUNT RAIL 168" DARK	168"
208RLM1	NXT UMOUNT RAIL 208" MILL	208"
208RLD1	NXT UMOUNT RAIL 208" DARK	208"
246RLM1	NXT UMOUNT RAIL 246" MILL	246"
246RLD1	NXT UMOUNT RAIL 246" DARK	246"
171RLM1	NXT UMOUNT RAIL 171" MILL	171.50"
171RLD1	NXT UMOUNT RAIL 171" DARK	171.50"



PRODUCT LINE:	NXT UMOUNT
DRAWING TYPE:	PART DETAIL
DESCRIPTION:	RAIL
REVISION DATE:	11/17/2022

DRAWING NOT TO SCALE
ALL DIMENSIONS ARE
NOMINAL

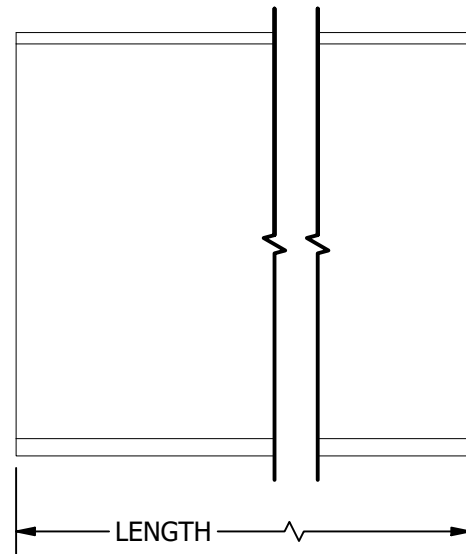
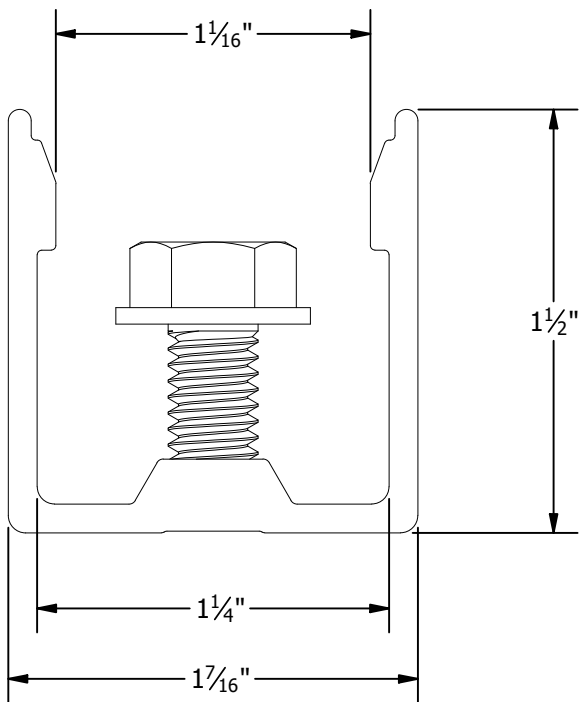
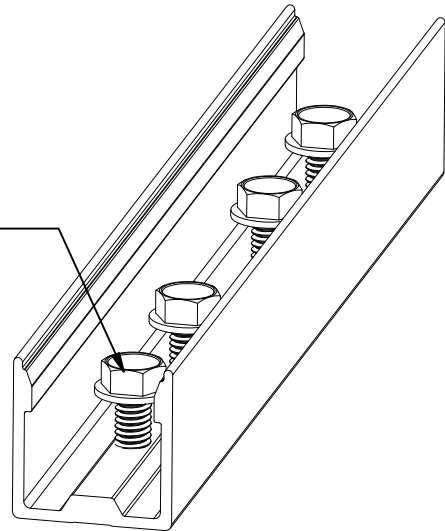
PRODUCT PROTECTED BY
ONE OR MORE US PATENTS
LEGAL NOTICE

NU-P01

SHEET

PART # TABLE		
P/N	DESCRIPTION	LENGTH
RLSPLCM1	NXT UMOUNT RAIL SPLICE	10"
RLSPLCM2	NXT UMOUNT RAIL SPLICE	6"

4X - 5/16"-18 x 5/8"
HEX FLANGE SCREW - TYPE F



PRODUCT LINE:	NXT UMOUNT
DRAWING TYPE:	PART DETAIL
DESCRIPTION:	RAIL SPLICE
REVISION DATE:	11/17/2022

DRAWING NOT TO SCALE
ALL DIMENSIONS ARE
NOMINAL

PRODUCT PROTECTED BY
ONE OR MORE US PATENTS
LEGAL NOTICE

NU-P02

SHEET