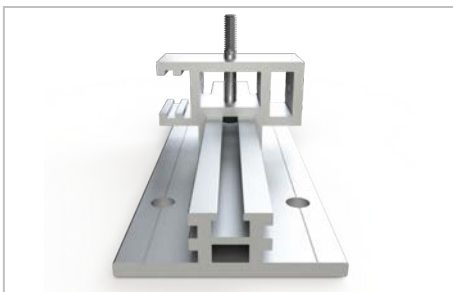
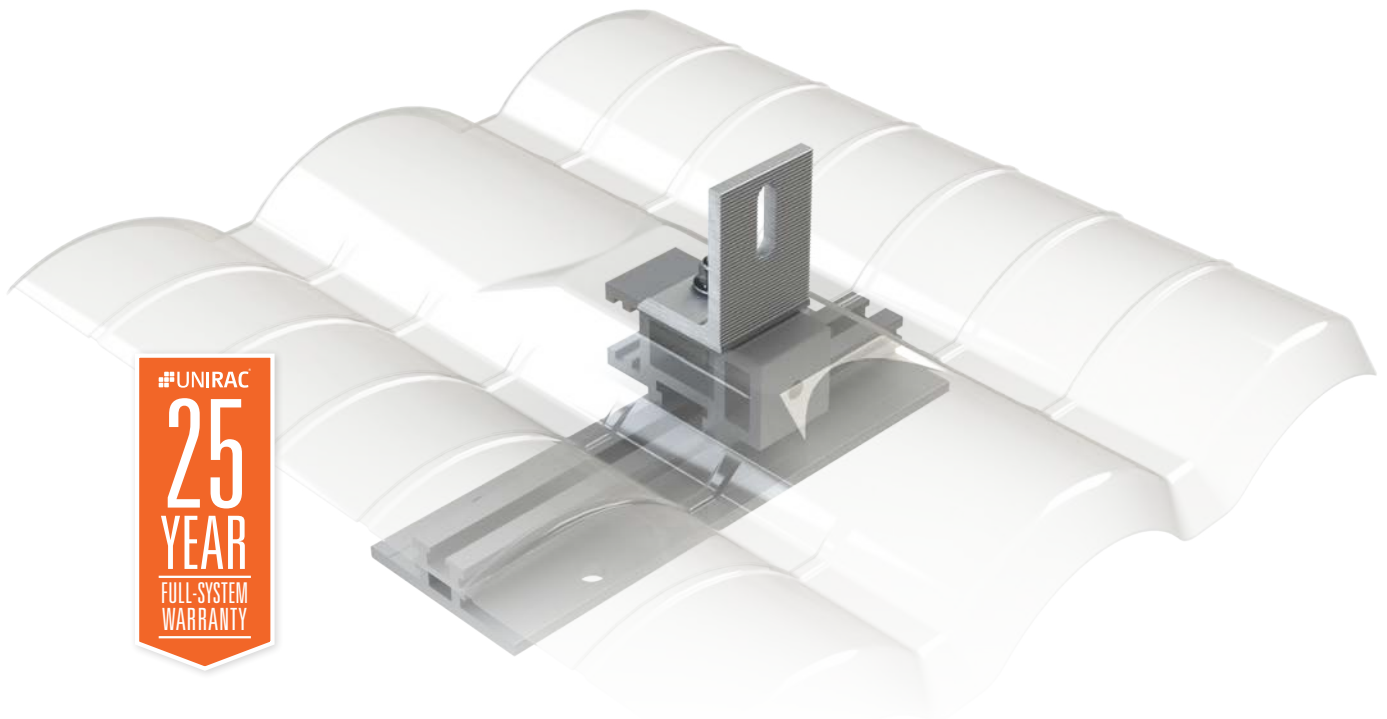


FLASHKIT TR

TILE REPLACEMENT FOR SOLARMOUNT



FLASHKIT TR is the complete tile replacement solution for tile roofs. UNIRAC combines **3x3** versatility and performance in one package. A Universal Base with three height configurations integrates with a selection of three flashing shapes and three flashing colors to match your tile roof, while UNIRAC's patented **WATER SEAL** technology provides the ultimate protection against leaks. Kitted in 10 packs for maximum convenience, with **FLASHKIT TR**, you have everything you need for a quick, professional installation.



STRENGTH

Universal Base with 3 height configurations is more than 4X stronger than tile hook style attachments.



VERSATILITY

Select Flat, Spanish, or W-shaped Tile profiles in Adobe, Charcoal, or Mill color to match your project roof.



TRUSTED WATER SEAL

Patented Weather Seal Technology prevents leaks. Optional sub flashing available for added protection.

THE COMPLETE TILE REPLACEMENT SOLUTION

FLASHKIT TR

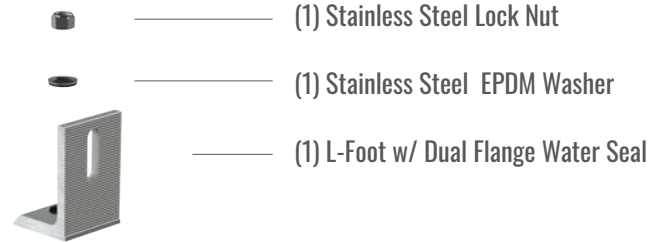
TILE REPLACEMENT FOR SOLARMOUNT



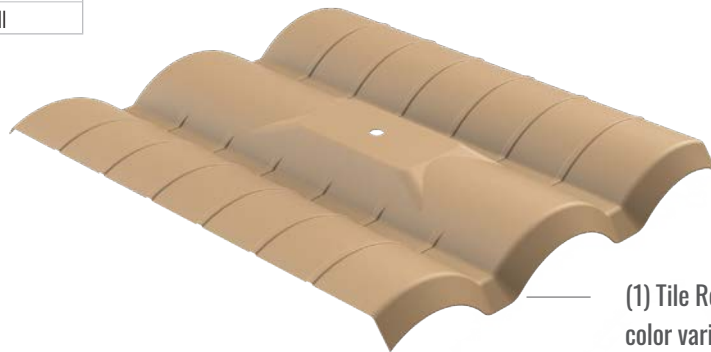
FLASHKIT TR is kitted in (10) Packs for maximum convenience and has everything you need for a quick, professional installation. Select a Part # by the Tile Replacement Shape and Color to match your project roof.

PART#	SHAPE	COLOR
004TRFA	Flat	Adobe
004TRFD	Flat	Charcoal
004TRFM	Flat	Mill
004TRSA	Spanish	Adobe
004TRSD	Spanish	Charcoal
004TRSM	Spanish	Mill
004TRWA	W	Adobe
004TRWD	W	Charcoal
004TRWM	W	Mill

KIT INCLUDES:



- (1) Stainless Steel Lock Nut
- (1) Stainless Steel EPDM Washer
- (1) L-Foot w/ Dual Flange Water Seal



(1) Tile Replacement (Shape and color varies by Part # – see table)



(1) Tiered Riser



(1) Stainless Steel Riser Bolt w/ Pre-Applied Anti-Seize



(2) Stainless Steel Lag Bolts



(1) Base Plate w/ Pre-Applied Butyl Patch



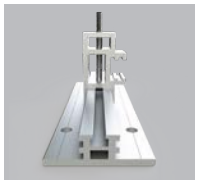
(Optional Sub Flashing: Part #004TRSF. Not included in Kit)

NOTE: Tiered Riser and Base Plate are 6000 Series Aluminum
Tile Replacement and Optional Sub Flashing are 5000 Series Aluminum



FLAT TILE ROOFS

Set the Tiered Riser to its lowest height setting on the Base Plate to mount Flat Tile Replacements.



SPANISH TILE ROOFS

Set the Tiered Riser to its tallest height setting on the Base Plate to mount Spanish Tile Replacements.



W TILE ROOFS

Set the Tiered Riser to its middle height setting on the Base Plate to mount W-Shaped Tile Replacements.

THE COMPLETE TILE REPLACEMENT SOLUTION