



# TS4-A-F

## Module-level PV Rapid Shutdown

The TS4-A-F (Fire Safety) is the advanced add-on rapid shutdown solution that brings smart module functionality to standard PV modules for higher reliability. Ensure safety by upgrading existing PV systems or by adding safety features to new installations.

The TS4-A-F complies with NEC 2017 & 2020 690.12 Rapid Shutdown specifications when installed with the Tigo RSS Transmitter or an inverter with built-in Tigo certified transmitter.

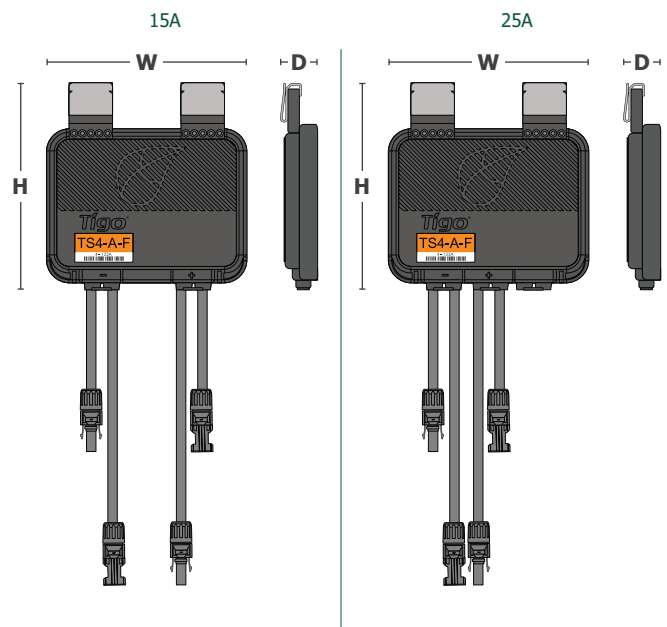
### Features

- High input current rating**  
 Now rated for 20A Imp/ 25A Isc to better accommodate bifacial and high current modules
- Simple, Fast Installation**  
 Snap to standard PV module frame or remove clips for rack mounting
- PLC Signaling**  
 Rapid shutdown signaling over PV conductors
- Automatic Shutdown**  
 PV array enters rapid shutdown in the event of AC grid loss
- PVRSS Certified**  
 Tested and UL certified with hundreds of top inverter models

### Quick Specs

| TS4-A-F                |  |
|------------------------|--|
| Dimensions (W x H x D) | 138.4 x 139.7 x 22.9mm (5.9 x 5.5 x 0.9in) |
| Weight                 | 490g (1.1lbs)                              |
| Max Current (Imp/Isc)* | 15A                      20A/25A           |
| Max Wattage            | 700W                                       |

\*Use local codes/requirements to calculate maximum current.



Standard  
Warranty



NEC Rapid Shutdown  
Compliant

| Electrical Data                      | 15A      | 25A      |
|--------------------------------------|----------|----------|
| Maximum input voltage                | 90V      | 80V      |
| Operating voltage range <sup>1</sup> | 16 - 90V | 16 - 80V |
| Maximum input current (Isc)          | N/A      | 25A      |
| Maximum input current (Imp)          | 15A      | 20A      |
| Maximum wattage                      | 700W     | 700W     |

<sup>1</sup>Maximum output voltage of the TS4 is dependent on the PV module voltage. Refer to PV modules nameplate.

## Connections

|                          |  |                                       |
|--------------------------|--|---------------------------------------|
| Module Conductor lengths | 0.12m, 0.62m, options available <sup>2</sup> | 0.62m, options available <sup>2</sup> |
| String Conductor lengths | 1.2m, options available <sup>2</sup>         |                                       |
| Connectors               | MC4, EVO2, options available <sup>2</sup>    |                                       |

<sup>2</sup>Contact sales for additional connector and conductor length options. MOQ may apply.

## General Data

|   |   |  |
|---|---|--|
| Operating temperature range                       | <b>UL:</b> -30°C to +75°C<br>(-22°F to +167°F)<br><b>IEC:</b> -40°C to +85°C<br>(-40°F to +185°F) | <b>UL/IEC:</b> -40°C to +80°C<br>(-40°F to +176°F) |
| Storage temperature range                         | -40°C to +85°C<br>(-40°F to +185°F)   | -40°C to +85°C<br>(-40°F to +185°F)                |
| Recommended fuse rating                           | 20A   | 30A  |
| Outdoor rating                                    | IP68, NEMA 3R   | IP68   |
| Maximum altitude                                  | 2000m   | 3000m  |
| Efficiency  | 99.6%   | 99.9%  |
| Communication                                     | PLC   |  |
| Rapid Shutdown UL Listed (NEC 2017 & 2020 690.12) | Yes   |  |
| Rapid Shutdown Time Limit                         | 30 secs or less <sup>3</sup>  |  |
| Conductor AWG Range                               | 10-12 AWG   |  |
| PVRSE Controlled Conductors                       | ≤30 Vdc, ≤240VA, ≤8A <sup>3</sup>   |  |

<sup>3</sup>Limits are based on NEC 690.12 rapid shutdown requirements.

## Warranty

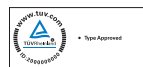
25 years

## Ordering Information

|              |  | UL/IEC | IEC |
|--------------|--|--------|-----|
| 459-00252-32 | TS4-A-F, 15A, 700W, 1500V UL / 1000V IEC, 1.2m Cable, MC4      | •      |     |
| 459-00252-62 | TS4-A-F, 15A, 700W, 1500V UL / 1000V IEC, 0.62/1.2m Cable, MC4 | •      |     |
| 459-00261-32 | TS4-A-F, 15A, 700W, 1500V UL / IEC, 1.2m Cable, EVO2           | •      |     |
| 459-00261-62 | TS4-A-F, 15A, 700W, 1500V UL / IEC, 0.62/1.2m Cable, EVO2      | •      |     |
| 486-00252-32 | TS4-A-F, 25A, 700W, 1500V UL / 1000V IEC, 0.12/1.2m Cable, MC4 | •      |     |
| 486-00252-62 | TS4-A-F, 25A, 700W, 1500V UL / 1000V IEC, 0.62/1.2m Cable, MC4 | •      |     |
| 486-00261-32 | TS4-A-F, 25A, 700W, 1500V UL / IEC, 0.12/1.2m Cable, EVO2      | •      |     |
| 486-00261-62 | TS4-A-F, 25A, 700W, 1500V UL / IEC, 0.62/1.2m Cable, EVO2      | •      |     |
| 488-00252-32 | TS4-A-F, 25A, 700W, 1000V IEC, 0.12/1.2m Cable, MC4            |        | •   |
| 488-00252-62 | TS4-A-F, 25A, 700W, 1000V IEC, 0.62/1.2m Cable, MC4            |        | •   |
| 488-00261-32 | TS4-A-F, 25A, 700W, 1500V IEC, 0.12/1.2m Cable, EVO2           |        | •   |
| 488-00261-62 | TS4-A-F, 25A, 700W, 1500V IEC, 0.62/1.2m Cable, EVO2           |        | •   |

## Certifications

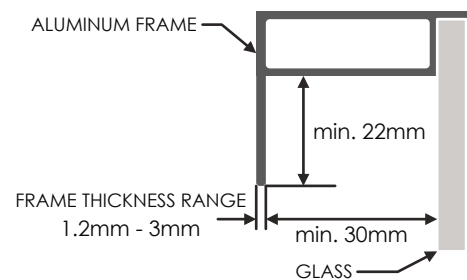
UL1741, PVRSS, CSA22.2, IEC 62109



Photovoltaic Rapid Shutdown System Equipment, QJW

## PVRSS certified inverters

Module frame specifications for mounting TS4-A



## Additional resources



Tigo TS4-A-F



Tigo RSS



Support



Community