

# Product data sheet

Specifications



All in one, Homeline, CSED, ringed socket, 200A, semi flush mount, 30 spaces, 42 circuits, 22kA SCCR, no bypass, solar ready

SC3042M200PF

## Main

|                                  |            |
|----------------------------------|------------|
| <b>Product or Component Type</b> | All-In-One |
| <b>Range of Product</b>          | Homeline   |
| <b>Meter socket type</b>         | Ringed     |
| <b>Hub type</b>                  | A-L        |

## Complementary

|                                  |  |
|----------------------------------|--|
| <b>Line Rated Current</b>        | 200 A  |
| <b>Number of Phases</b>          | 1 phase  |
| <b>Short-circuit current</b>     | 22 kA  |
| <b>Mounting</b>                  | Semi flush (outdoor)   |
| <b>Number of spaces</b>          | 30   |
| <b>Number of circuits</b>        | 42   |
| <b>Number of Tandem Breakers</b> | 12   |
| <b>Electrical connection</b>     | Lugs, line side<br>Lugs, service ground  |
| <b>Wire Size</b>                 | AWG 12...AWG 2/0 (aluminium) service ground<br>AWG 4...250 kcmil (aluminium/copper) line side<br>AWG 14...AWG 2/0 (copper) service ground  |
| <b>Tightening torque</b>         | Main lugs 250 lb.in, AWG 4...250 kcmil, aluminium/copper<br>Service ground 50 lb.in, AWG 14...AWG 2/0, copper<br>Service ground 50 lb.in, AWG 12...AWG 2/0, aluminium<br>Branch lugs 50 lb.in, AWG 14...AWG 4, copper<br>Branch lugs 50 lb.in, AWG 12...AWG 2, aluminium<br>Branch lugs 35 lb.in, AWG 6...AWG 4, aluminium/copper<br>Branch lugs 25 lb.in, AWG 8, aluminium/copper<br>Branch lugs 20 lb.in, AWG 14...AWG 10, aluminium/copper<br>Branch lugs 20 lb.in, AWG 12...AWG 10, aluminium/copper<br>Cover 10 lb.in |
| <b>Disconnect</b>                | Service disconnect (factory installed)   |
| <b>Disconnect Rating</b>         | 200 A  |
| <b>Branch Breaker Rating</b>     | 200 A  |
| <b>Service feed location</b>     | UG<br>OH outdoor   |
| <b>Bypass type</b>               | No bypass  |

Disclaimer: This documentation is not intended as a substitute for and is not to be used for determining suitability or reliability of these products for specific user applications

|                                |                       |
|--------------------------------|-----------------------|
| <b>Connections - Terminals</b> | Plug-on neutral       |
| <b>Product Compatibility</b>   | Solar ready           |
| <b>Width</b>                   | 16.80 in (426.72 mm)  |
| <b>Depth</b>                   | 7.20 in (182.88 mm)   |
| <b>Height</b>                  | 44.37 in (1127.00 mm) |
| <b>Bus Rating</b>              | 225.0 A               |

## Ordering and shipping details

|                          |                             |
|--------------------------|-----------------------------|
| <b>Category</b>          | 00148-HOMELINE CSED DEVICES |
| <b>Discount Schedule</b> | DE3A                        |
| <b>GTIN</b>              | 785901956846                |
| <b>Returnability</b>     | Yes                         |

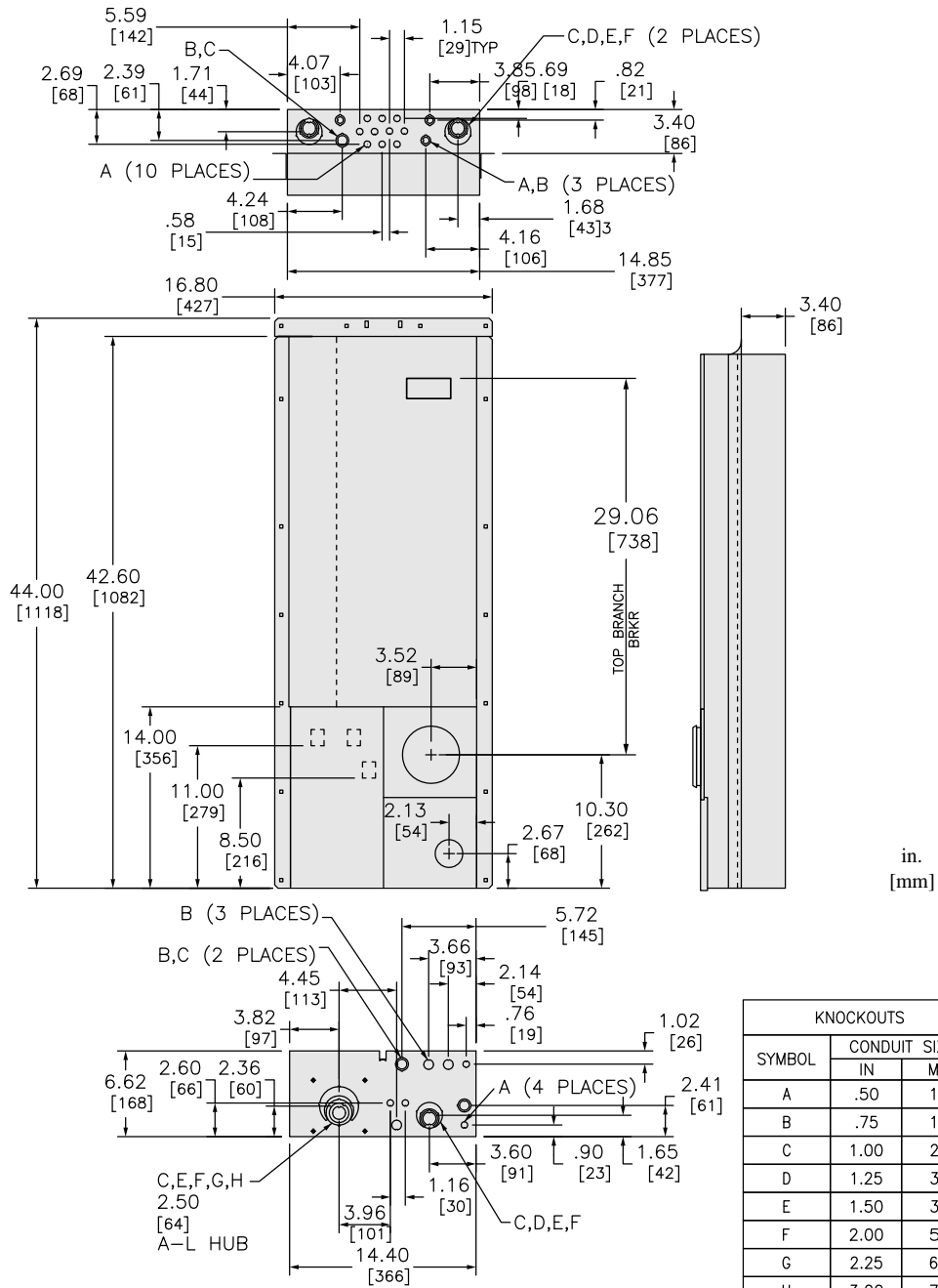
## Packing Units

|                                     |                           |
|-------------------------------------|---------------------------|
| <b>Unit Type of Package 1</b>       | PCE                       |
| <b>Number of Units in Package 1</b> | 1                         |
| <b>Package 1 Height</b>             | 7.19 in (18.26 cm)        |
| <b>Package 1 Width</b>              | 17.19 in (43.66 cm)       |
| <b>Package 1 Length</b>             | 44.31 in (112.55 cm)      |
| <b>Package 1 Weight</b>             | 59.70 lb(US) (27.079 kg)  |
| <b>Unit Type of Package 2</b>       | PAL                       |
| <b>Number of Units in Package 2</b> | 10                        |
| <b>Package 2 Height</b>             | 40.00 in (101.6 cm)       |
| <b>Package 2 Width</b>              | 44.00 in (111.76 cm)      |
| <b>Package 2 Length</b>             | 48.00 in (121.92 cm)      |
| <b>Package 2 Weight</b>             | 670.60 lb(US) (304.18 kg) |

## Offer Sustainability

|                                   |   |
|-----------------------------------|---|
| <b>Sustainable offer status</b>   | Green Premium product   |
| <b>California proposition 65</b>  | WARNING: This product can expose you to chemicals including: Lead and lead compounds, which is known to the State of California to cause cancer and birth defects or other reproductive harm. For more information go to <a href="http://www.P65Warnings.ca.gov">www.P65Warnings.ca.gov</a> |
| <b>REACH Regulation</b>           | <a href="#">REACH Declaration</a>   |
| <b>EU RoHS Directive</b>          | Compliant<br><a href="#">EU RoHS Declaration</a>  |
| <b>Mercury free</b>               | Yes   |
| <b>China RoHS Regulation</b>      | <a href="#">China RoHS declaration</a><br>Product out of China RoHS scope. Substance declaration for your information.  |
| <b>RoHS exemption information</b> | <a href="#">Yes</a>   |
| <b>Environmental Disclosure</b>   | <a href="#">Product Environmental Profile</a>   |

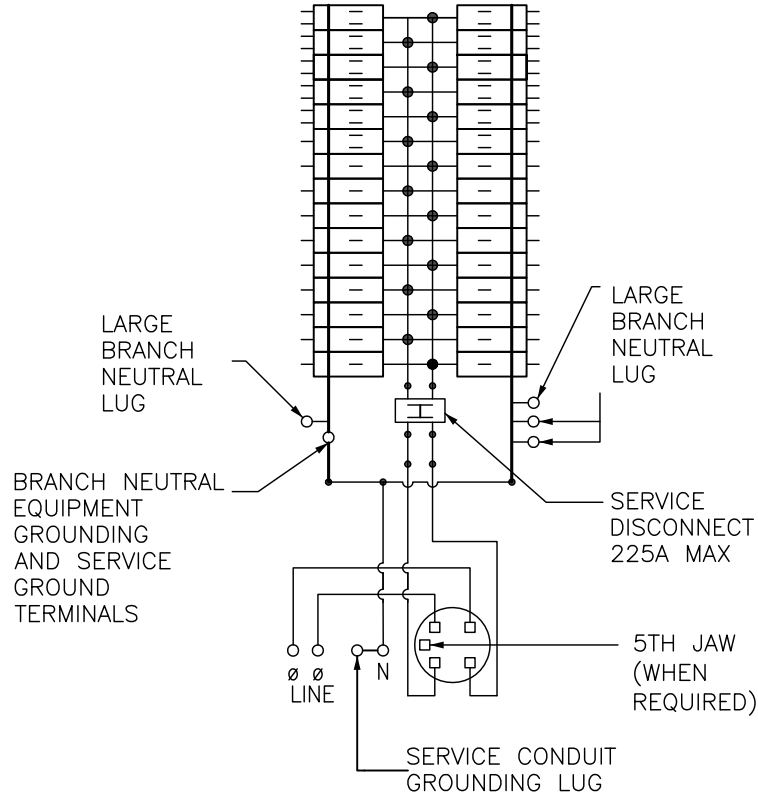
Dimensions




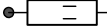
All dimensions are approximate. Refer to technical drawings and documents.

Wiring Diagram

MAIN CIRCUIT BREAKER 200A MAX.  
 BUS RATING 225A MAX.



- 

ONE SINGLE POLE, ONE PLUG-ON SPACE TYPE HOM OR HOMP ONLY. TWO POLE TYPE HOM OR HOMA (15-125A) MAY PLUG ON TWO ADJACENT SPACES. TWO POLE TYPE HOMA (150-200A) MAY PLUG ON FOUR ADJACENT SPACES. TOTAL CIRCUIT BREAKER HANDLE RATING NOT TO EXCEED 160A PER BRANCH CIRCUIT CONNECTOR.
- 

TWO SINGLE POLE, ONE PLUG-ON SPACE TYPE HOMET, ONE SINGLE POLE TYPE HOM OR HOMP. TWO POLE TYPE HOM (15-100A) MAY PLUG ON TWO ADJACENT SPACES. TWO POLE TYPE HOMA (150-200A) MAY PLUG ON FOUR ADJACENT SPACES. **USE 15-100A AND 150-200A BRANCH BREAKERS ONLY.** TOTAL CIRCUIT BREAKER HANDLE RATING NOT TO EXCEED 160A PER BRANCH CIRCUIT CONNECTOR.

A SQUARE D UL LISTED SECONDARY SURGE ARRESTER MAY PLUG ON TWO ADJACENT SPACES. ORDER CATALOG NO. HOM2175SB

Recommended replacement(s)