

Product data sheet

Specifications

SQUARE D

Green Premium™



Mini circuit breaker, QOU, 60A, 2 pole, 120/240VAC, 10kA

QOU260

Product availability : Stock - Normally stocked in distribution facility

Main

Product or Component Type	Miniature circuit-breaker
Range of Product	QOU
Circuit breaker type	Standard
Circuit breaker application	HACR and Switching Duty rated

Complementary

Line Rated Current	60 A
Electrical connection	Slotted box lugs, line side Slotted box lugs, load side
[Ue] rated operational voltage	120/240 V AC 120 V AC 48 V DC
Mounting Mode	Unit mount
AWG gauge	AWG 14...AWG 2 aluminium/copper
Height	4.05 in (102.87 mm)
Width	1.5 in (38.10 mm)
Depth	2.95 in (74.93 mm)
Tightening torque	45 lbf.in (5.08 N.m) (AWG 14...AWG 2)

Environment

Product Certifications	UL Listed CSA IEC
------------------------	-------------------------

Ordering and shipping details

Category	00900-QOU BREAKERS & SWITCH
Discount Schedule	DE2
GTIN	785901418801
Nbr. of units in pkg.	1
Package weight(Lbs)	12.80 oz (362.874 g)
Returnability	No
Country of origin	MX

Disclaimer: This documentation is not intended as a substitute for and is not to be used for determining suitability or reliability of these products for specific user applications

Packing Units

Unit Type of Package 1	PCE
Package 1 Height	3.60 in (9.144 cm)
Package 1 width	4.80 in (12.192 cm)
Package 1 Length	2.10 in (5.334 cm)
Unit Type of Package 2	CAR
Number of Units in Package 2	24
Package 2 Weight	19.40 lb(US) (8.8 kg)
Package 2 Height	3.70 in (9.398 cm)
Package 2 width	13.60 in (34.544 cm)
Package 2 Length	20.80 in (52.832 cm)
Unit Type of Package 3	PAL
Number of Units in Package 3	288
Package 3 Weight	272.00 lb(US) (123.377 kg)
Package 3 Height	40.00 in (101.6 cm)
Package 3 width	42.00 in (106.68 cm)
Package 3 Length	48.00 in (121.92 cm)

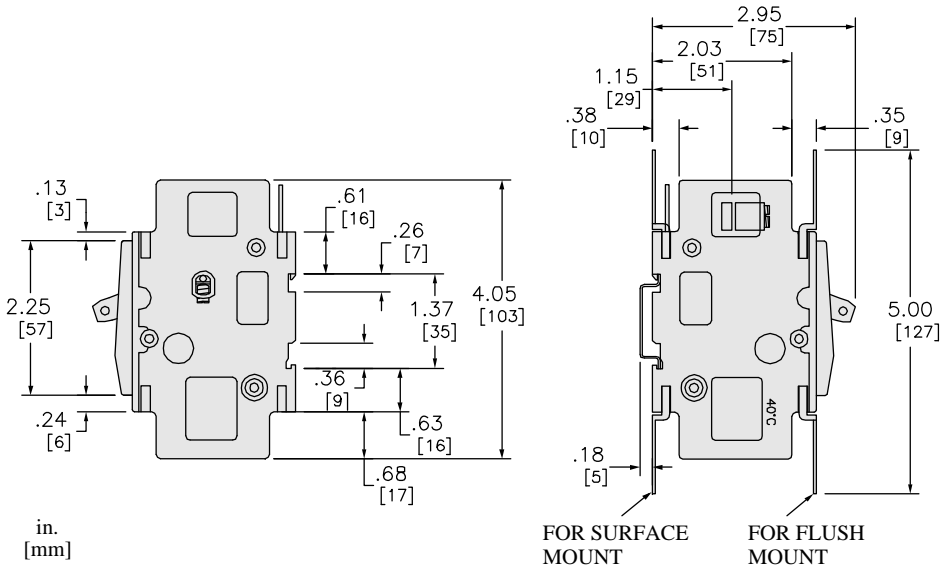
Offer Sustainability

Sustainable offer status	Green Premium product
REACH Regulation	REACH Declaration
REACH free of SVHC	Yes
EU RoHS Directive	Compliant EU RoHS Declaration
Toxic heavy metal free	Yes
Mercury free	Yes
RoHS exemption information	Yes
China RoHS Regulation	China RoHS declaration Product out of China RoHS scope. Substance declaration for your information.
Halogen content performance	Halogen free product

Contractual warranty

Warranty	18 months
----------	-----------

Dimensions



2.50 [64] MIN. WIRE BENDING SPACE FOR 2 AWG
 1.50 [38] MIN. WIRE BENDING SPACE FOR 14 AWG
 TYP. BOTH ENDS FOR ALL CB'S SHOWN PER ARTICLE 430-1-(B) NEC

