

Product data sheet

Specifications

SQUARE D

Green Premium™



Mini circuit breaker, QO, 20A, 2 pole, 120/240VAC, 10kA, bolt on mount

QOB220

Main

Product	Miniature circuit-breaker
Range	QO
Current Rating	20 A
Voltage Rating	120/240 V AC 120 V AC
Mounting Type	Bolt-on
Number of Poles	2P
Circuit Breaker Type	Standard
Ratings	HACR rated
Electrical Connection	Pressure plate

Complementary

Interrupt Rating	10 kA 120/240 V AC 50/60 Hz 10 kA 120 V AC 50/60 Hz
Number of Panel Spaces	2
Wire Size	AWG 14...AWG 8 copper or aluminium
Tightening Torque	35.40 lbf.in (4 N.m)
Height	2.99 in (76 mm)
Width	1.50 in (38 mm)
Depth	2.91 in (74 mm)
Net Weight	0.55 lb(US) (0.249 kg)

Environment

Certifications	UL Listed CSA
Ambient Rating	104 °F (40 °C)

Ordering and shipping details

Category	00015-QOB CIRCUIT BREAKERS
Discount Schedule	DE2

GTIN	785901416869
Returnability	No
Country of origin	MX

Packing Units

Unit Type of Package 1	PCE
Number of Units in Package 1	1
Package 1 Height	2.60 in (6.6 cm)
Package 1 Width	1.50 in (3.81 cm)
Package 1 Length	3.00 in (7.62 cm)
Package 1 Weight	8.80 oz (249.48 g)
Unit Type of Package 2	BB1
Number of Units in Package 2	5
Package 2 Height	3.30 in (8.382 cm)
Package 2 Width	1.50 in (3.81 cm)
Package 2 Length	7.60 in (19.304 cm)
Package 2 Weight	2.80 lb(US) (1.27 kg)
Unit Type of Package 3	CAR
Number of Units in Package 3	50
Package 3 Height	8.20 in (20.828 cm)
Package 3 Width	7.90 in (20.066 cm)
Package 3 Length	17.10 in (43.434 cm)
Package 3 Weight	28.45 lb(US) (12.905 kg)

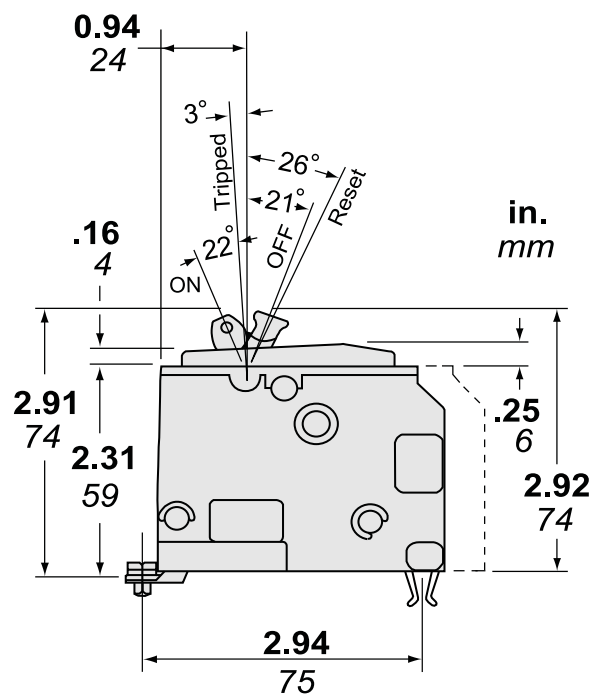
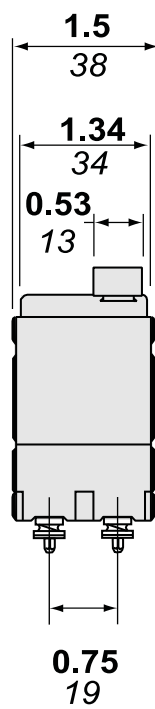
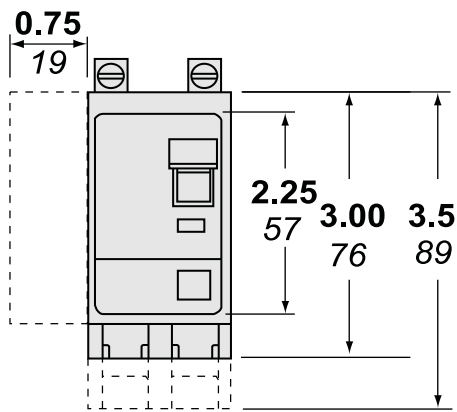
Offer Sustainability

Sustainable offer status	Green Premium product
California proposition 65	WARNING: This product can expose you to chemicals including: Nickel compounds, which is known to the State of California to cause cancer. For more information go to www.P65Warnings.ca.gov
REACH Regulation	REACH Declaration
EU RoHS Directive	Compliant EU RoHS Declaration
Toxic heavy metal free	Yes
Mercury free	Yes
China RoHS Regulation	China RoHS declaration Product out of China RoHS scope. Substance declaration for your information.
RoHS exemption information	Yes
Halogen content performance	Halogen free product

Contractual warranty

Warranty	18 months
----------	-----------

Dimensions



Dimensions are approximate. Refer to technical documentation for additional detail.

Recommended replacement(s)