

# Product data sheet

Specifications

SQUARE D

Green Premium™



Safety switch, heavy duty, non fusible, 30A, 3 wire, 3 poles, 30hp, 600VAC/DC, Type 1

HU361

## Main

Product	Single Throw Safety Switch
Duty Rating	Heavy duty
Device Application	Heavy application
Disconnect Type	Non-fusible disconnect
Factory Installed Neutral	None
Phase	3 phase
Number of Poles	3
Current Rating	30 A
Voltage Rating	600 V AC/DC
Enclosure Rating	NEMA 1 steel
Maximum Horse Power Rating	5 hp 240 V at AC 50-60 Hz for 1 phase conforming to NEC 430.52 10 hp 240 V at AC 50-60 Hz for 3 phase conforming to NEC 430.52 7.5 hp 480 V at AC 50-60 Hz for 1 phase conforming to NEC 430.52 20 hp 480 V at AC 50-60 Hz for 3 phase conforming to NEC 430.52 10 hp 600 V at AC 50-60 Hz for 1 phase conforming to NEC 430.52 30 hp 600 V at AC 50-60 Hz for 3 phase conforming to NEC 430.52 5 hp 250 V at DC conforming to NEC 430.52 15 hp 600 V at DC

## Complementary

Mounting Type	Surface
Electrical Connection	Lugs
Wiring configuration	3-wire
Wire Size	AWG 12...AWG 6 aluminium AWG 14...AWG 6 copper
Tightening torque	45 lbf.in (5.08 N.m) 0.02 in <sup>2</sup> (13.3 mm <sup>2</sup> ) (AWG 6) 40 lbf.in (4.52 N.m) 0.01 in <sup>2</sup> (8.367 mm <sup>2</sup> ) (AWG 8) 35 lbf.in (3.95 N.m) 0.00...0.01 in <sup>2</sup> (2.06...5.261 mm <sup>2</sup> ) (AWG 14...AWG 10)
Depth	4.87 in (123.70 mm)
Width	7.55 in (191.77 mm)
Height	14.6 in (370.84 mm)
Net Weight	8.82 lb(US) (4 kg)

Disclaimer: This documentation is not intended as a substitute for and is not to be used for determining suitability or reliability of these products for specific user applications

## Environment

Certifications UL listed file E2875

## Ordering and shipping details

Category 00008-H&HU SW,2&3P,N1,30-200A

Discount Schedule DE1

GTIN 785901505723

Nbr. of units in pkg. 1

Package weight(Lbs) 7.60 lb(US) (3.447 kg)

Returnability Yes

Country of origin US

## Packing Units

Unit Type of Package 1 PCE

Package 1 Height 5.20 in (13.208 cm)

Package 1 width 7.70 in (19.558 cm)

Package 1 Length 16.20 in (41.148 cm)

Unit Type of Package 2 PAL

Number of Units in Package 2 120

Package 2 Weight 948.00 lb(US) (430.005 kg)

Package 2 Height 45.50 in (115.57 cm)

Package 2 width 40.00 in (101.6 cm)

Package 2 Length 48.00 in (121.92 cm)

## Offer Sustainability

Sustainable offer status Green Premium product

California proposition 65 WARNING: This product can expose you to chemicals including: Lead and lead compounds, which is known to the State of California to cause cancer and birth defects or other reproductive harm. For more information go to [www.P65Warnings.ca.gov](http://www.P65Warnings.ca.gov)

REACH Regulation [REACH Declaration](#)

REACH free of SVHC Yes

EU RoHS Directive Compliant  
[EU RoHS Declaration](#)

Mercury free Yes

RoHS exemption information [Yes](#)

China RoHS Regulation [China RoHS declaration](#)  
Product out of China RoHS scope. Substance declaration for your information.

Environmental Disclosure [Product Environmental Profile](#)

WEEE The product must be disposed on European Union markets following specific waste collection and never end up in rubbish bins.

PVC free Yes

## Contractual warranty

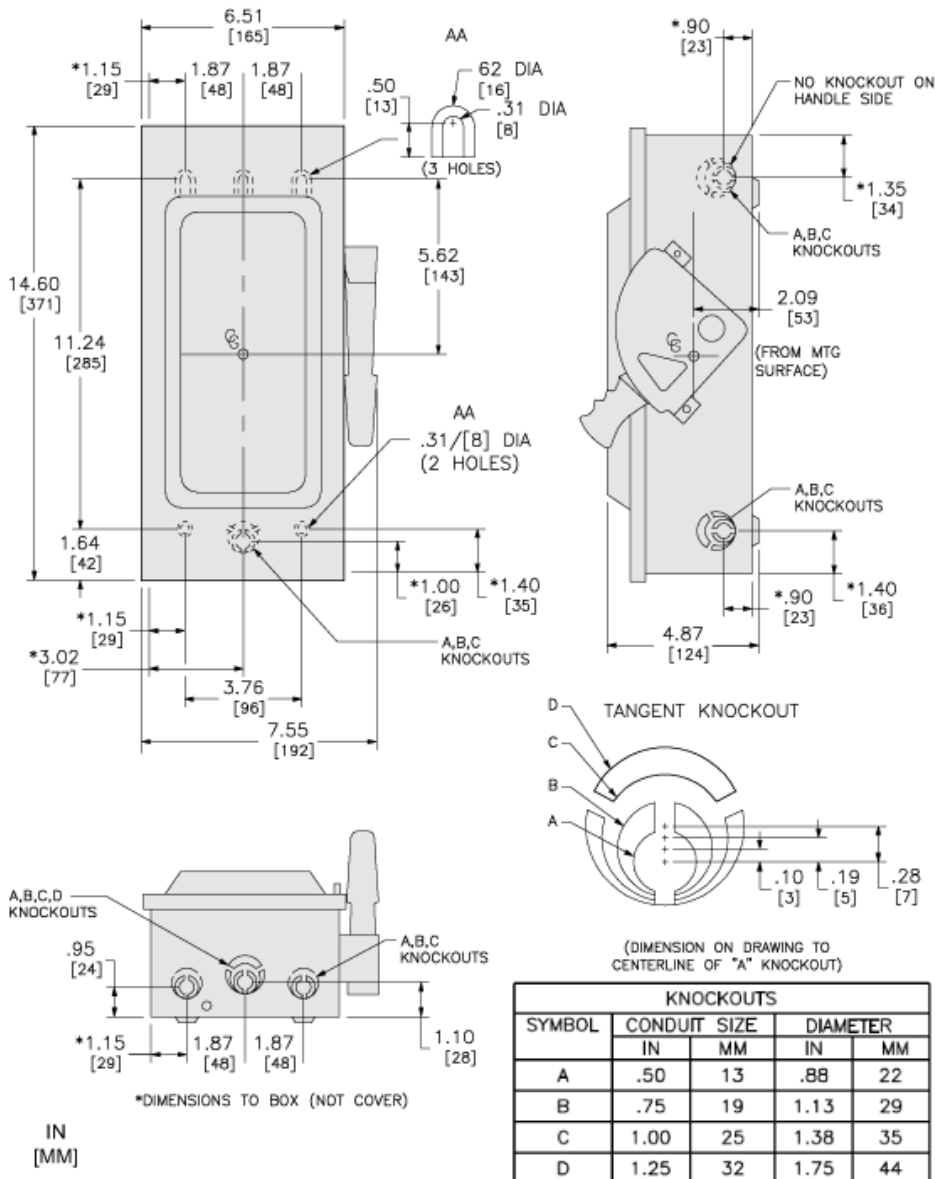
Warranty 18 months

# Product data sheet

## Dimensions Drawings

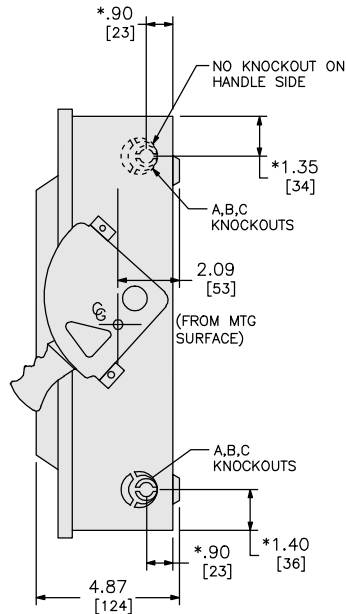
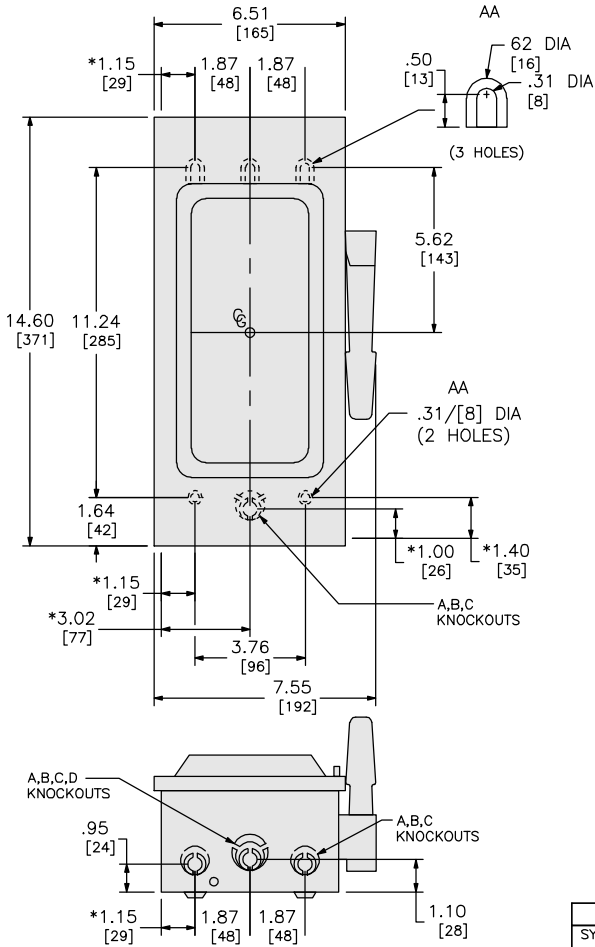
# HU361

### Approximate Dimensions



KNOCKOUTS				
SYMBOL	CONDUIT SIZE		DIAMETER	
	IN	MM	IN	MM
A	.50	13	.88	22
B	.75	19	1.13	29
C	1.00	25	1.38	35
D	1.25	32	1.75	44

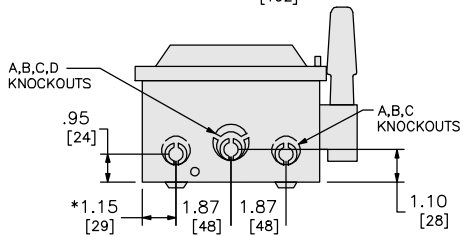
Dimensions



NEMA TYPE 1

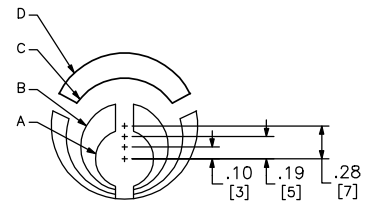
\*DIMENSIONS TO BOX (NOT COVER)

SEISMIC NOTES:  
 USE (4) 1/4" DIA GRADE 5 STEEL MOUNTING BOLTS @ HOLES AA  
 MAX CONFIGURED WEIGHT 10 LB FOR THE PURPOSE OF DETERMINING  
 SEISMIC ANCHORAGE REQUIREMENTS. FOR ALL OTHER APPLICATIONS,  
 CONTACT SQUARE D COMPANY.



in.  
[mm]

KNOCKOUTS				
SYMBOL	CONDUIT SIZE		DIAMETER	
	IN	MM	IN	MM
A	.50	13	.88	22
B	.75	19	1.13	29
C	1.00	25	1.38	35
D	1.25	32	1.75	44

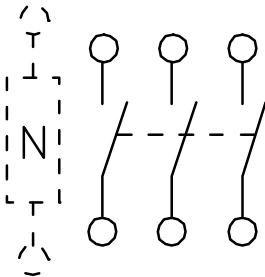


TANGENT KNOCKOUT

(DIMENSION ON DRAWING TO CENTERLINE OF "A" KNOCKOUT)

ALL DIMENSIONS ARE APPROXIMATE.  
 REFER TO TECHNICAL DRAWINGS AND DOCUMENTATION

**NOT FUSIBLE**



**HU361**  
**HU361EI**