

# Product data sheet

Specifications

SQUARE D

Green Premium™



Safety switch, heavy duty, non fusible, 30A, 3 wires, 3 poles, 30hp, 600VAC/DC, Type 3R, bolt on hub provision

HU361RB

## Main

<b>Product</b>	Single Throw Safety Switch
<b>Duty Rating</b>	Heavy duty
<b>Device Application</b>	Heavy application
<b>Disconnect Type</b>	Non-fusible disconnect
<b>Factory Installed Neutral</b>	None
<b>Phase</b>	3 phase
<b>Number of Poles</b>	3
<b>Current Rating</b>	30 A
<b>Voltage Rating</b>	600 V AC/DC
<b>Enclosure Rating</b>	NEMA 3R galvanized steel
<b>Maximum Horse Power Rating</b>	5 hp 240 V at AC 50-60 Hz for 1 phase conforming to NEC 430.52 10 hp 240 V at AC 50-60 Hz for 3 phase conforming to NEC 430.52 7.5 hp 480 V at AC 50-60 Hz for 1 phase conforming to NEC 430.52 20 hp 480 V at AC 50-60 Hz for 3 phase conforming to NEC 430.52 10 hp 600 V at AC 50-60 Hz for 1 phase conforming to NEC 430.52 30 hp 600 V at AC 50-60 Hz for 3 phase conforming to NEC 430.52 5 hp 250 V at DC conforming to NEC 430.52 15 hp 600 V at DC

## Complementary

<b>Mounting Type</b>	Surface
<b>Electrical Connection</b>	Lugs
<b>Wiring configuration</b>	3-wire
<b>Wire Size</b>	AWG 12...AWG 6 aluminium AWG 14...AWG 6 copper
<b>Tightening torque</b>	45 lbf.in (5.08 N.m) 0.02 in <sup>2</sup> (13.3 mm <sup>2</sup> ) (AWG 6) 40 lbf.in (4.52 N.m) 0.01 in <sup>2</sup> (8.367 mm <sup>2</sup> ) (AWG 8) 35 lbf.in (3.95 N.m) 0.00...0.01 in <sup>2</sup> (2.06...5.261 mm <sup>2</sup> ) (AWG 14...AWG 10)
<b>Depth</b>	4.86 in (123.44 mm)
<b>Width</b>	7.55 in (191.77 mm)
<b>Height</b>	14.88 in (377.95 mm)
<b>Net Weight</b>	8.82 lb(US) (4 kg)

Disclaimer: This documentation is not intended as a substitute for and is not to be used for determining suitability or reliability of these products for specific user applications

## Environment

Certifications UL listed file E2875

## Ordering and shipping details

Category 00009-H&HU SW,2&3P,N3R,30-200A

Discount Schedule DE1

GTIN 785901505600

Nbr. of units in pkg. 1

Package weight(Lbs) 8.16 lb(US) (3.701 kg)

Returnability Yes

Country of origin US

## Packing Units

Unit Type of Package 1 PCE

Package 1 Height 6.60 in (16.764 cm)

Package 1 width 7.90 in (20.066 cm)

Package 1 Length 16.40 in (41.656 cm)

Unit Type of Package 2 PAL

Number of Units in Package 2 120

Package 2 Weight 1008.00 lb(US) (457.221 kg)

Package 2 Height 46.00 in (116.84 cm)

Package 2 width 40.00 in (101.6 cm)

Package 2 Length 48.00 in (121.92 cm)

## Offer Sustainability

Sustainable offer status Green Premium product

California proposition 65 WARNING: This product can expose you to chemicals including: Lead and lead compounds, which is known to the State of California to cause cancer and birth defects or other reproductive harm. For more information go to [www.P65Warnings.ca.gov](http://www.P65Warnings.ca.gov)

REACH Regulation [REACH Declaration](#)

REACH free of SVHC Yes

EU RoHS Directive Compliant  
[EU RoHS Declaration](#)

Mercury free Yes

RoHS exemption information [Yes](#)

China RoHS Regulation [China RoHS declaration](#)  
Product out of China RoHS scope. Substance declaration for your information.

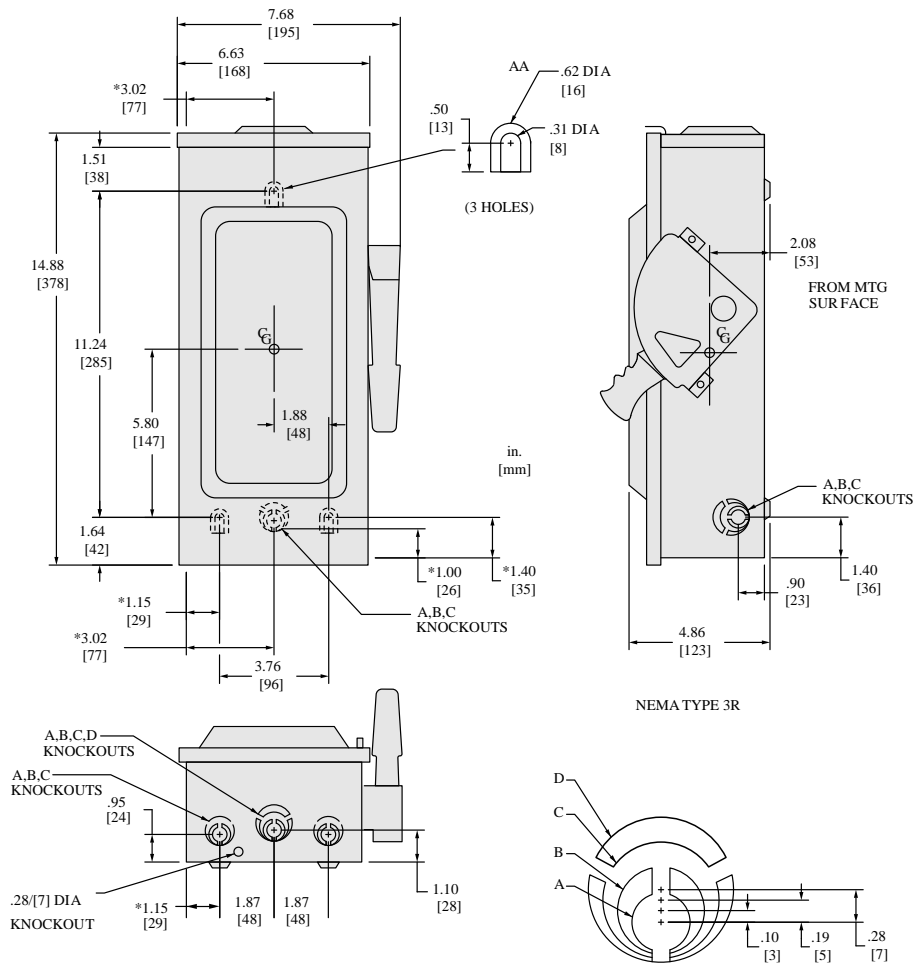
Environmental Disclosure [Product Environmental Profile](#)

PVC free Yes

## Contractual warranty

Warranty 18 months

Dimensions

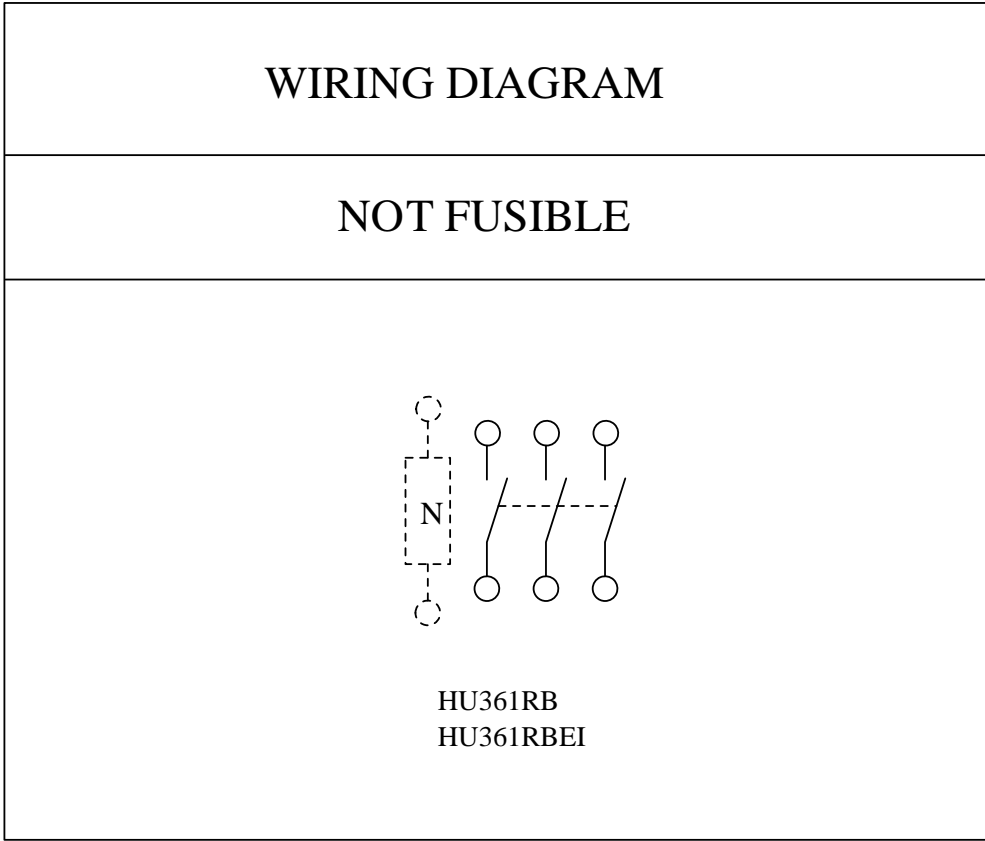


KNOCKOUTS				
SYMBOL	CONDUIT SIZE		DIAMETER	
	IN	MM	IN	MM
A	.50	13	.88	22
B	.75	19	1.13	29
C	1.00	25	1.38	35
D	1.25	32	1.75	44

TANGENT KNOCKOUT  
 (DIMENSION ON DRAWING TO CENTERLINE OF "A" KNOCKOUT)

\*DIMENSIONS TO BOX (NO T COVER)  
 ALL DIMENSIONS ARE APPROXIMATE.  
 REFER TO TECHNICAL DRAWINGS AND DOCUMENTATION FOR COMPLETE INFORMATION.

**Wiring Diagram**



TERMINAL LUGS			
AMPERES	MAX WIRE	MIN WIRE	TYPE
30	#6 AWG	#14 AWG	AL OR CU

Technical Drawing 2229S, Wiring Diagram D