

Product data sheet

Specifications

SQUARE D



Quad tandem circuit breaker,
Homeline, 1 x 2 pole at 15A, 1 x
2 pole at 20A, 120/240VAC, 10kA
AIR, plug in, UL

HOMT215220

Main

| | |
|------------------------------|---|
| Product | Miniature circuit-breaker |
| Range | Homeline |
| Current Rating | 15 A 20 A |
| Certifications | UL Listed |
| Voltage Rating | 120/240 V AC |
| Mounting Type | Plug-in |
| Number of Poles | 2P |
| Short Circuit Current Rating | 10 kA |
| Number of Spaces | 2.0 |
| Circuit Breaker Type | Quad tandem |
| Ratings | HACR rated |
| Electrical Connection | Box lugs |
| Wire Size | 1 x AWG 14...AWG 8 (aluminium/copper) |

Complementary

| | |
|-------------------|--|
| Tightening torque | 35.40 lbf.in (4.0 N.m) 0.00...0.01 in ² (2.5...6 mm ²) (AWG 14...AWG 8) |
| Height | 3.13 in (79.50 mm) |
| Width | 1.97 in (50.04 mm) |
| Depth | 3.23 in (82.04 mm) |

Environment

| | |
|---------------------------------------|----------------|
| Ambient air temperature for operation | 104 °F (40 °C) |
|---------------------------------------|----------------|

Ordering and shipping details

| | |
|-------------------|----------------------------------|
| Category | 00046-HOM/T 15-30A 1P; 15-60A 2P |
| Discount Schedule | DE3D |
| GTIN | 785901969181 |

| | |
|-------------------|-----|
| Returnability | Yes |
| Country of origin | MX |

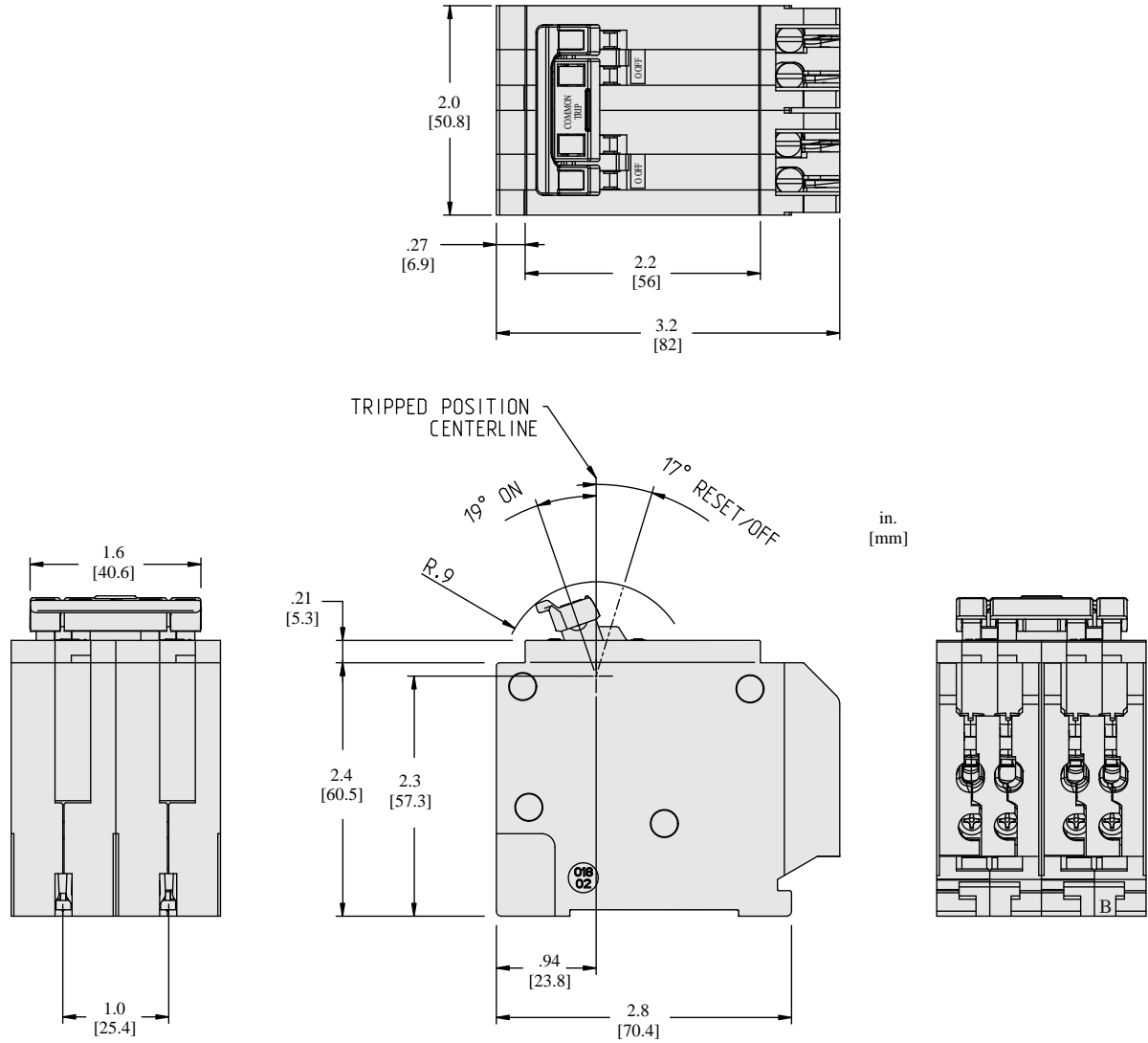
Packing Units

| | |
|------------------------------|----------------------|
| Unit Type of Package 1 | PCE |
| Number of Units in Package 1 | 1 |
| Package 1 Height | 3.15 in (8 cm) |
| Package 1 Width | 1.97 in (5 cm) |
| Package 1 Length | 3.23 in (8.2 cm) |
| Package 1 Weight | 16.00 oz (453.592 g) |

Offer Sustainability

| | |
|----------------------------|---|
| REACH Regulation | REACH Declaration |
| EU RoHS Directive | Compliant EU RoHS Declaration |
| Toxic heavy metal free | Yes |
| Mercury free | Yes |
| China RoHS Regulation | China RoHS declaration Pro-active China RoHS declaration (out of China RoHS legal scope) |
| RoHS exemption information | Yes |

Dimensions



HOMT Quad Tandem Circuit Breaker. Two spaces required.
 All dimensions are approximate. Also see technical documentation.

Recommended replacement(s)