

Product data sheet

Specifications

SQUARE D



Quad tandem circuit breaker,
Homeline, 2 x 2 pole at 15A,
120/240VAC, 10kA AIR, plug in, UL

HOMT215215

Main

Product	Miniature circuit-breaker
Range	Homeline
Current Rating	15 A 15 A
Certifications	UL Listed
Voltage Rating	120/240 V AC
Mounting Type	Plug-in
Number of Poles	2P
Short Circuit Current Rating	10 kA
Number of Spaces	2.0
Circuit Breaker Type	Quad tandem
Ratings	HACR rated
Electrical Connection	Box lugs
Wire Size	1 x AWG 14...AWG 8 (aluminium/copper)

Complementary

Tightening torque	35.40 lbf.in (4.0 N.m) 0.00...0.01 in ² (2.5...6 mm ²) (AWG 14...AWG 8)
Height	3.13 in (79.50 mm)
Width	1.97 in (50.04 mm)
Depth	3.23 in (82.04 mm)

Environment

Ambient air temperature for operation	104 °F (40 °C)
---------------------------------------	----------------

Ordering and shipping details

Category	00046-HOM/T 15-30A 1P; 15-60A 2P
Discount Schedule	DE3D
GTIN	785901969150
Returnability	Yes

Country of origin	MX
-------------------	----

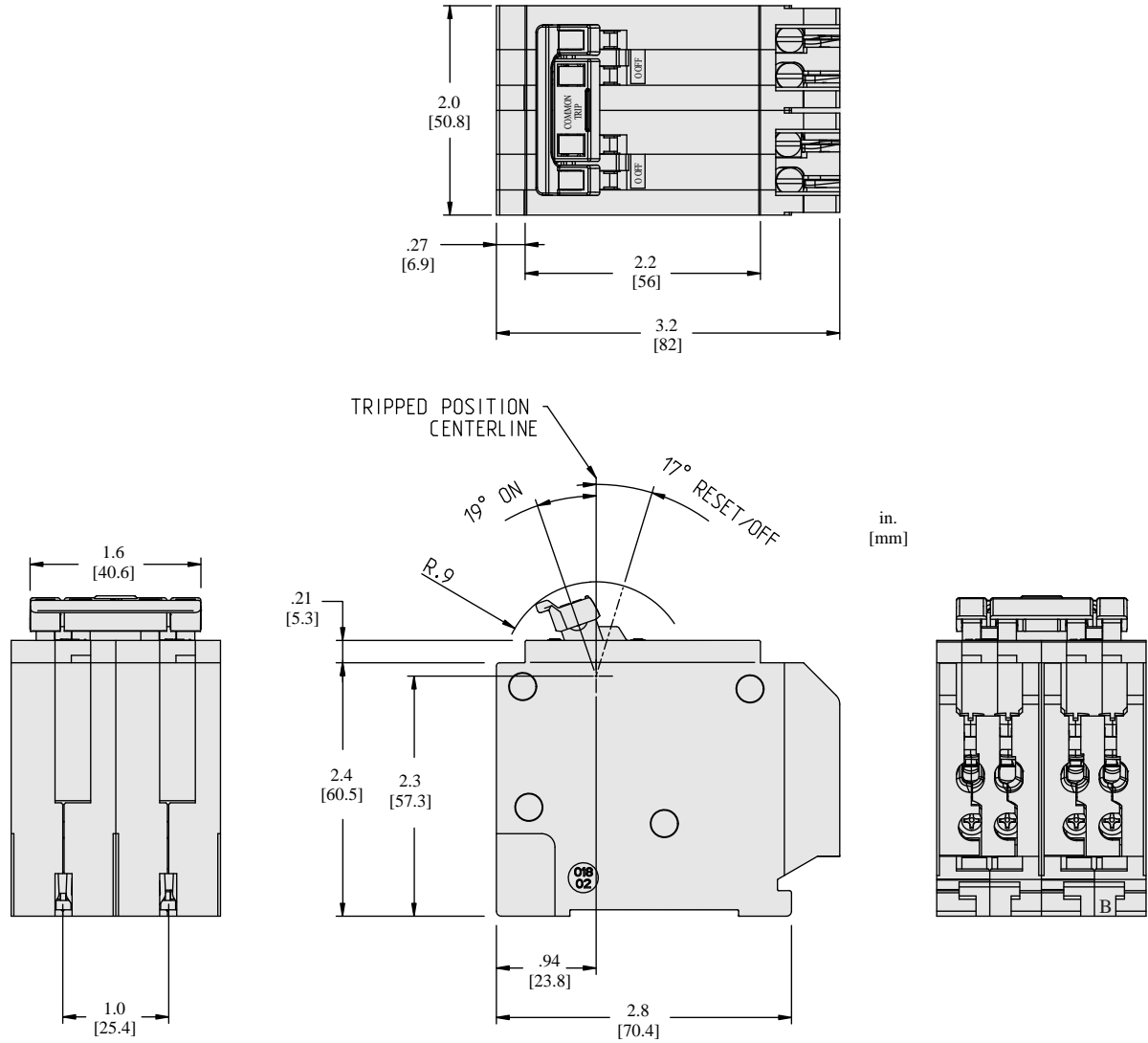
Packing Units

Unit Type of Package 1	PCE
Number of Units in Package 1	1
Package 1 Height	3.20 in (8.13 cm)
Package 1 Width	1.90 in (4.83 cm)
Package 1 Length	3.30 in (8.38 cm)
Package 1 Weight	13.44 oz (381.02 g)
Unit Type of Package 2	BB1
Number of Units in Package 2	5
Package 2 Height	3.50 in (8.89 cm)
Package 2 Width	3.70 in (9.4 cm)
Package 2 Length	10.10 in (25.65 cm)
Package 2 Weight	4.41 lb(US) (2 kg)
Unit Type of Package 3	CAR
Number of Units in Package 3	50
Package 3 Height	10.70 in (27.18 cm)
Package 3 Width	7.90 in (20.07 cm)
Package 3 Length	17.20 in (43.69 cm)
Package 3 Weight	44.93 lb(US) (20.38 kg)

Offer Sustainability

REACH Regulation	REACH Declaration
EU RoHS Directive	Compliant EU RoHS Declaration
Toxic heavy metal free	Yes
Mercury free	Yes
China RoHS Regulation	China RoHS declaration Pro-active China RoHS declaration (out of China RoHS legal scope)
RoHS exemption information	Yes

Dimensions



HOMT Quad Tandem Circuit Breaker. Two spaces required.
 All dimensions are approximate. Also see technical documentation.

Recommended replacement(s)