

# Product data sheet

Specifications

SQUARE D

Green Premium™



## Tandem circuit breaker, Homeline, 2 x 1 pole at 20A, 120/240VAC, 10kA AIR, plug in, UL

HOMT2020

### Main

Product	Miniature circuit-breaker
Range	Homeline
Current Rating	20 A
Certifications	UL Listed
Voltage Rating	120/240 V AC
Mounting Type	Plug-in
Number of Poles	1P
Short Circuit Current Rating	10 kA
Number of Spaces	1
Circuit Breaker Type	Tandem
Ratings	HACR rated
Electrical Connection	Box lugs
Wire Size	1 x AWG 14...AWG 8 ( aluminium/copper )

### Complementary

Tightening torque	35.40 lbf.in (4.0 N.m) 0.00...0.01 in <sup>2</sup> (2.5...6 mm <sup>2</sup> ) (AWG 14...AWG 8)
Height	3.13 in (79.50 mm)
Width	1 in (25.40 mm)
Depth	2.98 in (75.69 mm)

### Environment

Ambient air temperature for operation	104 °F (40 °C)
---------------------------------------	----------------

### Ordering and shipping details

Category	00046-HOM/T 15-30A 1P; 15-60A 2P
Discount Schedule	DE3D
GTIN	785901065401
Returnability	Yes

Country of origin	MX
-------------------	----

## Packing Units

Unit Type of Package 1	PCE
Number of Units in Package 1	1
Package 1 Height	3.00 in (7.62 cm)
Package 1 Width	1.00 in (2.54 cm)
Package 1 Length	3.30 in (8.382 cm)
Package 1 Weight	7.20 oz (204.117 g)
Unit Type of Package 2	BB1
Number of Units in Package 2	10
Package 2 Height	3.80 in (9.652 cm)
Package 2 Width	1.00 in (2.54 cm)
Package 2 Length	10.40 in (26.416 cm)
Package 2 Weight	4.55 lb(US) (2.064 kg)
Unit Type of Package 3	PAL
Number of Units in Package 3	3600
Package 3 Height	40.00 in (101.6 cm)
Package 3 Width	40.00 in (101.6 cm)
Package 3 Length	48.00 in (121.92 cm)
Package 3 Weight	1656.00 lb(US) (751.148 kg)

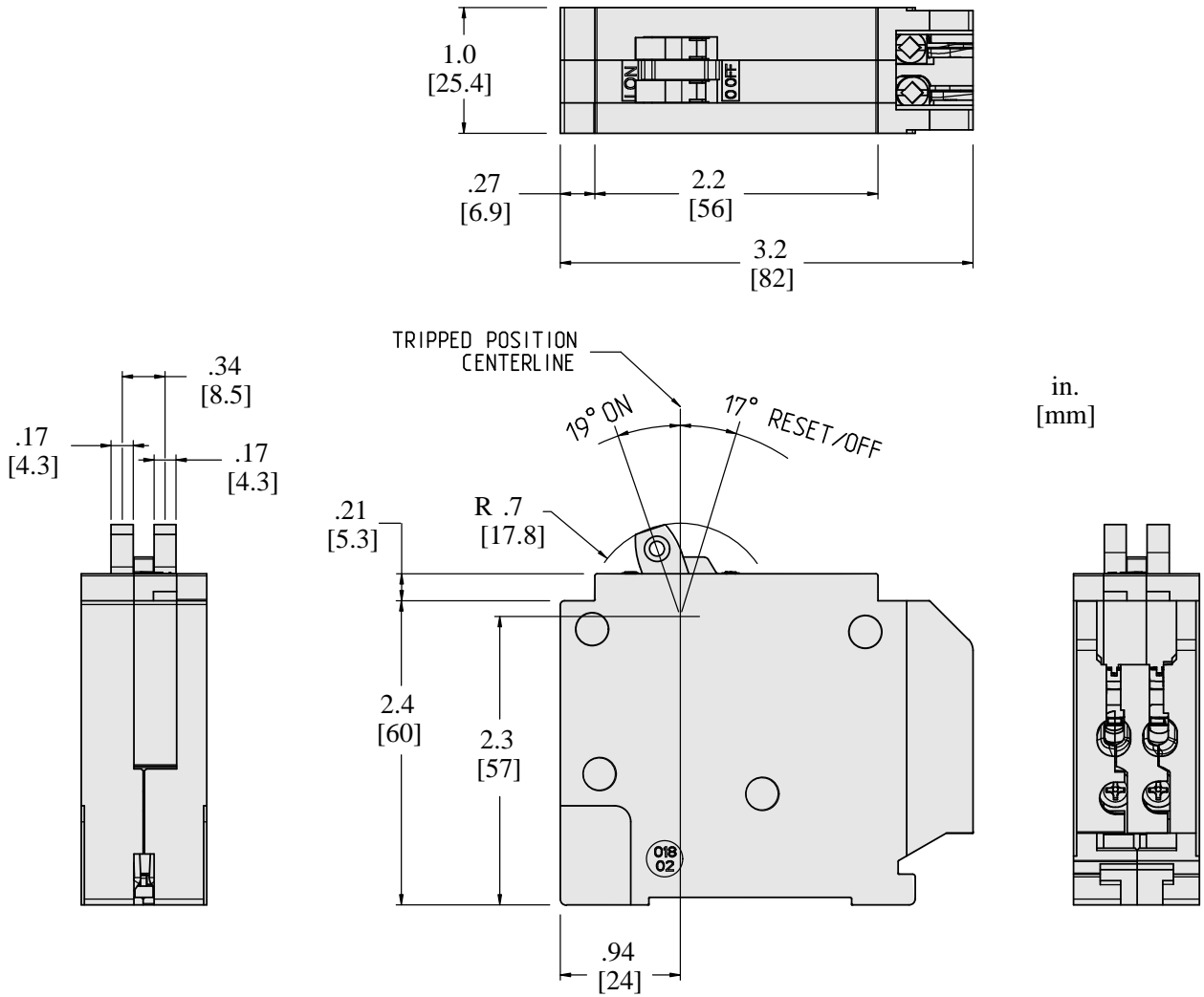
## Offer Sustainability

Sustainable offer status	Green Premium product
REACH Regulation	<a href="#">REACH Declaration</a>
EU RoHS Directive	Compliant <a href="#">EU RoHS Declaration</a>
Toxic heavy metal free	Yes
Mercury free	Yes
China RoHS Regulation	<a href="#">China RoHS declaration</a> Pro-active China RoHS declaration (out of China RoHS legal scope)
RoHS exemption information	Yes
Environmental Disclosure	<a href="#">Product Environmental Profile</a>

## Contractual warranty

Warranty	Lifetime
----------	----------

**Dimensions**



All dimensions are approximate. Also refer to technical drawings and documentation.

**Recommended replacement(s)**