

Product data sheet

Specifications

SQUARE D

Green Premium™



Tandem circuit breaker, Homeline, 2 x 1 pole at 15A, 120/240VAC, 10kA AIR, plug in, UL

HOMT1515

Main

Product	Miniature circuit-breaker
Range	Homeline
Current Rating	15 A
Certifications	UL Listed
Voltage Rating	120/240 V AC
Mounting Type	Plug-in
Number of Poles	1P
Short Circuit Current Rating	10 kA
Number of Spaces	1
Circuit Breaker Type	Tandem
Ratings	HACR rated
Electrical Connection	Box lugs
Wire Size	1 x AWG 14...AWG 8 (aluminium/copper)

Complementary

Tightening torque	35.40 lbf.in (4.0 N.m) 0.00...0.01 in ² (2.5...6 mm ²) (AWG 14...AWG 8)
Height	3.13 in (79.50 mm)
Width	1 in (25.40 mm)
Depth	2.98 in (75.69 mm)

Environment

Ambient air temperature for operation	104 °F (40 °C)
---------------------------------------	----------------

Ordering and shipping details

Category	00046-HOM/T 15-30A 1P; 15-60A 2P
Discount Schedule	DE3D
GTIN	785901065388
Returnability	Yes

Country of origin	MX
-------------------	----

Packing Units

Unit Type of Package 1	PCE
Number of Units in Package 1	1
Package 1 Height	1.00 in (2.54 cm)
Package 1 Width	3.00 in (7.62 cm)
Package 1 Length	3.20 in (8.128 cm)
Package 1 Weight	7.20 oz (204.117 g)
Unit Type of Package 2	BB1
Number of Units in Package 2	10
Package 2 Height	3.30 in (8.382 cm)
Package 2 Width	2.60 in (6.604 cm)
Package 2 Length	10.10 in (25.654 cm)
Package 2 Weight	4.50 lb(US) (2.041 kg)
Unit Type of Package 3	PAL
Number of Units in Package 3	3600
Package 3 Height	40.00 in (101.6 cm)
Package 3 Width	40.00 in (101.6 cm)
Package 3 Length	48.00 in (121.92 cm)
Package 3 Weight	1648.00 lb(US) (747.52 kg)

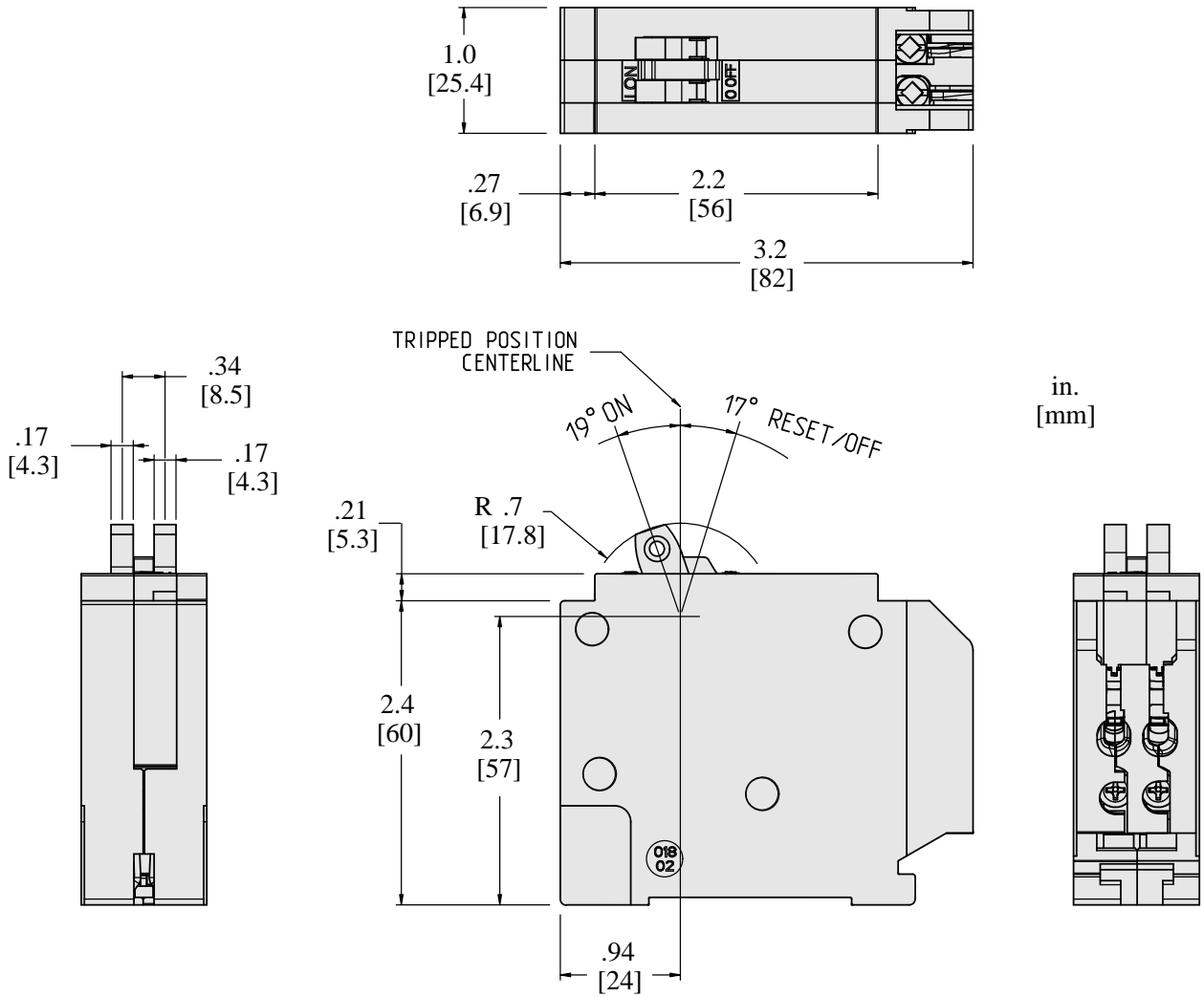
Offer Sustainability

Sustainable offer status	Green Premium product
REACH Regulation	REACH Declaration
EU RoHS Directive	Compliant EU RoHS Declaration
Toxic heavy metal free	Yes
Mercury free	Yes
China RoHS Regulation	China RoHS declaration Pro-active China RoHS declaration (out of China RoHS legal scope)
RoHS exemption information	Yes
Environmental Disclosure	Product Environmental Profile

Contractual warranty

Warranty	Lifetime
----------	----------

Dimensions



All dimensions are approximate. Also refer to technical drawings and documentation.

Recommended replacement(s)