

Product data sheet

Specifications

SQUARE D

Green Premium™



Load center, Homeline, 1 phase, 6 spaces, 12 circuits, 100A fixed main lugs, NEMA3R

HOM612L100RB

Main

Product Type	Load Center
Marketing Trade Name	Homeline
Load Center Type	Main lugs
Rated Current	100 A
Number of Spaces	6
Maximum Number of Single Pole Circuits	12
Enclosure Rating	NEMA 3R outdoor
Cover Type	Surface cover
Electrical Connection	Lugs

Complementary

Max Short Circuit Current Rating	10 kA
Maximum Number of Tandem Breakers	6
Number of Phases	1 phase
Voltage Rating	120/240 V AC
Wire Size	AWG 8...AWG 1 aluminium/copper
Ground Bar	Grounding bar (ordered separately)
Wiring Configuration	3-wire
Busbar Material	Tin plated aluminium busbar
Enclosure Material	Welded galvanized steel
Surface Finish	Baked enamel Gray
Box Number	2R
Height	12.64 in (321 mm)
Depth	4.25 in (108 mm)
Width	8.90 in (226 mm)

Disclaimer: This documentation is not intended as a substitute for and is not to be used for determining suitability or reliability of these products for specific user applications

Environment

Ambient Air Temperature for Operation	23 °F (-5 °C) 104 °F (40 °C)
Product Certifications	UL listed file E-6294

Ordering and shipping details

Category	00149-HOM 2-8 CKT,MLO,NEMA1&3R
Discount Schedule	DE3C
GTIN	785901061205
Nbr. of units in pkg.	1
Package weight(Lbs)	9.75 lb(US) (4.423 kg)
Returnability	Yes
Country of origin	MX

Packing Units

Unit Type of Package 1	PCE
Package 1 Height	5.00 in (12.7 cm)
Package 1 width	10.40 in (26.416 cm)
Package 1 Length	14.50 in (36.83 cm)
Unit Type of Package 2	PAL
Number of Units in Package 2	80
Package 2 Weight	781.28 lb(US) (354.382 kg)
Package 2 Height	40.00 in (101.6 cm)
Package 2 width	40.00 in (101.6 cm)
Package 2 Length	48.00 in (121.92 cm)

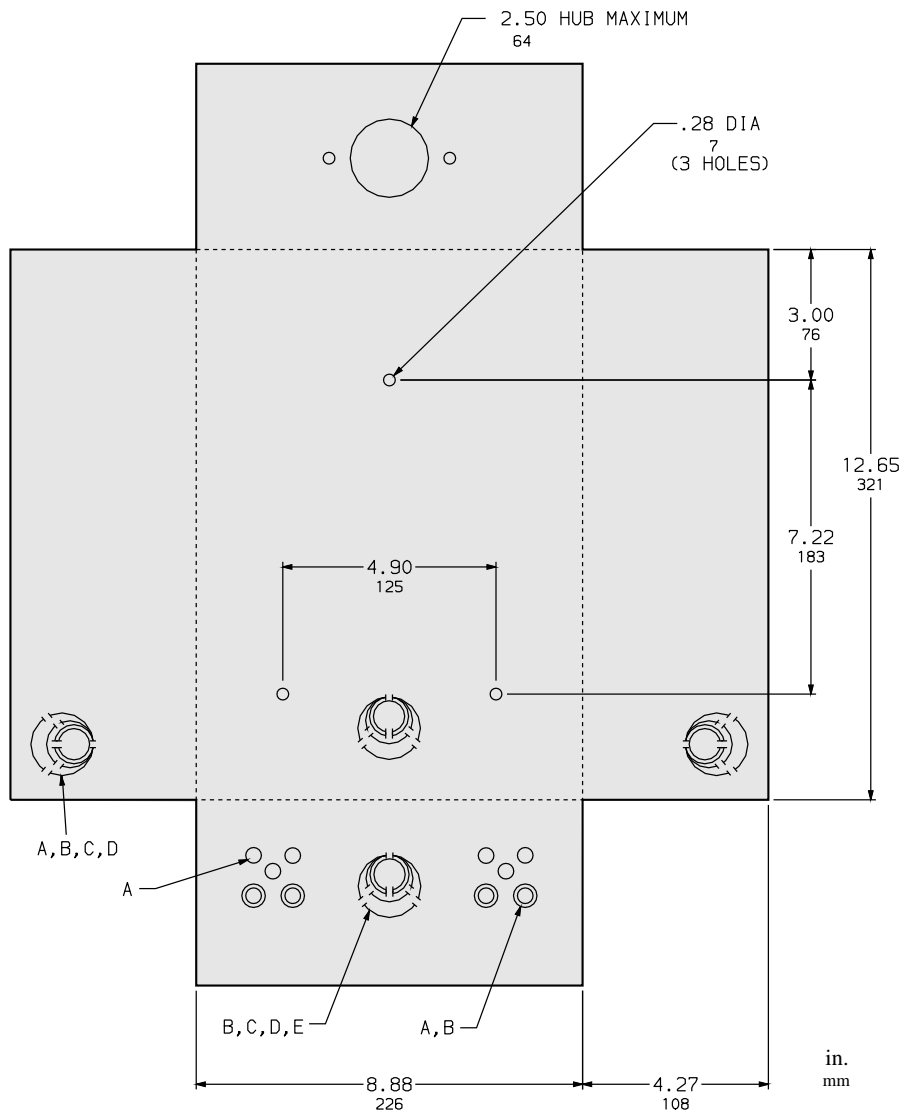
Offer Sustainability

Sustainable offer status	Green Premium product
California proposition 65	WARNING: This product can expose you to chemicals including: Lead and lead compounds, which is known to the State of California to cause cancer and birth defects or other reproductive harm. For more information go to www.P65Warnings.ca.gov
REACH Regulation	REACH Declaration
REACH free of SVHC	Yes
EU RoHS Directive	Compliant EU RoHS Declaration
Toxic heavy metal free	Yes
Mercury free	Yes
RoHS exemption information	Yes
China RoHS Regulation	China RoHS declaration Pro-active China RoHS declaration (out of China RoHS legal scope)
Environmental Disclosure	Product Environmental Profile

Contractual warranty

Warranty	Lifetime
----------	----------

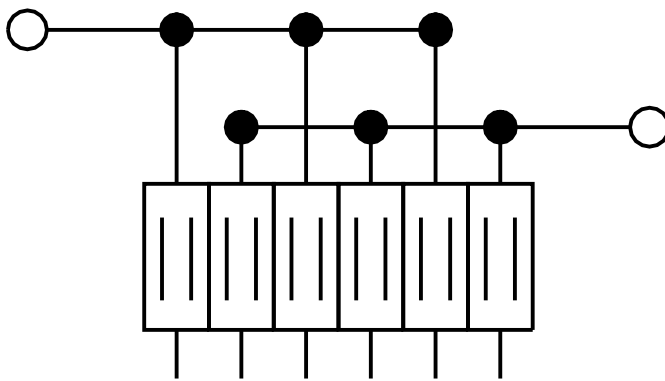
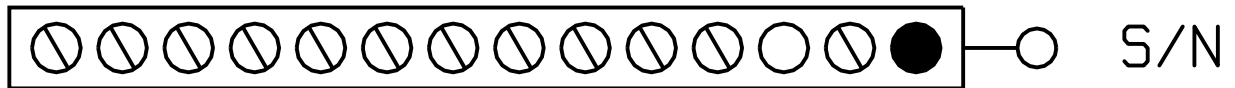
Dimensions



KNOCKOUTS					
SYMBOL	A	B	C	D	E
IN	.50	.75	1.00	1.25	1.50
MM	13	19	25	32	38

Dimensions are approximate. Refer to technical documentation for additional detail.

Wiring Diagram



HOM6-12L100RB