

# Product data sheet

Specifications

SQUARE D

Green Premium™



Load center, Homeline, 1 phase, 4 spaces, 8 circuits, 125A fixed main lugs, NEMA3R, gnd bar

HOM48L125GRB

## Main

Product Type	Load Center
Marketing Trade Name	Homeline
Load Center Type	Main lugs
Rated Current	125 A
Number of Spaces	4
Maximum Number of Single Pole Circuits	8
Enclosure Rating	NEMA 3R outdoor
Cover Type	Surface cover
Electrical Connection	Lugs
Provided Equipment	Grounding bar 1)

## Complementary

Max Short Circuit Current Rating	10 kA
Maximum Number of Tandem Breakers	4
Number of Phases	1 phase
Voltage Rating	120/240 V AC
Wire Size	AWG 14...AWG 2/0 copper AWG 12...AWG 2/0 aluminium
Ground Bar	Grounding bar included (not installed)
Wiring Configuration	3-wire
Busbar Material	Tin plated aluminium busbar
Enclosure Material	Welded galvanized steel
Surface Finish	Baked enamel Gray
Box Number	15R
Height	14.80 in (376 mm)
Depth	4.25 in (108 mm)
Width	8.90 in (226 mm)

Disclaimer: This documentation is not intended as a substitute for and is not to be used for determining suitability or reliability of these products for specific user applications

## Environment

Ambient Air Temperature for Operation 23 °F (-5 °C)  
104 °F (40 °C)

Product Certifications UL listed file E-6294

## Ordering and shipping details

Category 00149-HOM 2-8 CKT,MLO,NEMA1&3R

Discount Schedule DE3C

GTIN 785901484370

Nbr. of units in pkg. 1

Package weight(Lbs) 11.05 lb(US) (5.012 kg)

Returnability Yes

Country of origin MX

## Packing Units

Unit Type of Package 1 PCE

Package 1 Height 4.80 in (12.192 cm)

Package 1 width 10.30 in (26.162 cm)

Package 1 Length 16.10 in (40.894 cm)

Unit Type of Package 2 PAL

Number of Units in Package 2 80

Package 2 Weight 924.00 lb(US) (419.119 kg)

Package 2 Height 37.00 in (93.98 cm)

Package 2 width 40.00 in (101.6 cm)

Package 2 Length 48.00 in (121.92 cm)

## Offer Sustainability

Sustainable offer status Green Premium product

California proposition 65 WARNING: This product can expose you to chemicals including: Lead and lead compounds, which is known to the State of California to cause cancer and birth defects or other reproductive harm. For more information go to [www.P65Warnings.ca.gov](http://www.P65Warnings.ca.gov)

REACH Regulation [REACH Declaration](#)

REACH free of SVHC Yes

EU RoHS Directive Compliant  
[EU RoHS Declaration](#)

Toxic heavy metal free Yes

Mercury free Yes

RoHS exemption information [Yes](#)

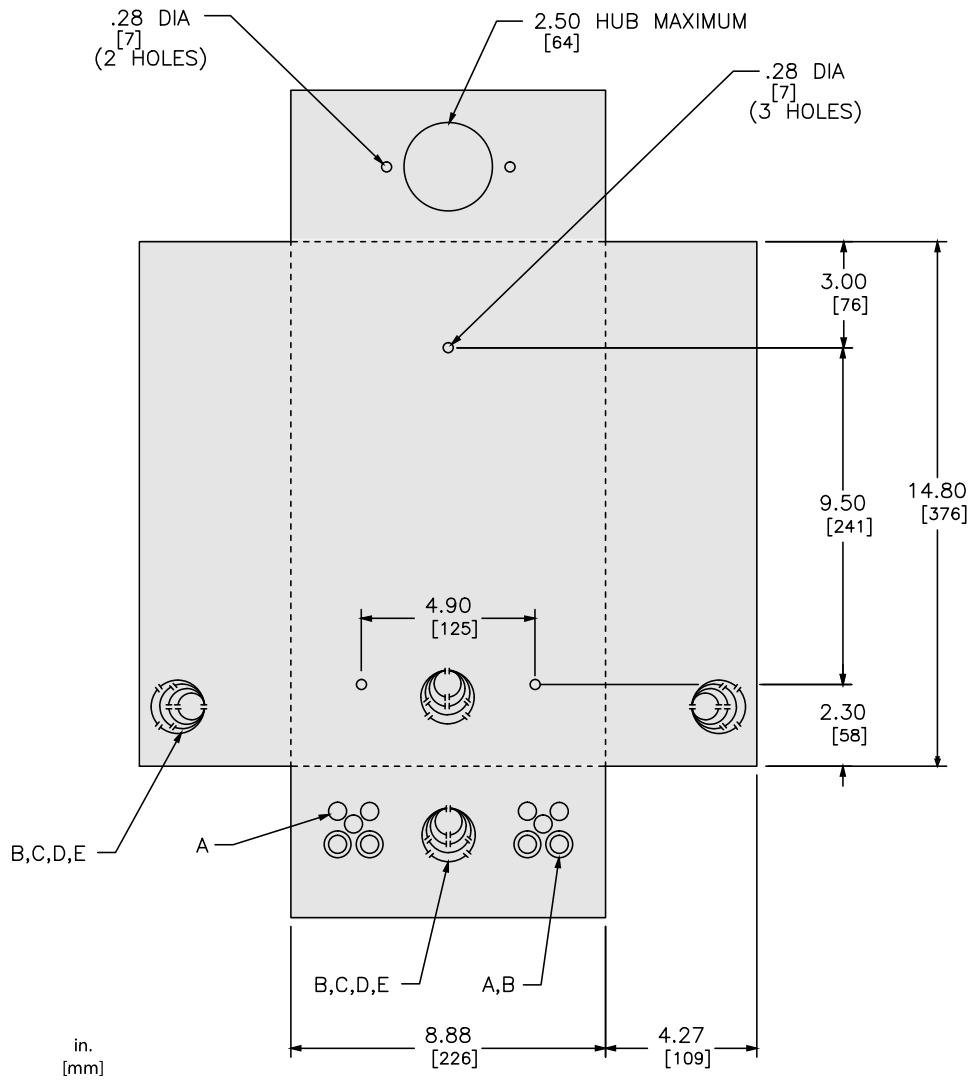
China RoHS Regulation [China RoHS declaration](#)  
Pro-active China RoHS declaration (out of China RoHS legal scope)

Environmental Disclosure [Product Environmental Profile](#)

## Contractual warranty

Warranty Lifetime

**Dimensions**

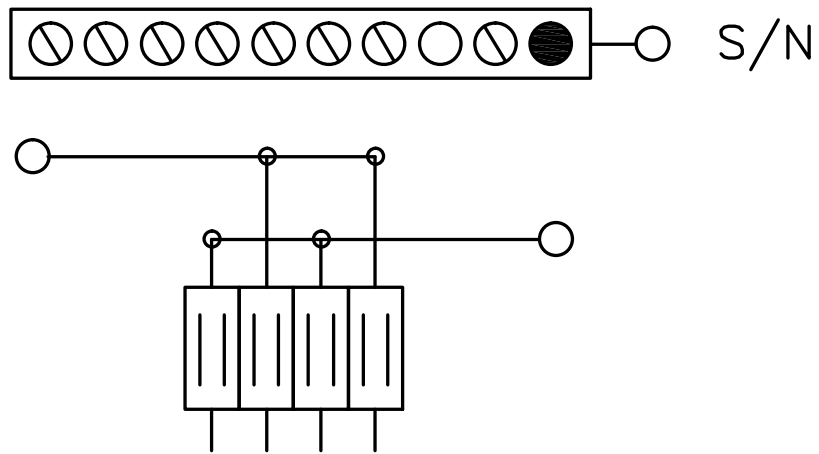


KNOCKOUTS					
SYMBOL	A	B	C	D	E
IN	.50	.75	1.00	1.25	1.50
MM	13	19	25	32	38

All dimensions are approximate. Also refer to technical drawings and documentation.

Wiring Diagram

---



HOM4-8L125GRB