

Product data sheet

Specifications

SQUARE D

Green Premium™



Load center, Homeline, 1 phase, 12 spaces, 24 circuits, 125A convertible main lugs, PoN, NEMA3R

HOM1224L125PRB

Main

Product Type	Load Center
Marketing Trade Name	Homeline
Load Center Type	Main lugs
Rated Current	125 A
Number of Spaces	12
Maximum Number of Single Pole Circuits	24
Enclosure Rating	NEMA 3R outdoor
Cover Type	Surface cover
Electrical Connection	Lugs

Complementary

Max Short Circuit Current Rating	10 kA
Maximum Number of Tandem Breakers	12
Number of Phases	1 phase
Voltage Rating	120/240 V AC
Wire Size	AWG 6...AWG 2/0 aluminium AWG 6...AWG 1 copper
Wiring Configuration	3-wire
Busbar Material	Tin plated aluminium busbar
Enclosure Material	Welded galvanized steel
Surface Finish	Baked enamel Gray
Box Number	3R
Height	18.94 in (481 mm)
Depth	4.53 in (115 mm)
Width	14.76 in (375 mm)

Disclaimer: This documentation is not intended as a substitute for and is not to be used for determining suitability or reliability of these products for specific user applications

Environment

Ambient Air Temperature for Operation 23 °F (-5 °C)
104 °F (40 °C)

Product Certifications UL listed file E-6294

Ordering and shipping details

Category 00145-HOM LC&CVR,12-42CKT NEMA3R

Discount Schedule DE3C

GTIN 785901863670

Nbr. of units in pkg. 1

Package weight(Lbs) 20.75 lb(US) (9.412 kg)

Returnability Yes

Country of origin US

Packing Units

Unit Type of Package 1 PCE

Package 1 Height 5.20 in (13.208 cm)

Package 1 width 15.50 in (39.37 cm)

Package 1 Length 20.80 in (52.832 cm)

Unit Type of Package 2 PAL

Number of Units in Package 2 45

Package 2 Weight 951.00 lb(US) (431.366 kg)

Package 2 Height 43.50 in (110.49 cm)

Package 2 width 40.00 in (101.6 cm)

Package 2 Length 48.00 in (121.92 cm)

Offer Sustainability

Sustainable offer status Green Premium product

California proposition 65 WARNING: This product can expose you to chemicals including: Lead and lead compounds, which is known to the State of California to cause cancer and birth defects or other reproductive harm. For more information go to www.P65Warnings.ca.gov

REACH Regulation [REACH Declaration](#)

REACH free of SVHC Yes

EU RoHS Directive Compliant
[EU RoHS Declaration](#)

Toxic heavy metal free Yes

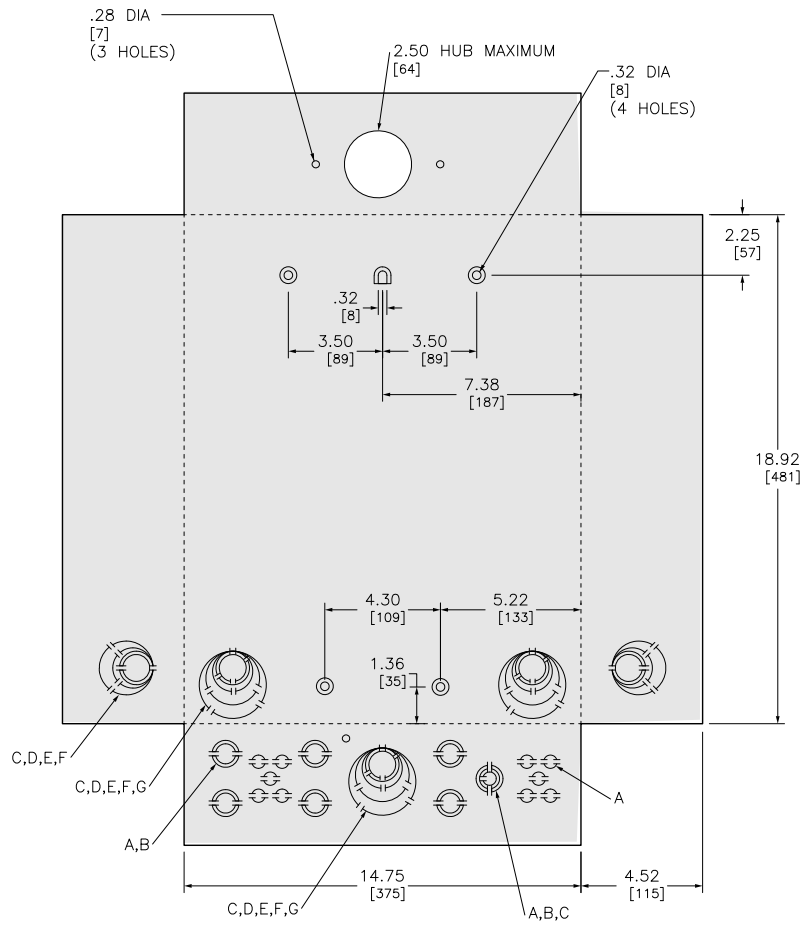
Mercury free Yes

RoHS exemption information [Yes](#)

China RoHS Regulation [China RoHS declaration](#)
Pro-active China RoHS declaration (out of China RoHS legal scope)

Environmental Disclosure [Product Environmental Profile](#)

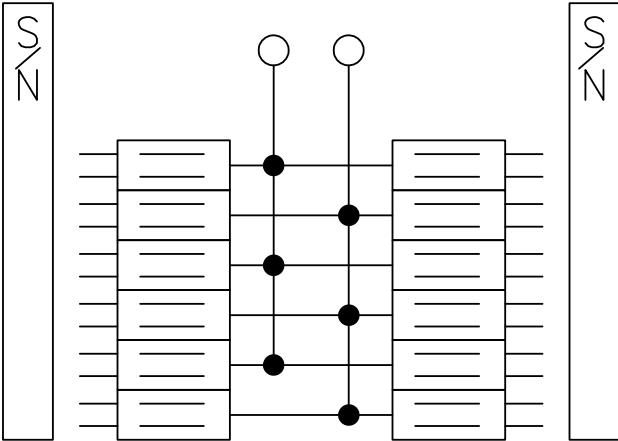
Dimensions



KNOCKOUTS							
SYMBOL	A	B	C	D	E	F	G
IN	.50	.75	1.00	1.25	1.50	2.00	2.50
MM	13	19	25	32	38	51	64

ALL DIMENSIONS ARE APPROXIMATE.
 ALSO REFER TO TECHNICAL DRAWINGS AND DOCUMENTATION.

Wiring Diagram



HOM1224L125PRB