

# Product data sheet

Specifications

SQUARE D

Green Premium™



Mini circuit breaker, Homeline, 20A, 1 pole, 120VAC, 10kA AIR, combo ARC/ground fault, plug on neutral, plug in, UL

HOM120PDF

## Main

Product	Miniature circuit-breaker
Range	Homeline
Current Rating	20 A
Certifications	UL Listed
Voltage Rating	120 V AC
Mounting Type	Plug-in
Number of Poles	1P
Short Circuit Current Rating	10 kA
Number of Spaces	1
Circuit Breaker Type	Combination ARC-fault and ground fault class A 6 mA
Ratings	HACR rated
Electrical Connection	Clamp terminal for 2 cables
Wire Size	1 x AWG 14...AWG 8 ( aluminium/copper ) 2 x AWG 14...AWG 10 ( copper )

## Complementary

Connections - Terminals	Plug-on neutral
Tightening torque	35.40 lbf.in (4.0 N.m) 0.00...0.01 in <sup>2</sup> (2.5...6 mm <sup>2</sup> ) (AWG 14...AWG 8)
Height	3.13 in (79.50 mm)
Width	1 in (25.40 mm)
Depth	2.98 in (75.69 mm)

## Environment

Ambient air temperature for operation	104 °F (40 °C)
---------------------------------------	----------------

## Ordering and shipping details

Category	06301-HOM SINGLE POLE ARC FAULT CIRCUIT BREAKER
Discount Schedule	DE3D

GTIN	785901978343
Returnability	Yes
Country of origin	MX

## Packing Units

Unit Type of Package 1	PCE
Number of Units in Package 1	1
Package 1 Height	4.00 in (10.16 cm)
Package 1 Width	5.00 in (12.7 cm)
Package 1 Length	1.20 in (3.048 cm)
Package 1 Weight	9.60 oz (272.155 g)
Unit Type of Package 2	CAR
Number of Units in Package 2	40
Package 2 Height	3.70 in (9.398 cm)
Package 2 Width	20.80 in (52.832 cm)
Package 2 Length	13.70 in (34.798 cm)
Package 2 Weight	25.90 lb(US) (11.748 kg)

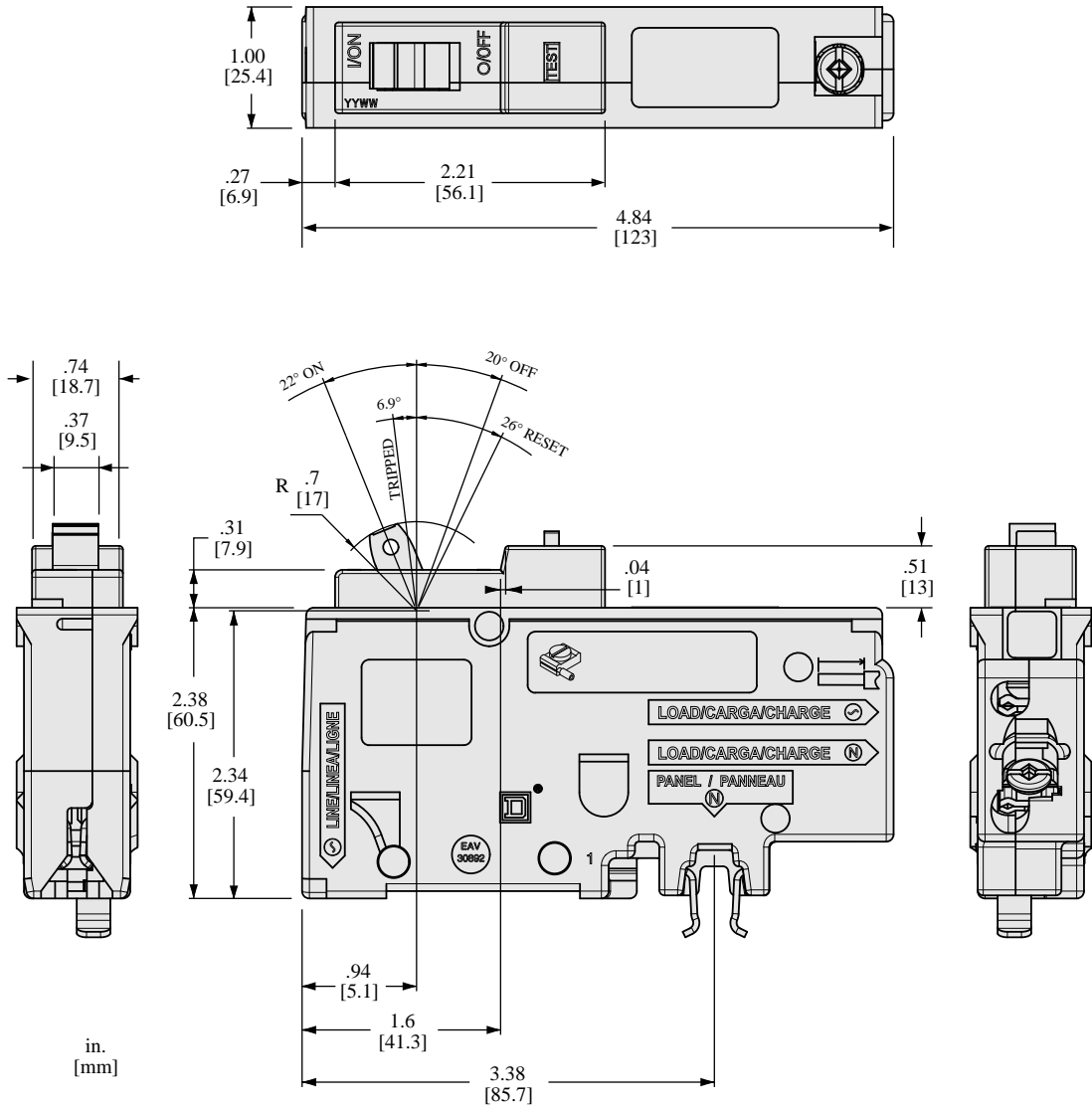
## Offer Sustainability

Sustainable offer status	Green Premium product
REACH Regulation	<a href="#">REACH Declaration</a>
EU RoHS Directive	Compliant <a href="#">EU RoHS Declaration</a>
Mercury free	Yes
China RoHS Regulation	<a href="#">China RoHS declaration</a> Product out of China RoHS scope. Substance declaration for your information.
RoHS exemption information	<a href="#">Yes</a>
Environmental Disclosure	<a href="#">Product Environmental Profile</a>
Circularity Profile	<a href="#">End of Life Information</a>
Halogen content performance	Halogen free product

## Contractual warranty

Warranty	Lifetime
----------	----------

Dimensions



All dimensions are approximate.  
 Also refer to technical drawings and/or documentation

Recommended replacement(s)