

Product data sheet

Specifications

SQUARE D

Green Premium™



Mini circuit breaker, Homeline, 20A, 1 pole, 120VAC, 10kA AIR, ground fault class A, plug in, UL

HOM120GFI

Main

Product	Miniature circuit-breaker
Range	Homeline
Current Rating	20 A
Certifications	UL Listed
Voltage Rating	120 V AC
Mounting Type	Plug-in
Number of Poles	1P
Short Circuit Current Rating	10 kA
Number of Spaces	1
Circuit Breaker Type	Ground fault protecting class A 6 mA
Ratings	HACR rated
Electrical Connection	Screw clamp terminals
Wire Size	1 x AWG 14...AWG 10 (aluminium/copper)

Complementary

Tightening torque	36.29 lbf.in (4.1 N.m) 0.00...0.01 in ² (2.5...6 mm ²) (AWG 14...AWG 10)
Height	3.13 in (79.50 mm)
Width	1 in (25.40 mm)
Depth	2.98 in (75.69 mm)

Environment

Ambient air temperature for operation	104 °F (40 °C)
---------------------------------------	----------------

Ordering and shipping details

Category	00063-HOM 1 POLE GFI CB,20A MAX
Discount Schedule	DE3D
GTIN	785901065371
Returnability	Yes

Country of origin	MX
-------------------	----

Packing Units

Unit Type of Package 1	PCE
Number of Units in Package 1	1
Package 1 Height	2.78 in (7.05 cm)
Package 1 Width	0.41 in (1.03 cm)
Package 1 Length	4.35 in (11.05 cm)
Package 1 Weight	10.41 oz (295.0 g)
Unit Type of Package 2	CAR
Number of Units in Package 2	38
Package 2 Height	3.95 in (10.03 cm)
Package 2 Width	13.80 in (35.05 cm)
Package 2 Length	20.48 in (52.03 cm)
Package 2 Weight	24.71 lb(US) (11.21 kg)

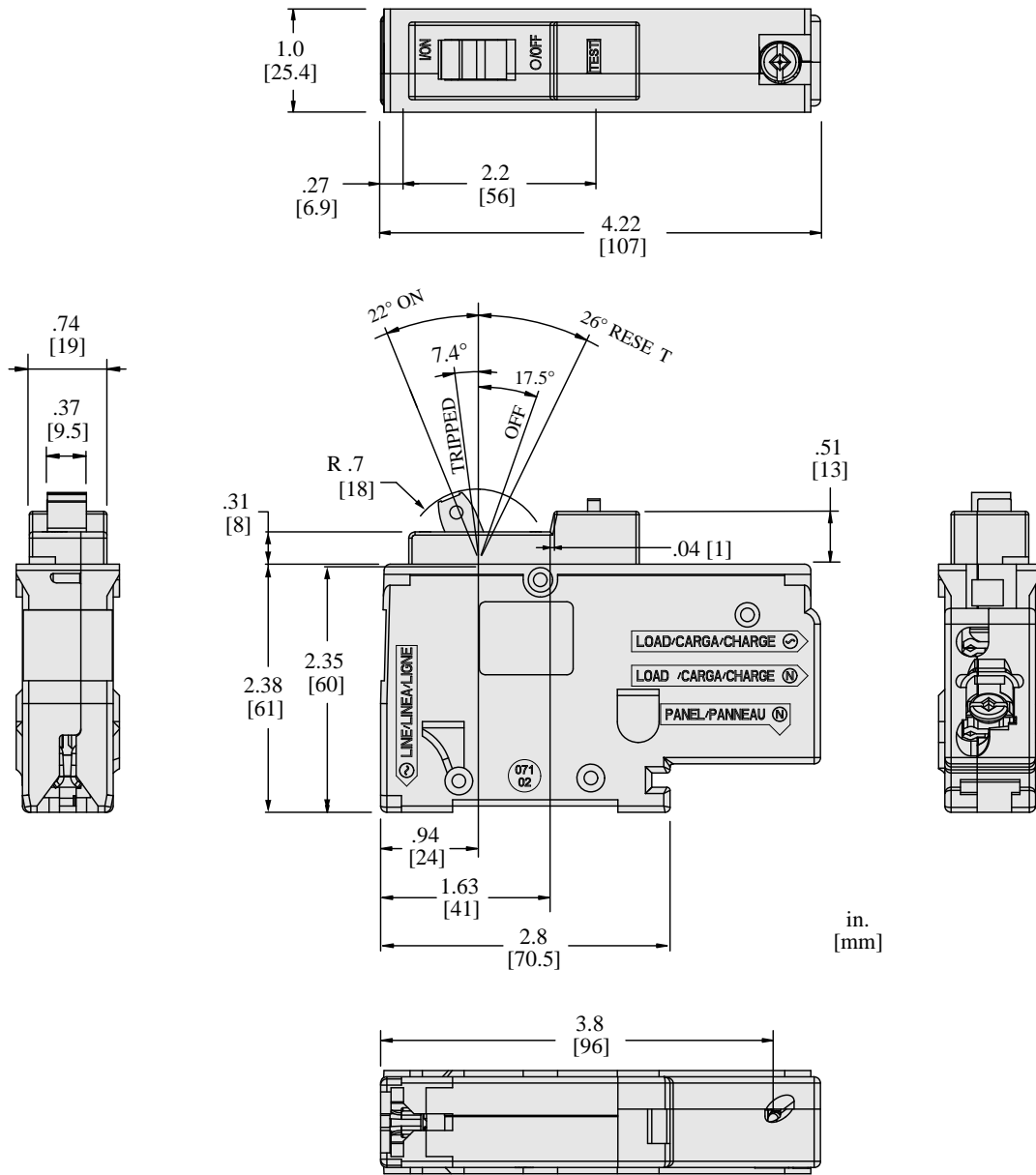
Offer Sustainability

Sustainable offer status	Green Premium product
California proposition 65	WARNING: Cancer and Reproductive Harm - www.P65Warnings.ca.gov
REACH Regulation	REACH Declaration
EU RoHS Directive	Compliant EU RoHS Declaration
Mercury free	Yes
China RoHS Regulation	China RoHS declaration Product out of China RoHS scope. Substance declaration for your information.
RoHS exemption information	Yes
Environmental Disclosure	Product Environmental Profile
Circularity Profile	End of Life Information
Halogen content performance	Halogen free product

Contractual warranty

Warranty	Lifetime
----------	----------

Dimensions



All dimensions are approximate. Also refer to technical drawings and documentation.

Recommended replacement(s)