

# H361NRB

Safety switch, heavy duty, fusible, 30A, 3 poles, 20 hp, 20 hp, 600 VAC/DC, NEMA 3R, bolt-on hub, neutral



## Main

Product	Single Throw Safety Switch
Current Rating	30 A
Certifications	UL listed file E2875
Enclosure Rating	NEMA 3R galvanized steel
Factory Installed Neutral	Neutral (factory installed)
Disconnect Type	Fusible disconnect
Short Circuit Current Rating	10 KA H or K 200 kA R, J or L
Mounting Type	Surface
Number of Poles	3
Electrical Connection	Lugs
Duty Rating	Heavy duty
Voltage Rating	600 V AC/DC
Wire Size	AWG 12...AWG 6 aluminium AWG 14...AWG 6 copper

## Complementary

Maximum Horse Power Rating	5 Hp 480 V AC 50...60 Hz 3 phase NEC 240.6 15 Hp 480 V AC 50...60 Hz 3 phase NEC 430.52 7.5 Hp 600 V AC 50...60 Hz 3 phase NEC 240.6 20 Hp 600 V AC 50...60 Hz 3 phase NEC 430.52 15 hp 600 V DC
Maximum Height	14.88 in (377.95 mm)
Maximum Depth	4.86 in (123.44 mm)
Maximum Width	7.55 in (191.77 mm)
Tightening torque	45 Lbf.in (5.08 N.m) 0.02 in <sup>2</sup> (13.3 mm <sup>2</sup> ) AWG 6) 40 Lbf.in (4.52 N.m) 0.01 in <sup>2</sup> (8.367 mm <sup>2</sup> ) AWG 8) 35 lbf.in (3.95 N.m) 0.00...0.01 in <sup>2</sup> (2.06...5.261 mm <sup>2</sup> ) AWG 14...AWG 10)

## Ordering and shipping details

Category	00009 - H&HU SW,2&3P,N3R,30-200A
Discount Schedule	DE1
GTIN	00785901122487
Nbr. of units in pkg.	1
Package weight(Lbs)	8.77 lb(US) (3.98 kg)
Returnability	Yes
Country of origin	US

## Packing Units

Unit Type of Package 1	PCE
Package 1 Height	5.20 in (13.208 cm)
Package 1 width	7.70 in (19.558 cm)
Package 1 Length	16.20 in (41.148 cm)
Unit Type of Package 2	PAL
Number of Units in Package 2	120
Package 2 Weight	1086.00 lb(US) (492.601 kg)
Package 2 Height	45.50 in (115.57 cm)

Package 2 width	40.00 in (101.6 cm)
Package 2 Length	48.00 in (121.92 cm)

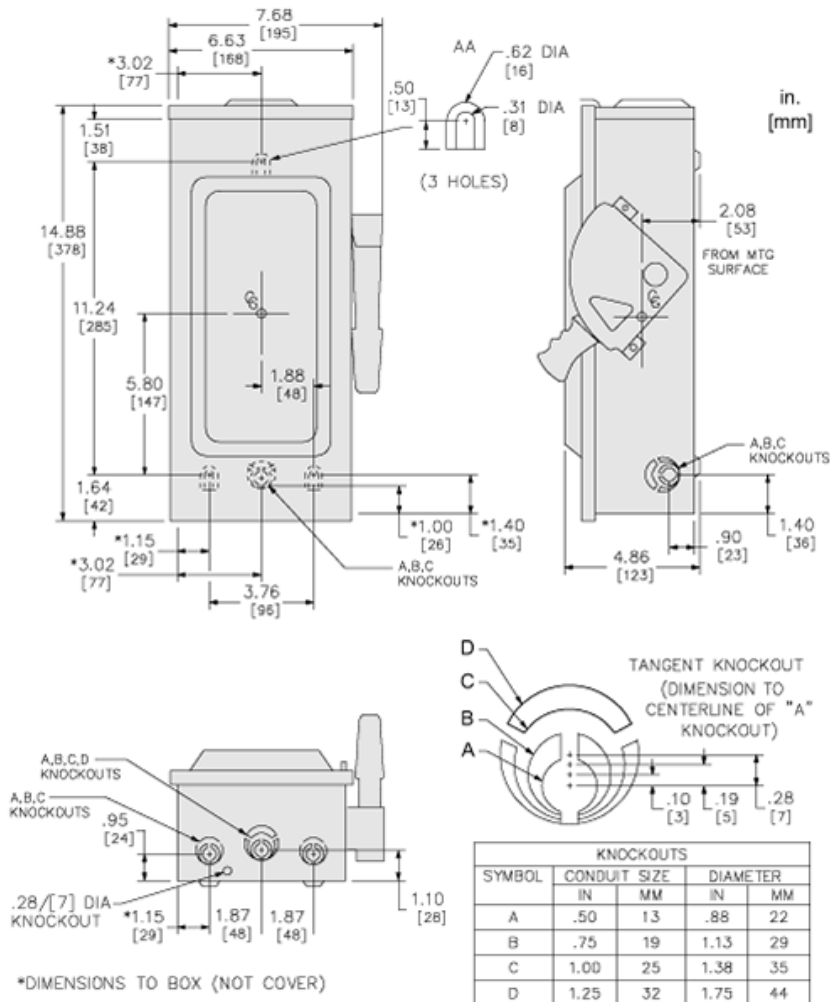
### Offer Sustainability

Sustainable offer status	Green Premium product
REACH Regulation	<a href="#">REACH Declaration</a>
REACH free of SVHC	Yes
EU RoHS Directive	Compliant <a href="#">EU RoHS Declaration</a>
Mercury free	Yes
RoHS exemption information	<a href="#">Yes</a>
China RoHS Regulation	<a href="#">China RoHS Declaration</a>
Environmental Disclosure	<a href="#">Product Environmental Profile</a>
PVC free	Yes

### Contractual warranty

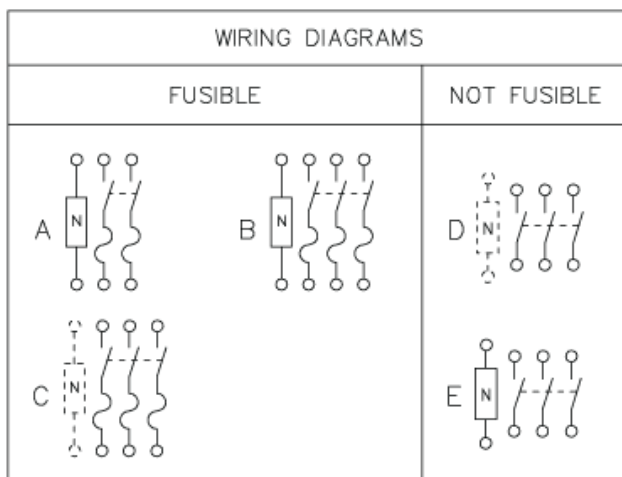
Warranty	18 months
----------	-----------

Approximate Dimensions



## Connections and Wiring Diagrams

CATALOG NUMBER	VOLTAGE RATINGS	AMPERAGE RATINGS	WIRING DIAG
H221NRB	240VAC,250VDC	30	A
H321NRB	240VAC,250VDC	30	B
H361NRB	600VAC,600VDC	30	B
H361RB	600VAC,600VDC	30	C
HU361RB	600VAC,600VDC	30	D
HU361RBEI	600VAC,600VDC	30	D
HU361NRB	600VAC,600VDC	30	E



TERMINAL LUGS			
AMPERES	MAX WIRE	MIN WIRE	TYPE
30	#6 AWG	#14 AWG	AL OR CU