

Product data sheet

Specifications

SQUARE D

Green Premium™



Safety switch, general duty, fusible, 30A, 2 poles, 7.5 hp, 120 VAC, NEMA 3R, bolt-on provision, neutral factory installed

D221NRB

Main

Product	Single Throw Safety Switch
Duty Rating	General duty
Device Application	Residential
Disconnect Type	Fusible disconnect switch
Factory Installed Neutral	Neutral (factory installed)
Phase	3 phase
Number of Poles	2
Current Rating	30 A
Voltage Rating	240 V AC
Enclosure Rating NEMA	NEMA 3R
Maximum Horse Power Rating	1.5 hp 240 V at AC 60 Hz for 1 phase conforming to NEC 240.6 3 hp 240 V at AC 60 Hz for 3 phase conforming to NEC 240.6 3 hp 240 V at AC 60 Hz for 1 phase conforming to NEC 430.52 7.5 hp 240 V at AC 60 Hz for 3 phase conforming to NEC 430.52

Complementary

Short Circuit Current Rating	100 kA maximum depending on fuse H, K or R
Fuse type	H, K or R
Mounting Type	Surface
Electrical Connection	Lugs
Wiring configuration	3-wire
Wire Size	AWG 14...AWG 6 copper AWG 12...AWG 6 aluminium
Tightening torque	30 lbf.in (3.39 N.m) 0.00...0.02 in ² (2.08...13.3 mm ²) (AWG 14...AWG 6)
Depth	3.63 in (92.20 mm)
Width	7.25 in (184.15 mm)
Height	9.25 in (234.95 mm)
Net Weight	16.98 lb(US) (7.7 kg)

Disclaimer: This documentation is not intended as a substitute for and is not to be used for determining suitability or reliability of these products for specific user applications

Environment

Certifications UL listed file E2875

Ordering and shipping details

Category	00106-D & DU SW,NEMA3R, 30-200A
Discount Schedule	DE1A
GTIN	785901460589
Nbr. of units in pkg.	1
Package weight(Lbs)	4.75 lb(US) (2.155 kg)
Returnability	Yes
Country of origin	MX

Packing Units

Unit Type of Package 1	PCE
Package 1 Height	5.30 in (13.462 cm)
Package 1 width	7.80 in (19.812 cm)
Package 1 Length	10.00 in (25.4 cm)
Unit Type of Package 2	PAL
Number of Units in Package 2	150
Package 2 Weight	767.00 lb(US) (347.905 kg)
Package 2 Height	40.00 in (101.6 cm)
Package 2 width	40.00 in (101.6 cm)
Package 2 Length	48.00 in (121.92 cm)
Unit Type of Package 3	CAR
Number of Units in Package 3	5
Package 3 Weight	25.10 lb(US) (11.385 kg)
Package 3 Height	10.60 in (26.924 cm)
Package 3 width	23.70 in (60.198 cm)
Package 3 Length	10.20 in (25.908 cm)

Offer Sustainability

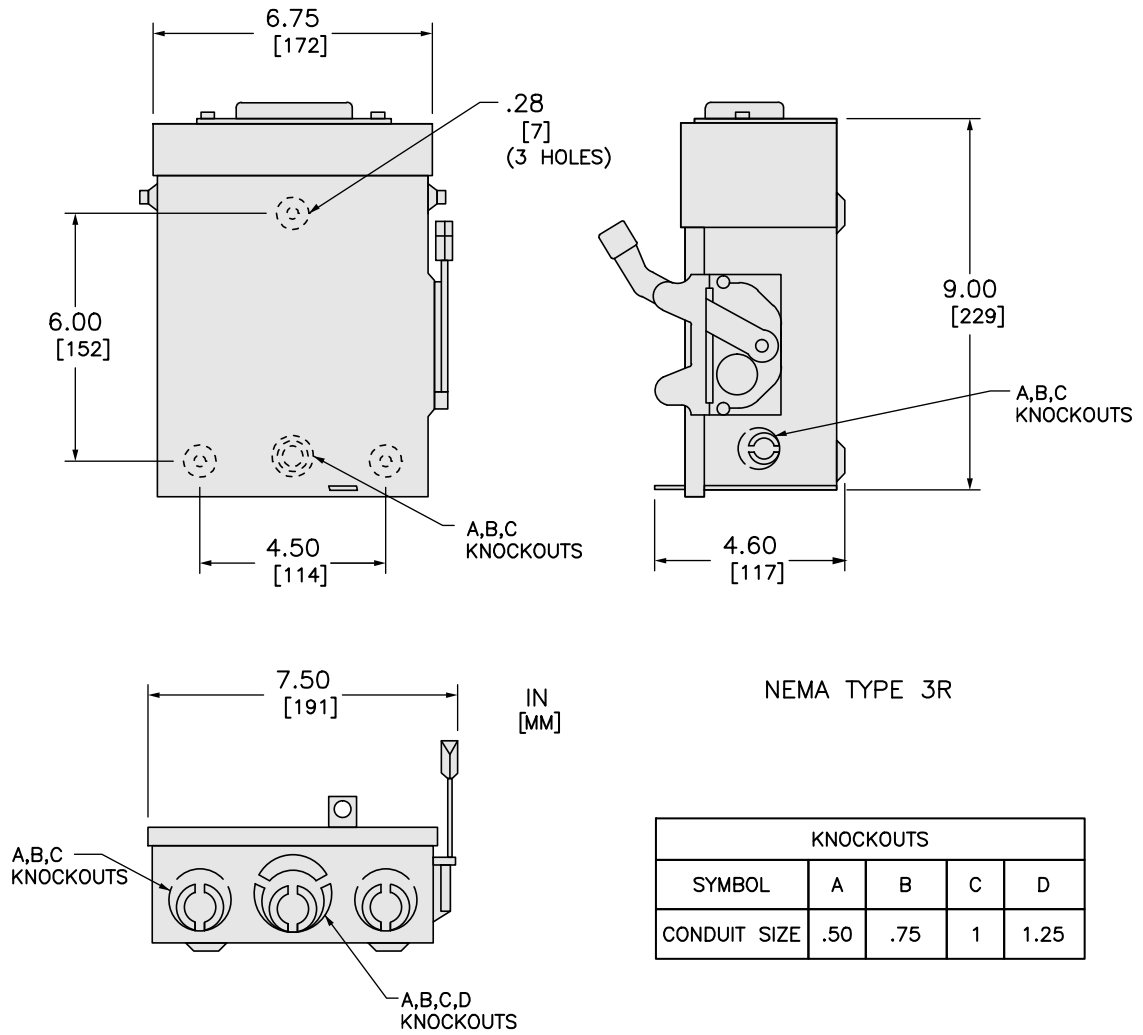
Sustainable offer status	Green Premium product
California proposition 65	WARNING: This product can expose you to chemicals including: Lead and lead compounds, which is known to the State of California to cause cancer and birth defects or other reproductive harm. For more information go to www.P65Warnings.ca.gov
REACH Regulation	REACH Declaration
REACH free of SVHC	Yes
EU RoHS Directive	Compliant EU RoHS Declaration
Mercury free	Yes
RoHS exemption information	Yes
China RoHS Regulation	China RoHS declaration Product out of China RoHS scope. Substance declaration for your information.
Environmental Disclosure	Product Environmental Profile
PVC free	Yes

Contractual warranty

Warranty

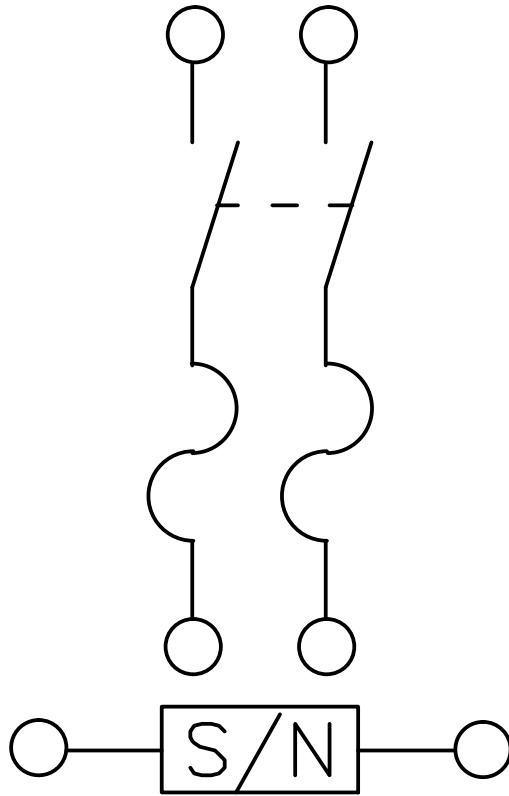
18 months

Dimensions



TOP OF NEMA TYPE 3R DEVICES HAVE PROVISIONS FOR MAX 2.50/[64] BOLT-ON HUB.
 ALL DIMENSIONS ARE APPROXIMATE. REFER TO TECHNICAL DRAWINGS AND DOCUMENTATION FOR COMPLETE DETAILS.

Wiring Diagram



D211NRB

D221NRB