

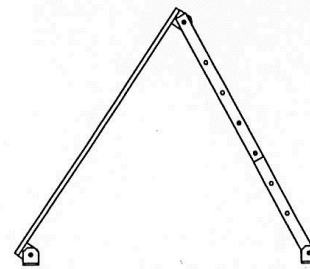
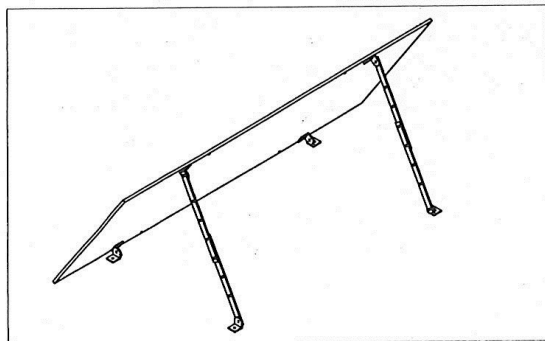
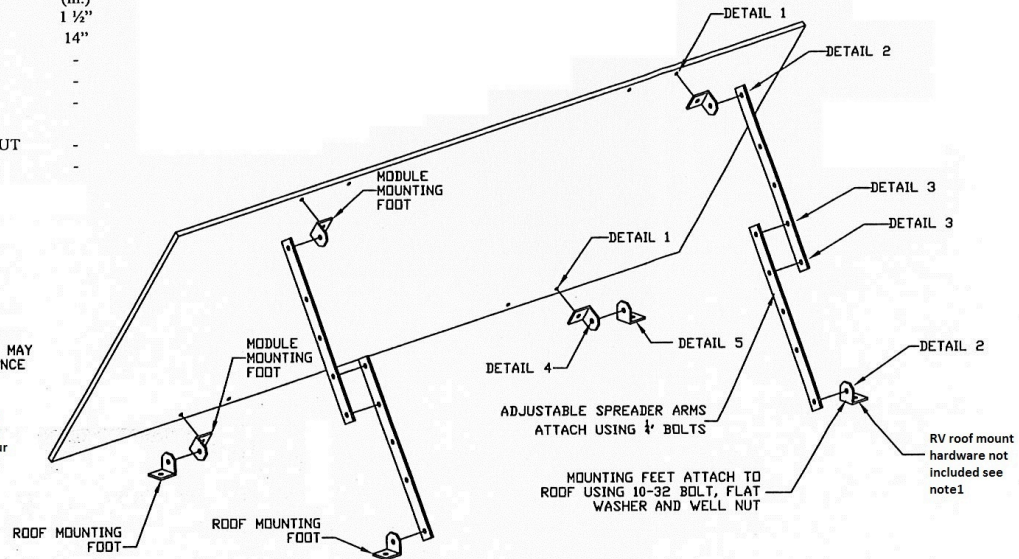
RV Universal Rooftop Solar Panel Tilt Mount Kit

QTY	PART	LENGTH (in.)
8	1.5"x1.5"x 1/8" MOUNTING FOOT	1 1/2"
4	1"x 3/16" FLATBAR SPREADER	14"
4	1/4" STAINLESS STEEL FLAT WASHER	-
14	1/4" STAINLESS STEEL LOCK WASHER	-
12	1/4" STAINLESS STEEL NUT	-
4	1/4" STAINLESS STEEL WING NUT	-
2	1/4" STAINLESS STEEL NYLON LOCK NUT	-
14	1/4" X 3/4" STAINLESS STEEL BOLTS	-

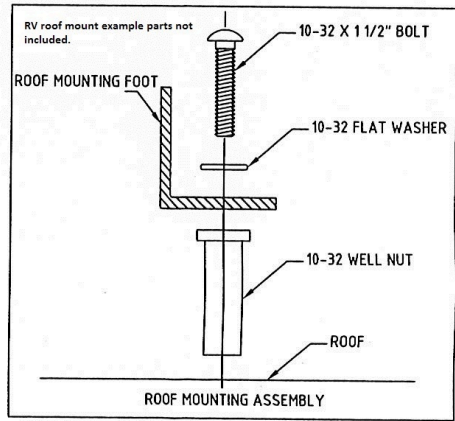
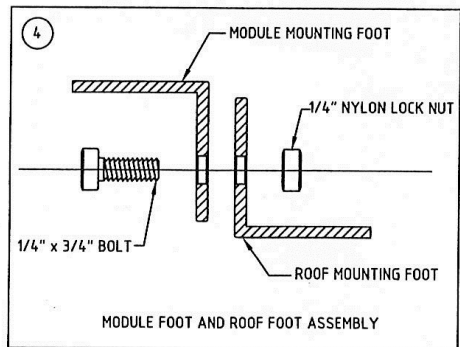
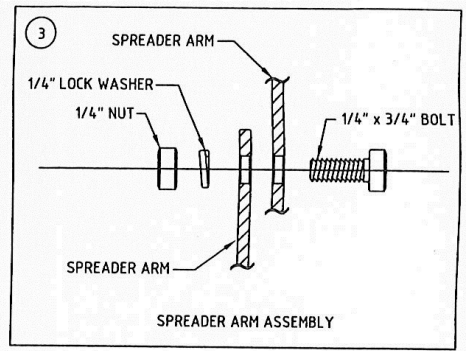
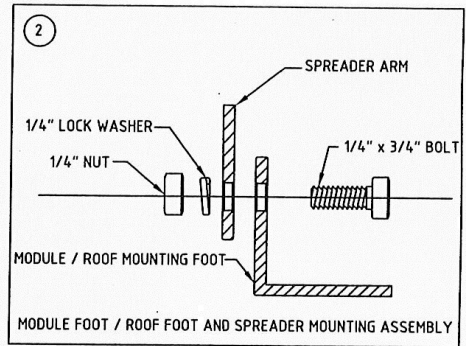
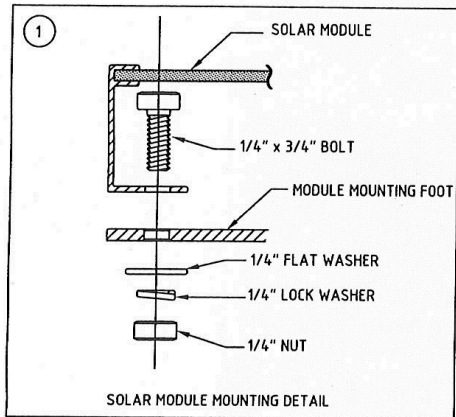
NOTES:

WING NUTS INCLUDED AS AN OPTION FOR QUICK ADJUSTMENT; THEIR USE HOWEVER MAY NOT BE ALLOWED UNDER CERTAIN INSURANCE CLAIMS. PLEASE CONFIRM BEFORE USING.

Due to different type of RV roof we recommend that you use mounting methods that fit best for your flat RV roof surfaces. When you mount the bracket to your RV roof make sure it is securely fasten on top your RV roof and sealed water tight.



RV Universal Rooftop Solar Panel Tilt Mount Kit



Best Angle for Your Solar Panel

For references only power output varies

Latitude	Angle	% of optimum
25°	22.2	74%
30°	27.1	74%
35°	32.0	74%
40°	36.9	75%
45°	41.8	75%
50°	46.7	75%