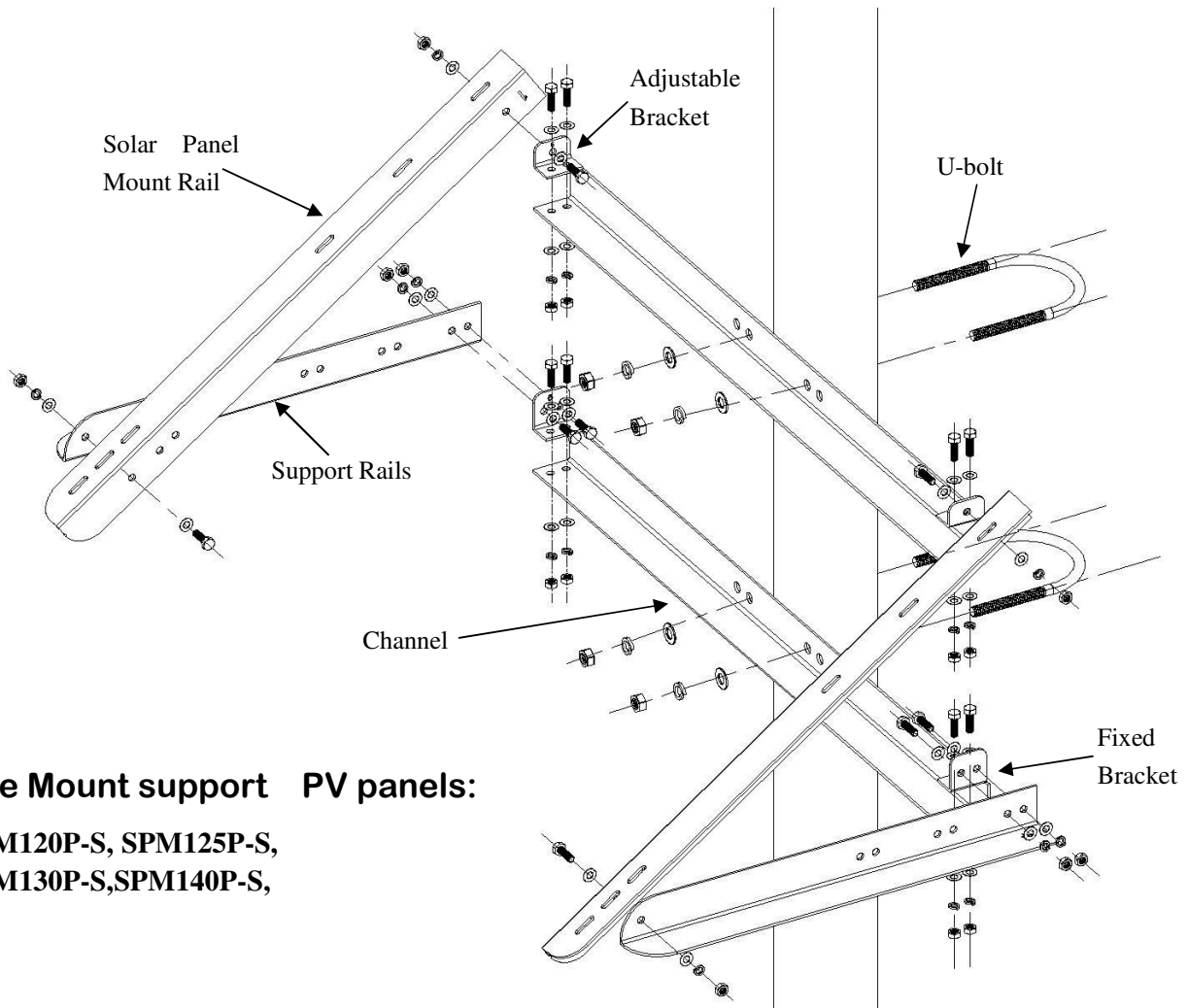


## Solartech Power Universal Side-of-Pole Mount Installation Guide



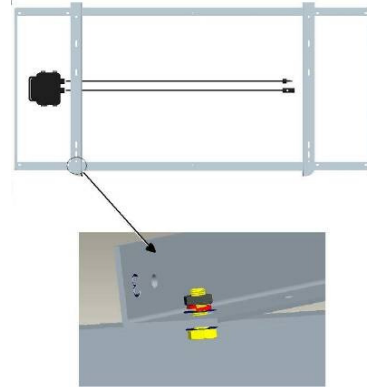
### The Mount support PV panels:

SPM120P-S, SPM125P-S,  
SPM130P-S, SPM140P-S,

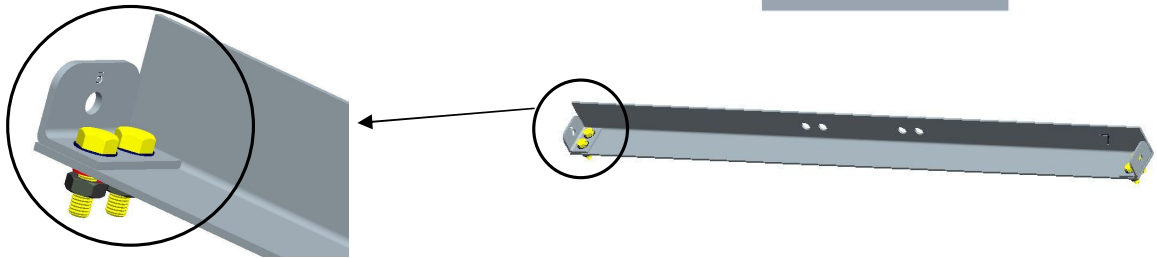
| Component List                   |     |         |
|----------------------------------|-----|---------|
| Part                             | Qty | ID code |
| Solar Panel Mount Rail           | 2   | 1,3     |
| Channel                          | 2   | 7, 8    |
| Support Rails                    | 2   | 2,4     |
| Adjustable Bracket               | 2   | 5       |
| Fixed Bracket                    | 2   | 6       |
| U-bolt for $\varnothing$ 4' pole | 2   |         |
| M12 hex-cap bolt for U-bolt      | 4   |         |
| M12 flat washer for U-bolt       | 4   |         |
| M12 split lock washer for U-bolt | 4   |         |
| M12 hex nut for U-bolt           | 4   |         |
| M10 hex-cap bolt                 | 16  |         |
| M10 flat washer                  | 16  |         |
| M10 split lock washer            | 16  |         |
| M10 hex nut                      | 16  |         |

**Step 1 - mounting the rail supports on the PV module**

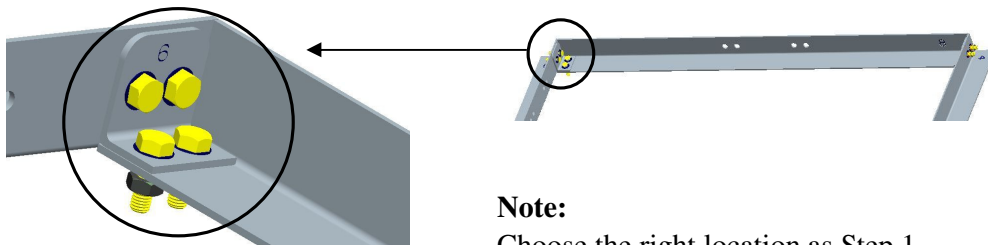
Lay the PV module face down on a protected surfaced and attach Solar Panel Mount Rail and finger tighten.



**Step 2 - attaching the adjustable bracket to the top channels and finger tighten.**



**Step 3 Attaching the fixed bracket to the bottom channels, then bolt one end of support rail (with optional hole location) to the corresponding fixed bracket, and finger tighten.**

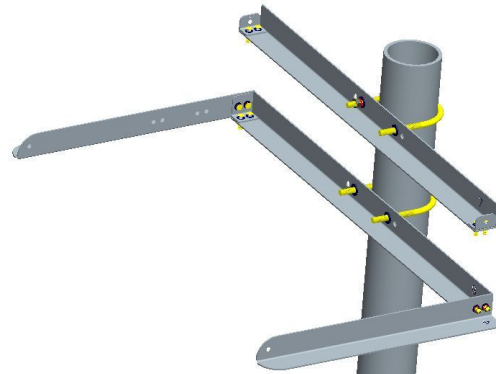


**Note:**  
Choose the right location as Step 1

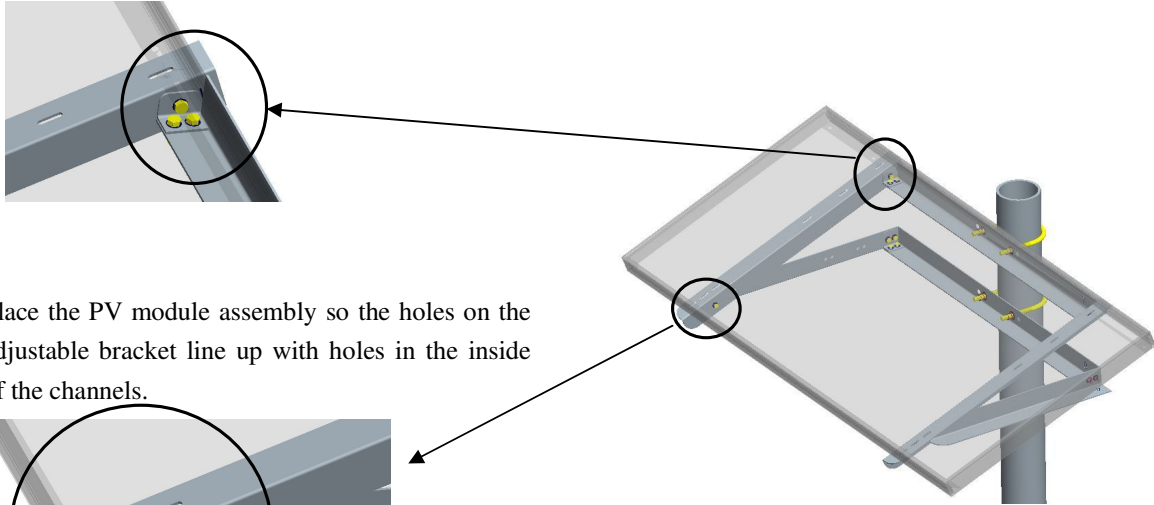
**Step 4 - attaching the channels to the pole**

**TIP:**

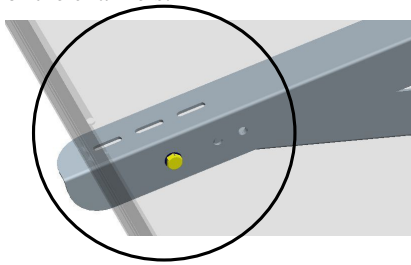
Lock the top channels on pole, left bottom channel slack, so you can adjust the angle easily



**Step 5 - mounting the PV assembly on the pole**



Place the PV module assembly so the holes on the adjustable bracket line up with holes in the inside of the channels.



安装好的组件和支架 Photo of Assembled Mount.

