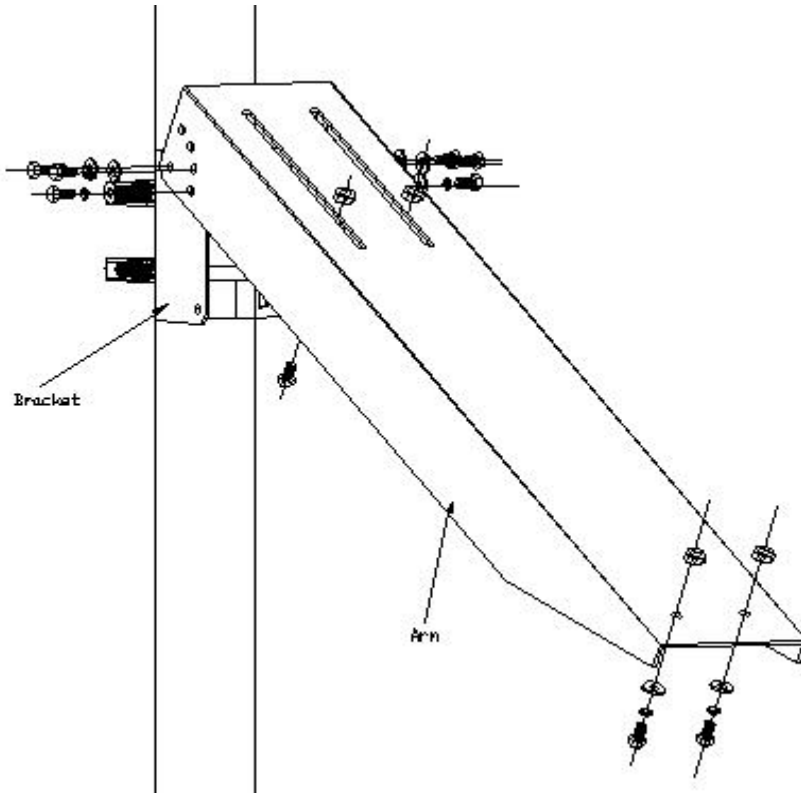


Solartech Power Universal Side-of-Pole Mount Installation Guide



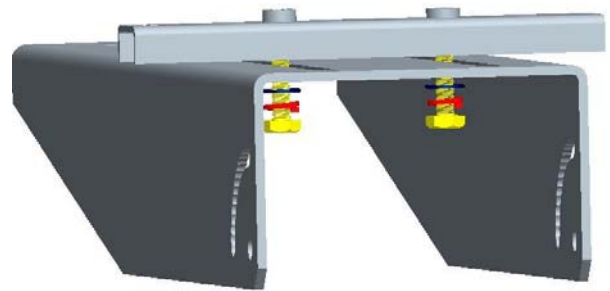
The Mount supports PV modules:

SPM040P, SPM045P, SPM050P, SPM055P

Component List		
Part	Qty	ID code
Bracket	1	1
Arm	1	2
U-Bolt	2	4
M8 U-Clamp for 2.5" pole	2	
M8 尼龙 hex-cap bolt for U-bolt	4	
M6 *25 hex-cap bolt for Bracket	6	
M6 flat washer for Bracket	6	
M6 split lock washer for Bracket	6	
M6 *18 hex-cap bolt for PV Module	4	
M6 flat washer for PV Module	4	
M6 split lock washer for PV Module	4	
M6 hex nut for PV Module	4	

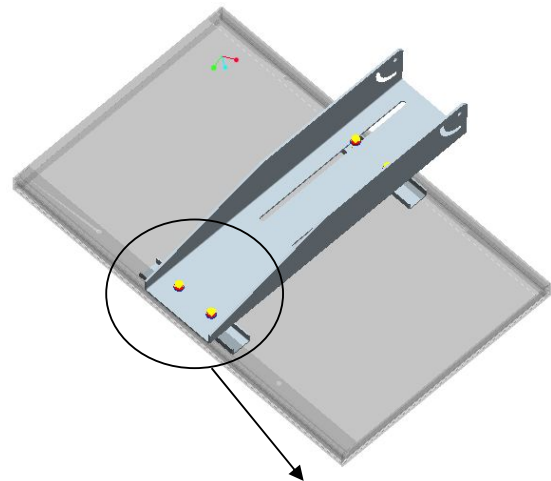
Step 1 - mounting the arm to the PV module

Insert a bolt, washer and PV module clamp through one of the slots.
Place a washer, lock washer and hex nut on the end of the bolt, and tighten loosely

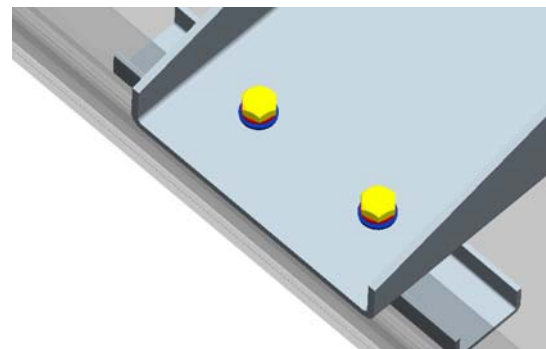


Lay the PV Module face-down on a protected flat surface.

Center the arm on the back of the panel as shown and position the clamps under the edges of the module's flange.

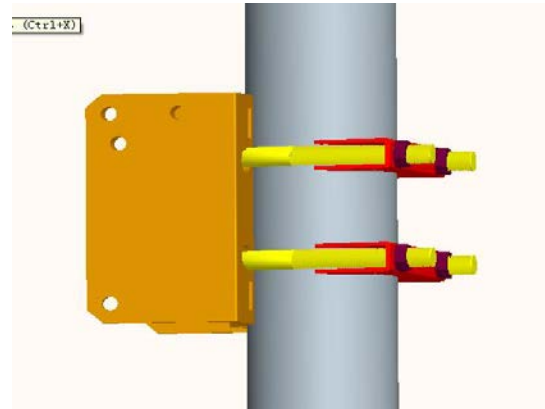


Make sure that the clamp bolts are resting against the module's flange before tightening



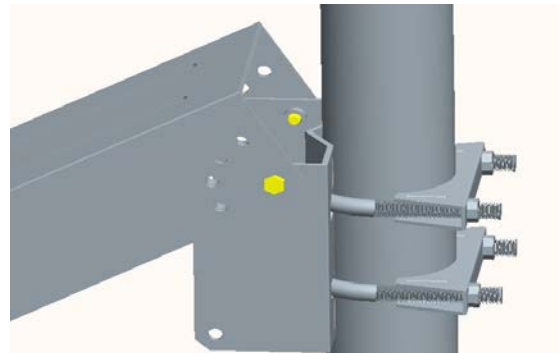
Step 2 - attaching the bracket to the pole

Adjust the backing bracket to desire height and then attached the U-clamp on the pole as shown in picture.

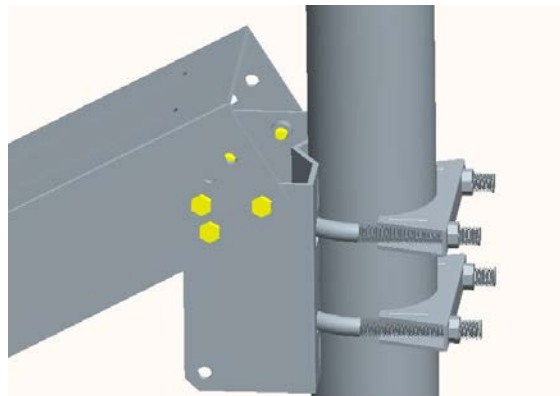


Step 3 - attaching the panel/arm assembly to the bracket

Insert the pivot bolt and flat washer first this will enable you to adjust the angle.



the bolt from outside and insert the washer from two sets on each side installed.



tighten the bolts

