

SolarEdge Slim Current Transformer

SECT-SPL-225A-T-20

ACCESSORIES



Easily fits into home Main Service Panels, for simpler, faster installations

- Works seamlessly with SolarEdge consumption meters (external or built-in to the Energy Hub inverter)
- Boosts customer satisfaction by enabling real-time energy insight for greater electricity savings
- Increases installer revenue by creating more opportunities to expand system size or add smart capabilities like batteries, EV charging and smart energy devices
- High system accuracy (with SolarEdge meters) of $\pm 1.25\%$
- Clamp and split-core design, with single-handed installation
- Supports CT paralleling, enabling measurements of more load conductors
- Includes 17ft twisted pair cable, eliminating need for extension cable and additional labor when installing inverters with built-in consumption meter
- Simplified support and logistics with a single vendor

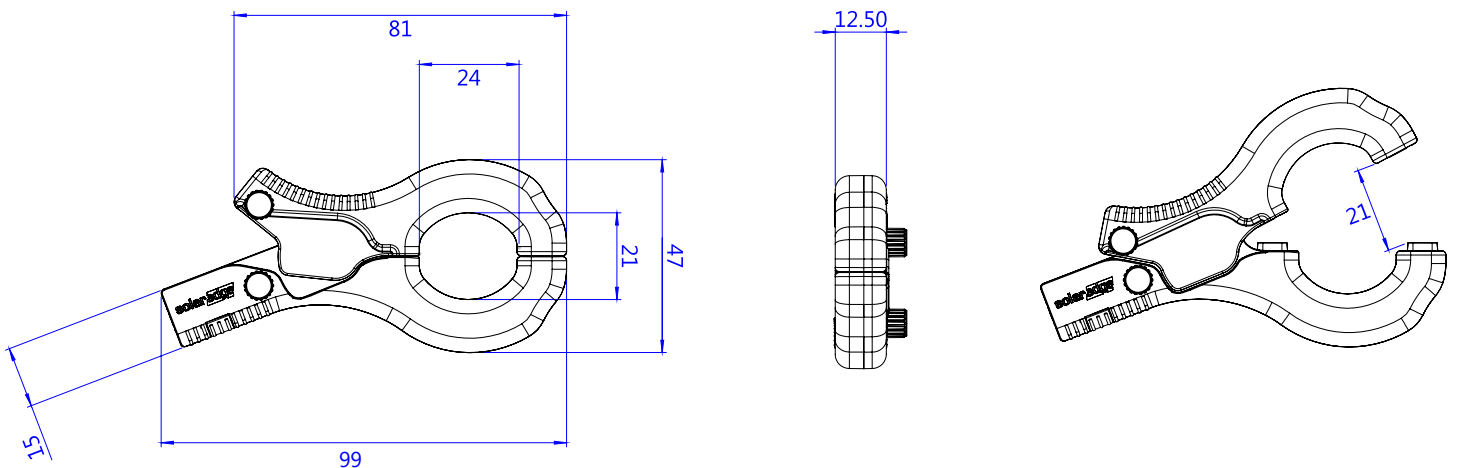
/ SolarEdge Slim Current Transformer

SECT-SPL-225A-T-20

Model number: SECT-S1

SECT-SPL-225A-T-20		UNITS
ELECTRICAL SPECIFICATION		
Accuracy (1% - 100% of rated current)	±1	%
CT Phase Angle (10% - 100% of rated current)	< ±2.0	Degrees
Nominal Line Frequency	60 / 50	Hz
Current Rating	225 (@ 600 Vac)	A
Output Voltage	0 - 333	mVac
Oversvoltage Category	CAT III 600V	Vac
Maximum Primary Conductor Gauge	300	kcmil
Maximum Continuous Amps	300	A
MECHANICAL		
Type	Split core, clamp design	
Dimensions: Overall (H x W x L)	1.85 x 0.49 x 4.05 / 47 x 12.5 x 99	Inch / mm
Average Window Diameter	0.885 / 22.6	Inch / mm
Lead Wire	Type	Twisted pair
	Length	17 / 5.2
	Gauge	18 / 20 ⁽¹⁾
Material	Polycarbonate	
Weight	7.5 / 213	Oz / g
ENVIRONMENTAL		
Operating Temperature Range	-40 to 140 / -40 to 60	°F / °C
Operating Humidity	5% to 90% relative humidity	
IP Rating	30 (NEMA 1)	
STANDARDS		
Safety for US/CAN	UL 2808 (XOBA) listed, meets 2017 NEC code requirements for field installation	
RoHS	Compliant	

(1) 18 AWG or 20 AWG can be used interchangeably



* All dimensions are in millimeters