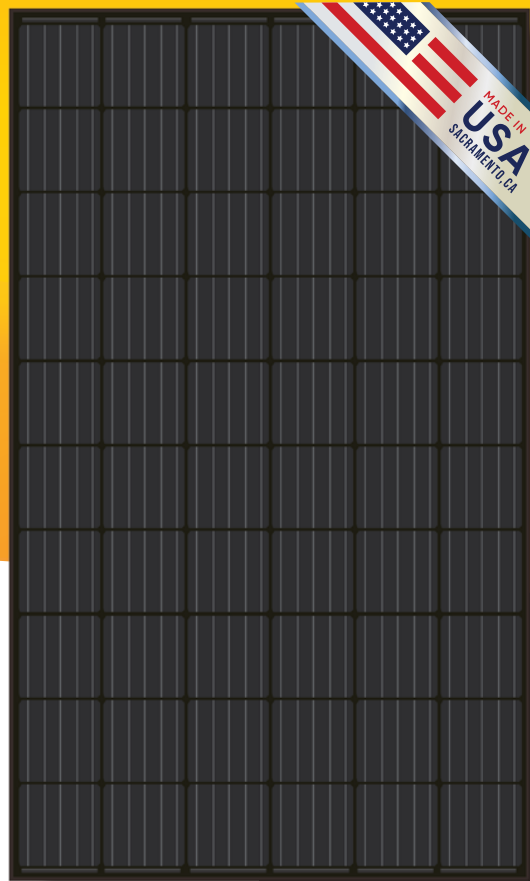




S4A-US330B

345W

Mono Perc
All-Black
Crystalline Module



320W-345W



America's Home for
Quality, Service, & Warranty

Our products are local, top-quality, and cost competitive
manufactured in *Sacramento, CA.*

- Custom Design for Transmission
- Outstanding Temperature Coefficient
- Minimize Micro-crack and Free of Snail Trails
- Excellent Performance under Lowlight Condition
- Anti PID** Excellent Anti-PID Performance
- Certified for Salt/Ammonia Corrosion Resistance
- Wind to 2400PA
Snow to 5400PA
- Lower LCOE
- Suitable for Harsh Environments such as Coast and Lakes
- Fire Resistant up to Class C

MODULE EFFICIENCY

20.72%

HIGH POWER OUTPUT

345W



SolarJuice Technology Inc. is headquartered and has module production facilities in Sacramento, California. Our S4A branded product line offers high quality, exceptional performance, and great value to our customers. Our state-of-the-art manufacturing facility uses industry-leading automated production equipment to optimize product performance and quality.

*Details refers to the warranty documents

S4A-US330B

60 Cell | Mono Perc | All-Black | Crystalline Module

ELECTRICAL CHARACTERISTICS AT STANDARD TEST CONDITIONS (STC)

Module Type	S4A345	S4A340	S4A335	S4A330	S4A325	S4A320
Maximum Power - Pmax (W)	345	340	335	330	325	320
Open Circuit Voltage - Voc (V)	41.4	41.2	41.0	40.8	40.6	40.4
Short Circuit Current - Isc (A)	10.47	10.39	10.3	10.22	10.12	10.03
Maximum Power Voltage - Vmpp (V)	34.0	33.8	33.6	33.4	33.2	33.0
Maximum Power Current - Imp (A)	10.15	10.06	9.97	9.88	9.79	9.7
Module Efficiency	20.72%	20.42%	20.12%	19.82%	19.52%	19.22%

Standard Test Conditions (STC): irradiance 1,000 W/m²; AM 1.5; module temperature 25°C. Tolerance of Pmp: 0~+3%.
Measuring uncertainty of power: ±3%.

ELECTRICAL CHARACTERISTICS AT NORMAL OPERATING CELL TEMPERATURE (NOCT)

Module Type	S4A345	S4A340	S4A335	S4A330	S4A325	S4A320
Maximum Power - Pmax (W)	257	253	249	245	242	238
Open Circuit Voltage - Voc (V)	38.27	38.09	37.91	37.72	37.54	37.35
Short Circuit Current - Isc (A)	8.47	8.40	8.33	8.26	8.18	8.11
Maximum Power Voltage - Vmpp (V)	32.09	31.91	31.72	31.53	31.34	31.15
Maximum Power Current - Imp (A)	7.98	7.91	7.84	7.77	7.70	7.63

Standard Test Conditions (STC): irradiance 800 W/m²; wind speed 1m/s; cell temperature 45°C; ambient temperature 20°C.
Measuring uncertainty of power: ±3%.

TEMPERATURE CHARACTERISTICS

NOCT	45 °C (±2 °C)	Maximum System Voltage [V]	1500
Temperature Coefficient	-0.29%/K	Series Fuse Rating [A]	20
Current Temperature Coefficient	+0.05%/K		
Power Temperature Coefficient	-0.39%/K		

MAXIMUM RATINGS

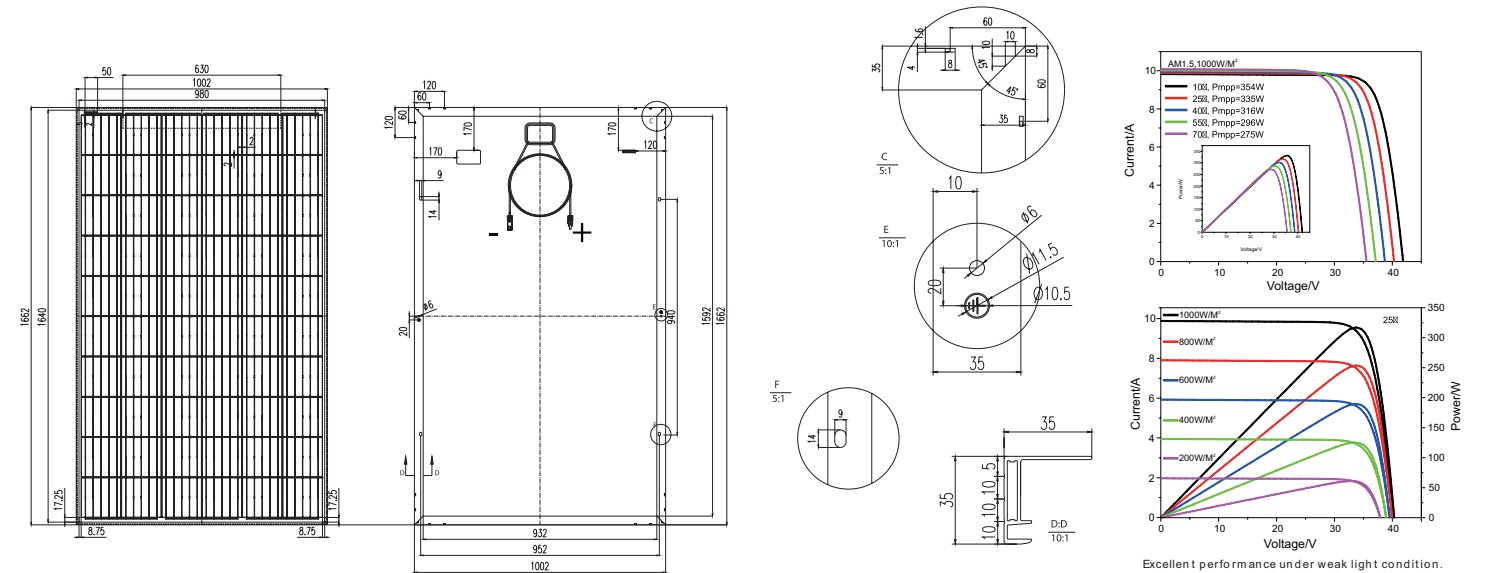
MATERIAL CHARACTERISTICS

Dimensions	1662×1002×35mm (L×W×H)
Weight	40lbs/18.3kg
Frame	Black anodized aluminum profile
Front Glass	White touchened safety glass, 3.2mm
Cell Encapsulation	EVA (Ethylene-Vinyl-Acetate)
Back Sheet	Composite film
Cells	6×10 pieces monocrystalline solar cells series strings (158.75mm x 158.75mm)
Junction Box	Rated current T ≥ 13A, IP ≥ 67, TUV & UL
Cable & Connector	Length 1200mm, 1x4mm ² , compatible with MC4

PACKAGING

Dimensions (LxWxH)	1700x1110x1132mm	Temperature Range	-40 °C to + 85 °C
Container20'	360	Withstanding Hail	Maximum diameter of 25 mm with impact speed of 23 m·s ⁻¹
Container40'	840	Maximum Surface Load	5,400 Pa
Container40'HC	910	Module Fire Performance	Type 1

SYSTEM DESIGN



Excellent performance under weak light condition.