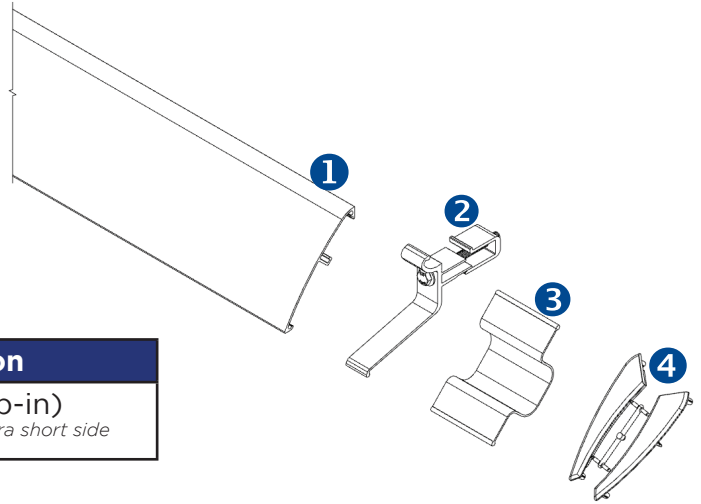


Array Skirt Installation Manual

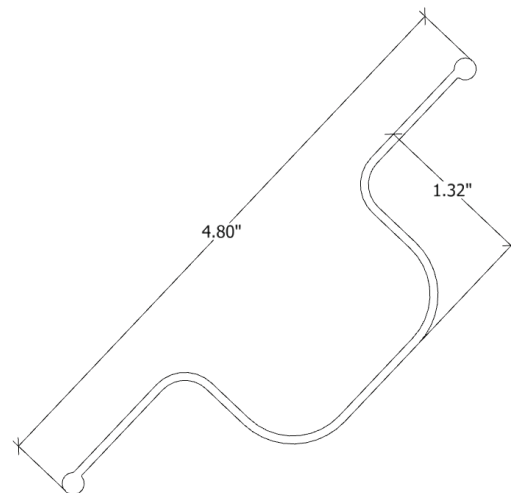
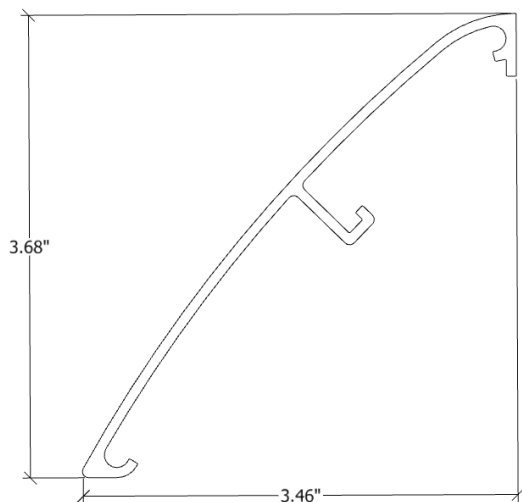
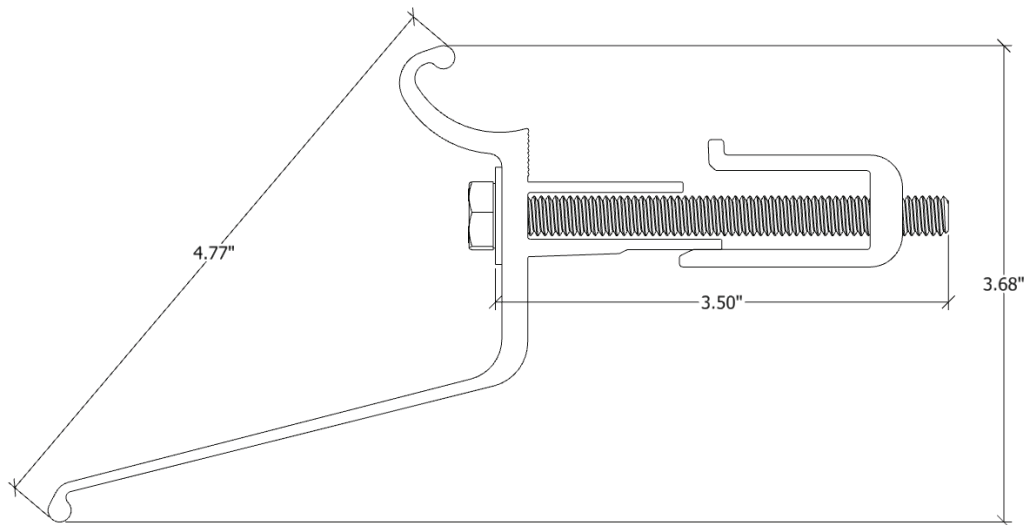
Materials Included

- ① SnapNrack Array Skirt
- ② SnapNrack Array Skirt Frame Mount
- ③ SnapNrack Array Skirt Splice
- ④ SnapNrack Array Skirt End Cap Pair



Hardware Description	Torque Specification
Array Skirt Frame Mount	5 - 6 lb-ft (60 - 72 lb-in) <i>3 - 4 lb-ft (36 - 48 lb-in) Kyocera short side</i>

Technical Specifications	
Dimensions	162" Skirt Length
Material	Skirt and Splice: 6000 Series Aluminum Frame Mount: 6000 Series Aluminum, Stainless Steel Hardware End Cap: Rubber
Compatibility	All Module Frames





Required Tools

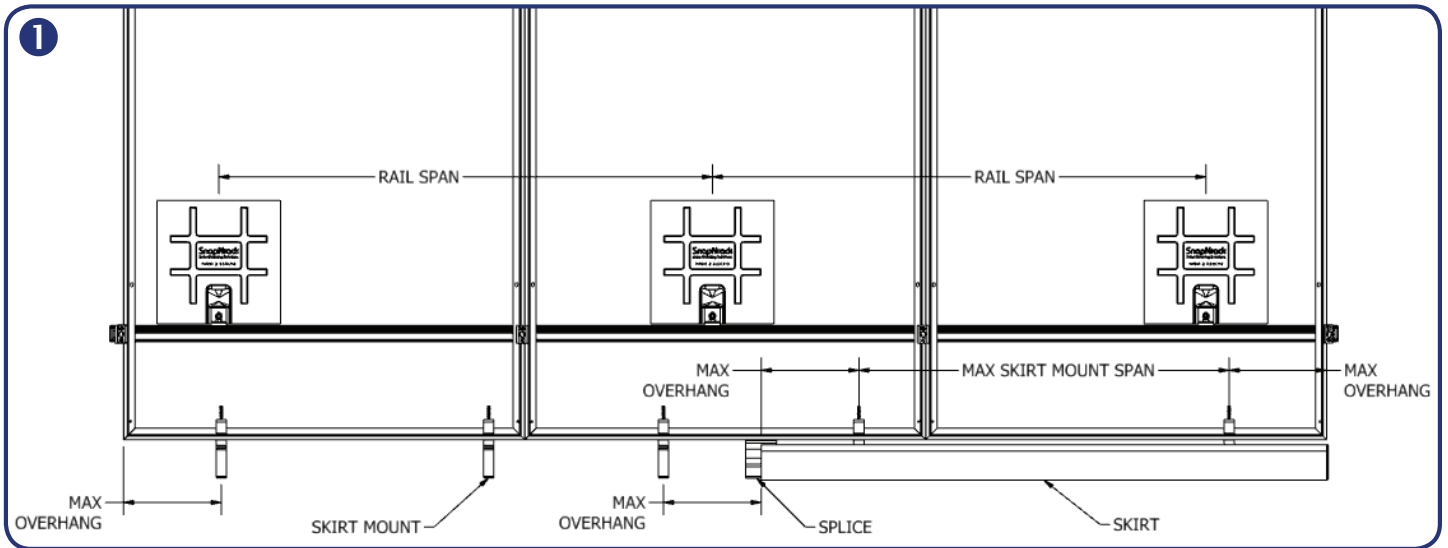
- Socket Wrench
- Torque Wrench
- 1/2" Socket
- Circular Saw or Portable Band Saw
- Tape Measure

Installation Instructions

1. Locate skirt mounts using the following span and cantilever rules:

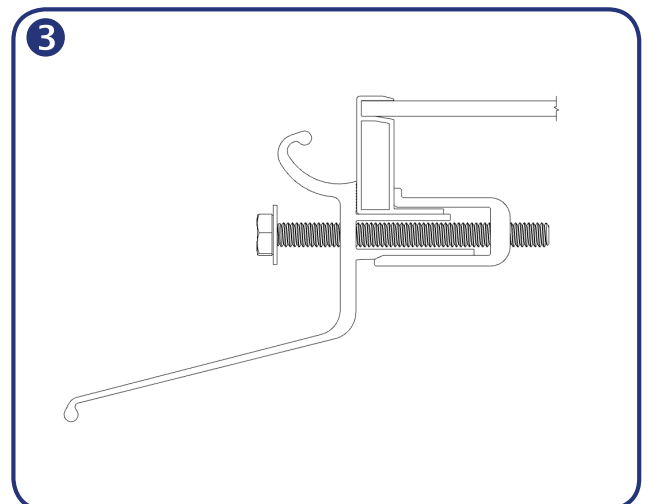
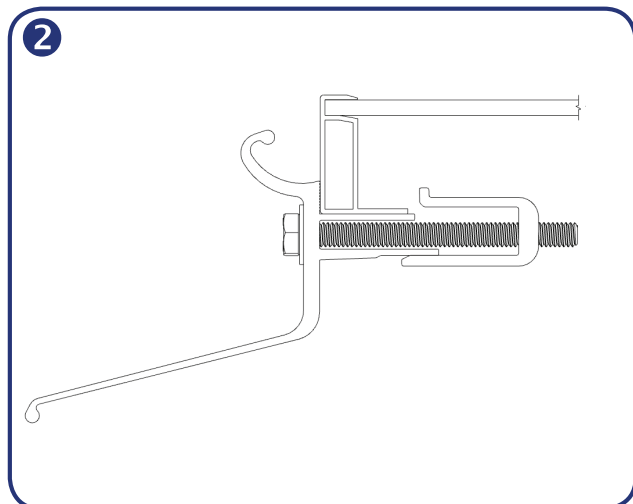
Rail Span (ft)	Max Skirt Mount Span (ft)*	Max Overhang (in)
8	6	12
6	4	9
4	3	6
2	2	3

*Skirt mount span only applies to continuous skirt lengths



2. With bolt backed out, rest flat top side of skirt mount onto bottom edge of module frame.

3. Sandwich module frame with two halves of skirt mount, ensuring that shorter end of extrusion is facing up.

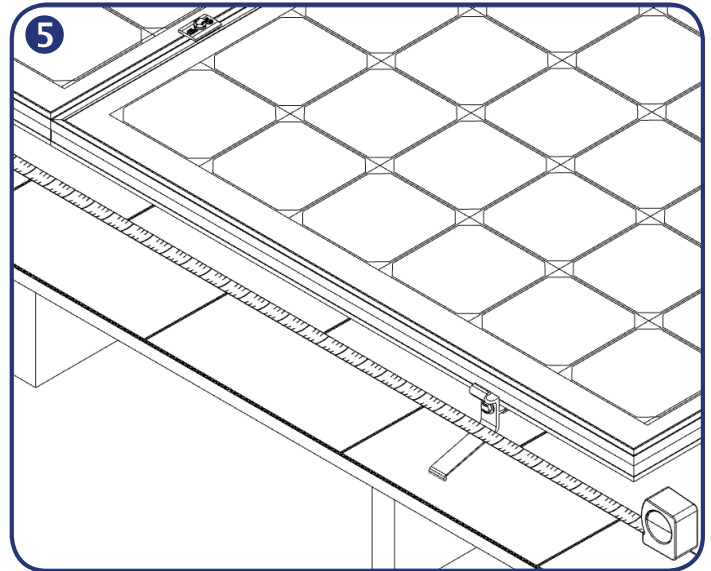
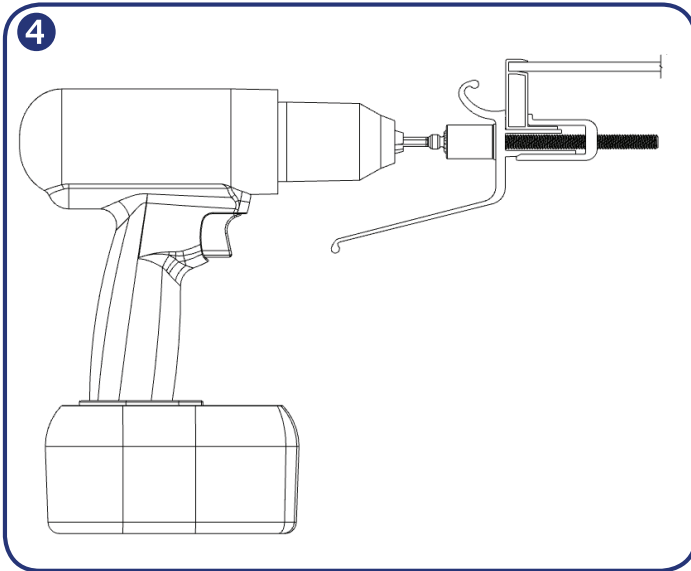


Installation Instructions

- Finalize placement of skirt mount and torque hardware to 5 - 6 lb - ft.

INSTALL NOTE: Torque to 3 - 4 lb - ft when installing on short side of Kyocera modules.

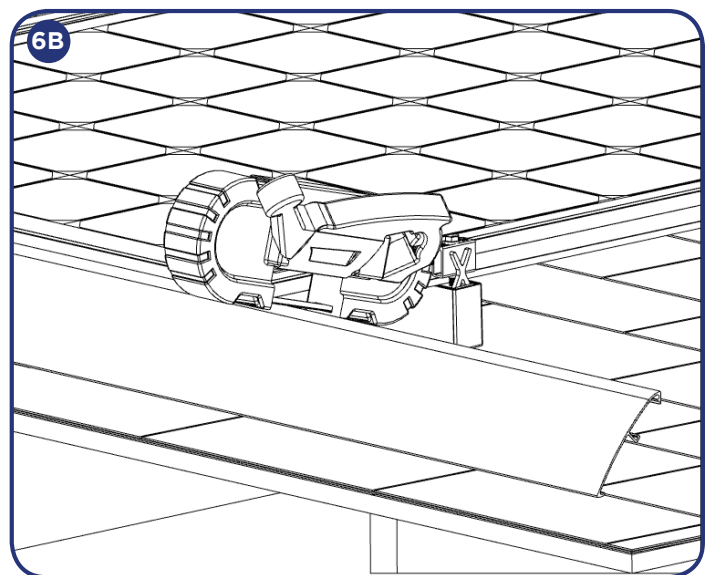
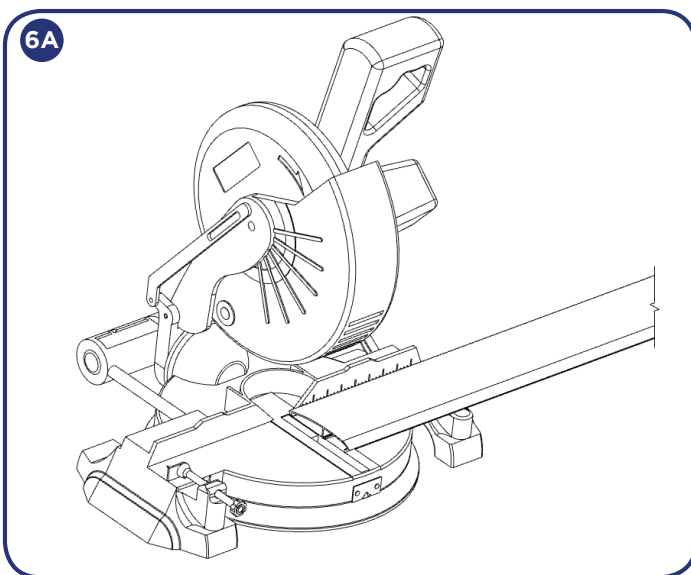
- Determine length(s) of array skirt needed for array(s).



- If array skirt needs to be cut, it can be done prior to installation at ground level or on the roof after installation.

6A. If cutting skirts prior to installation, a circular saw with an appropriate metal-cutting blade is recommended.

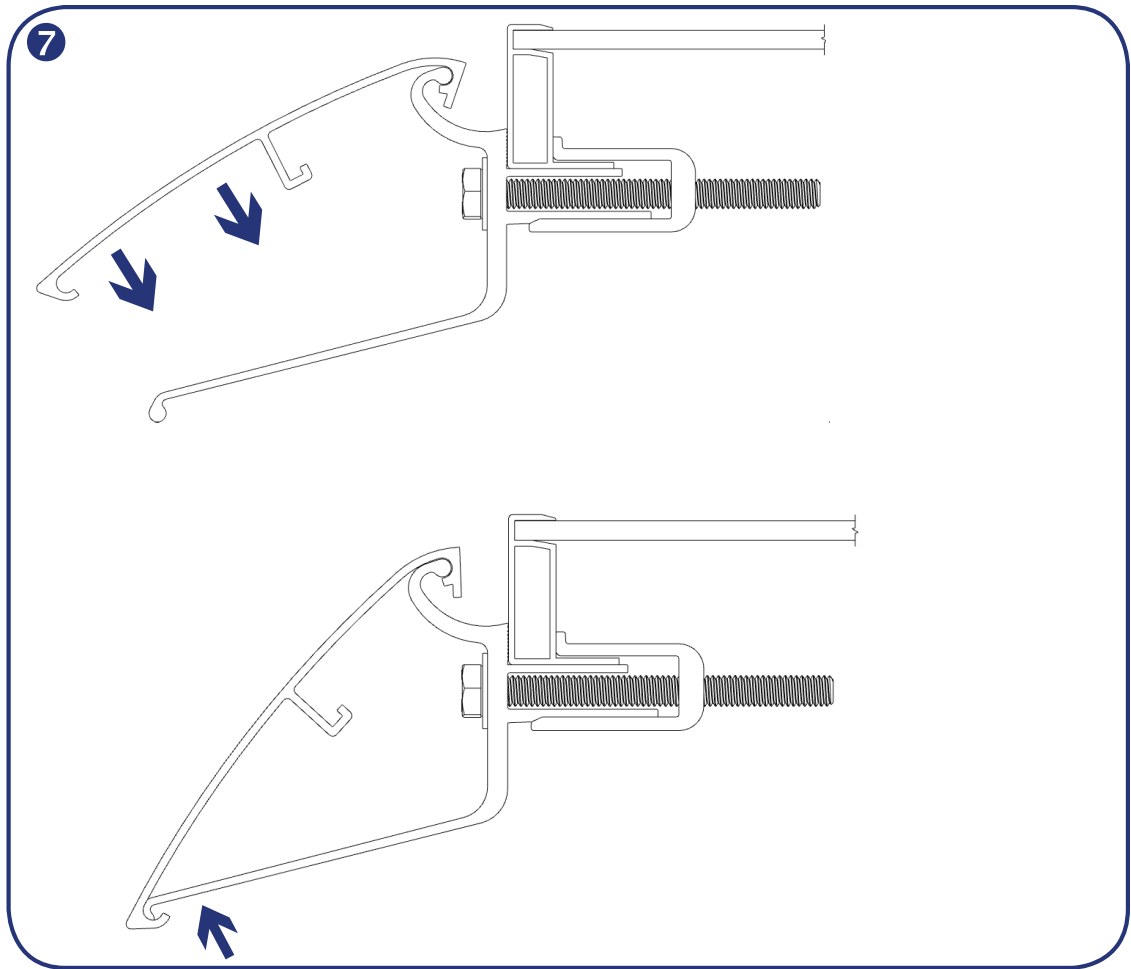
6B. If cutting skirts after installation, a portable band saw is recommended.





Installation Instructions

7. Rest array skirt on top hook of skirt mounts, then push lower hook up and lock into bottom of array skirt.



8. If a splice is required, install by pushing it equally into lengths of array skirt and butting ends together.

INSTALL NOTE: Splices are designed to maintain alignment between skirt sections and are not a structural component. All spliced sections must follow max overhang limits noted in Step 1.

9. Push end caps onto skirt edges to complete installation.

