

DESCRIPTION:
SNAPNRACK, ULTRA RAIL FLUSH-MOUNT KIT

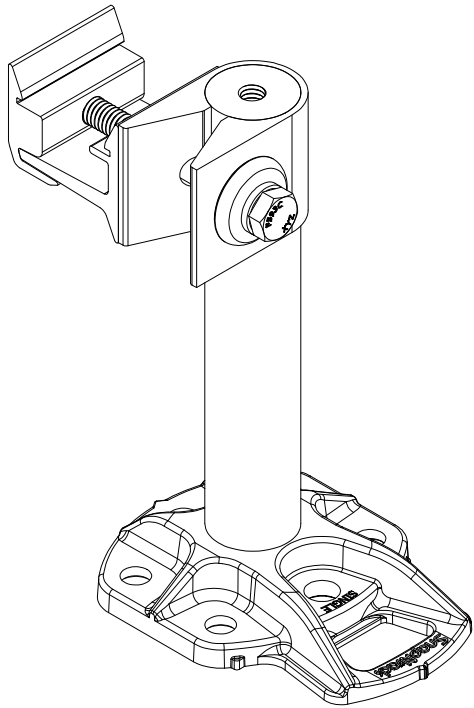
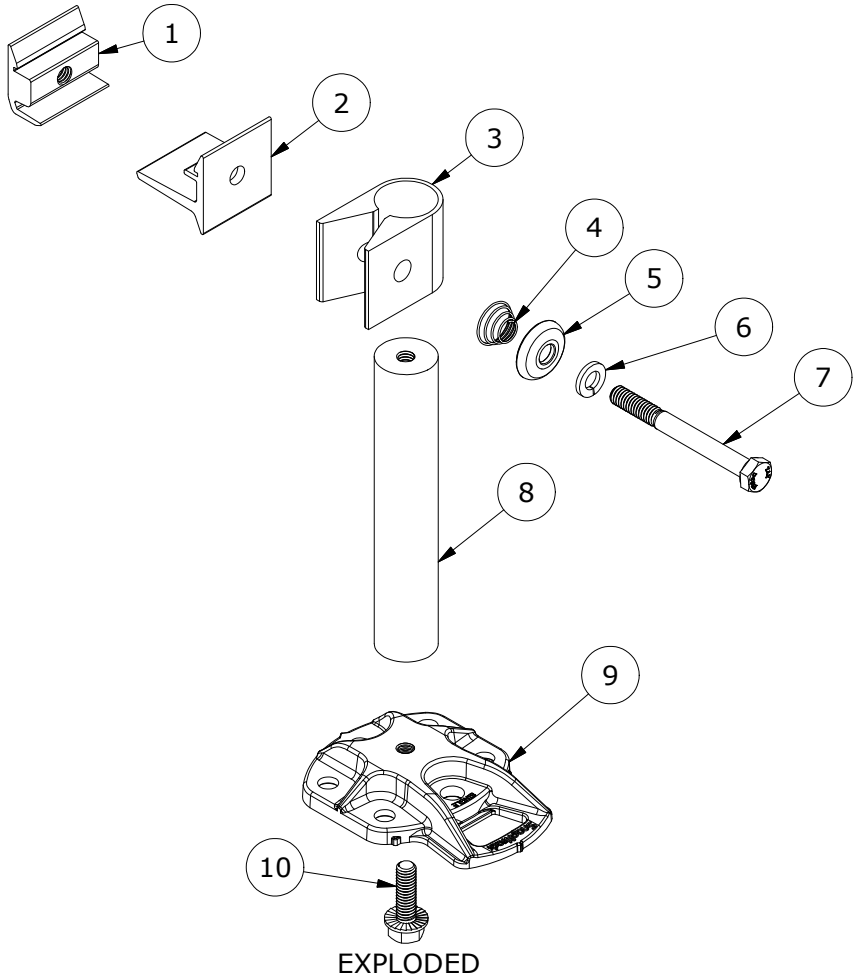
PART NUMBER(S):
242-10016, 242-10017, 242-10018

DRAWN BY:
M.Affentranger

REVISION:
B



THE INFORMATION IN THIS DRAWING IS CONFIDENTIAL AND PROPRIETARY. ANY REPRODUCTION, DISCLOSURE, OR USE THEREOF IS PROHIBITED WITHOUT THE WRITTEN CONSENT OF SUNRUN SOUTH LLC.



ISO

EXPLODED

PARTS LIST		
ITEM	QTY	DESCRIPTION
2	1	SNAPNRACK, ULTRA RAIL MOUNT THRU PRC, CLEAR
7	1	5-16IN-18 X 3IN SS HCS BOLT
1	1	SNAPNRACK, ULTRA RAIL MOUNT TAPPED PRC, CLEAR
4	1	SNAPNRACK, ULTRA RAIL MOUNT SPRING
5	1	SNAPNRACK, ULTRA RAIL MOUNT SPRING CAGE
3	1	SNAPNRACK STANDOFF CLAMP CLEAR
6	1	5-16IN SS SPLIT LOCK WASHER
8	1	SNAPNRACK STANDOFF SHAFT, LENGTH VARIES
9	1	SNAPNRACK, OMNIBASE, CASTING
10	1	BOLT, FLANGE, SERRATED, 5/16IN-18 X 1IN, SS

MATERIALS:	6000 SERIES ALUMINUM, A380 ALUMINUM, 300 SERIES STAINLESS STEEL
DESIGN LOAD (LBS):	655 UP, 1333 DOWN, 304 SIDE, 266 LATERAL
ULTIMATE LOAD (LBS):	1473 UP, 4000 DOWN, 762 SIDE, 665 LATERAL
TORQUE SPECIFICATION:	12 LB-FT
CERTIFICATION:	UL 2703, FILE E359313
WEIGHT (LBS):	REFER TO TABLE ON NEXT PAGE

DESCRIPTION:

SNAPNRACK, ULTRA RAIL FLUSH-MOUNT KIT

DRAWN BY:

M.Affentranger

SnapNrack®

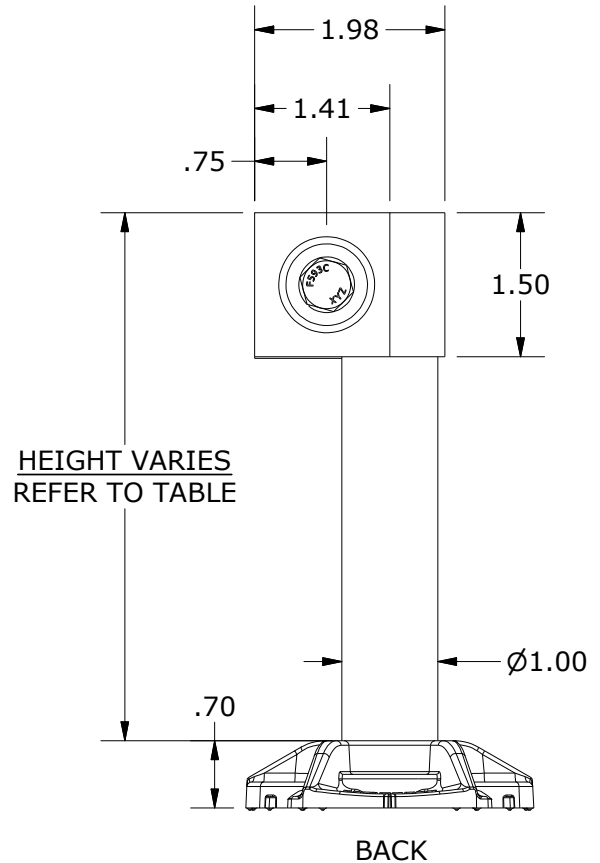
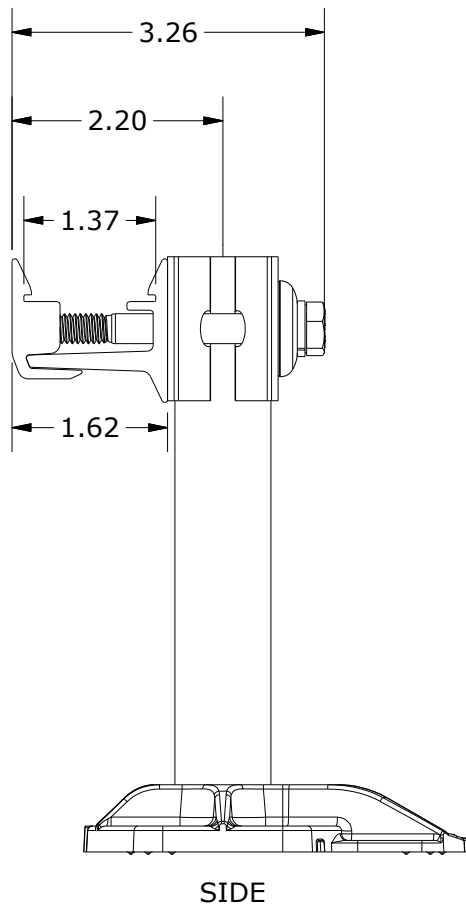
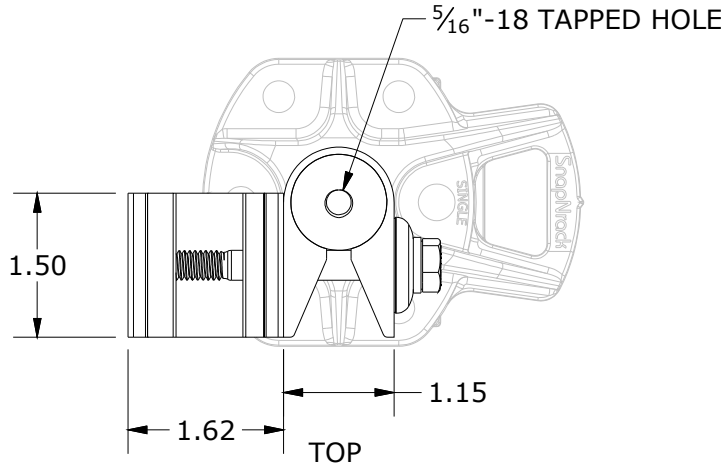
PART NUMBER(S):

242-10016, 242-10017, 242-10018

REVISION:

B

THE INFORMATION IN THIS DRAWING IS CONFIDENTIAL AND PROPRIETARY. ANY REPRODUCTION, DISCLOSURE, OR USE THEREOF IS PROHIBITED WITHOUT THE WRITTEN CONSENT OF SUNRUN SOUTH LLC.



HEIGHT VARIES
REFER TO TABLE

TABLE OF PROPERTIES

ITEM	STANDOFF LENGTH	WEIGHT (LBS)
242-10016	5-1/2"	1.01
242-10017	7"	1.11
242-10018	8-1/2"	1.22

ALL DIMENSIONS IN INCHES

DESCRIPTION:
SNAPNRACK, ULTRA RAIL FLUSH-MOUNT KIT

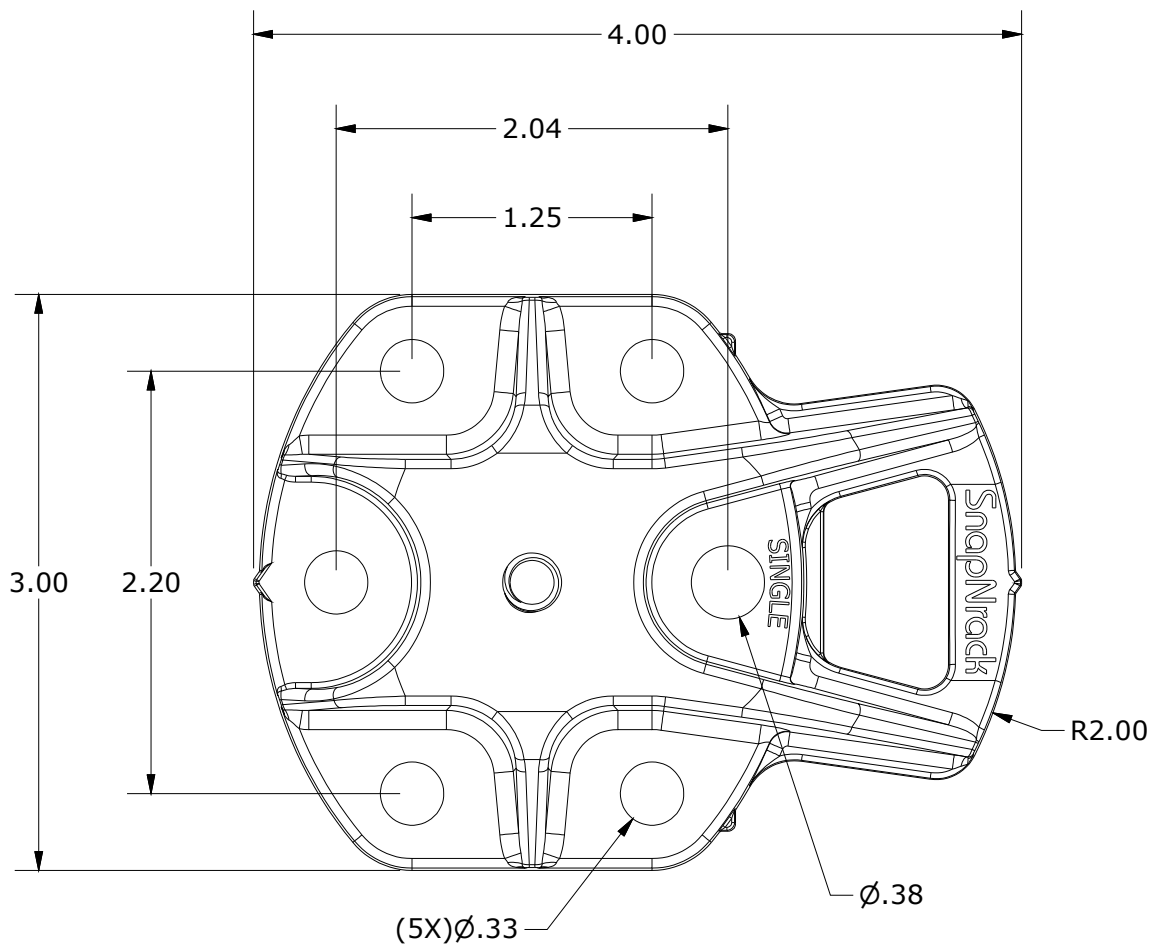
DRAWN BY:
M.Affentranger

SnapNrack®

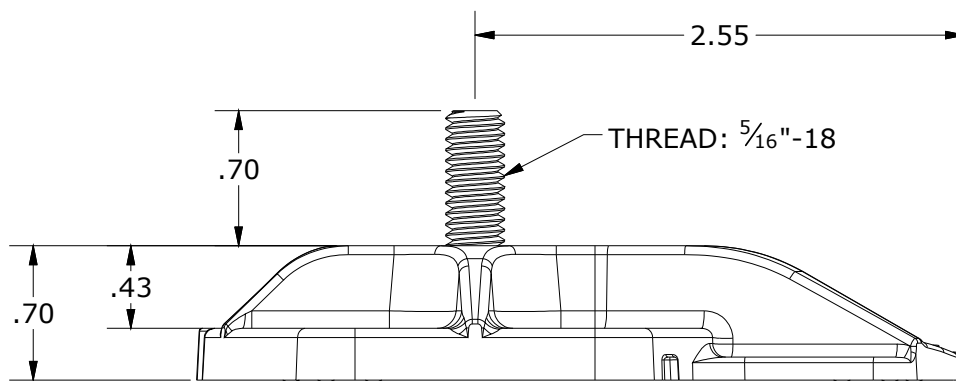
PART NUMBER(S):
242-10016, 242-10017, 242-10018

REVISION:
B

THE INFORMATION IN THIS DRAWING IS CONFIDENTIAL AND PROPRIETARY. ANY REPRODUCTION, DISCLOSURE, OR USE THEREOF IS PROHIBITED WITHOUT THE WRITTEN CONSENT OF SUNRUN SOUTH LLC.



TOP



SIDE

ALL DIMENSIONS IN INCHES