

DESCRIPTION:
**SNAPRACK, TDS, MIGHTYMOUNT METAL-T
 SEALING TRACK, LONG**

PART NUMBER(S):
242-10014

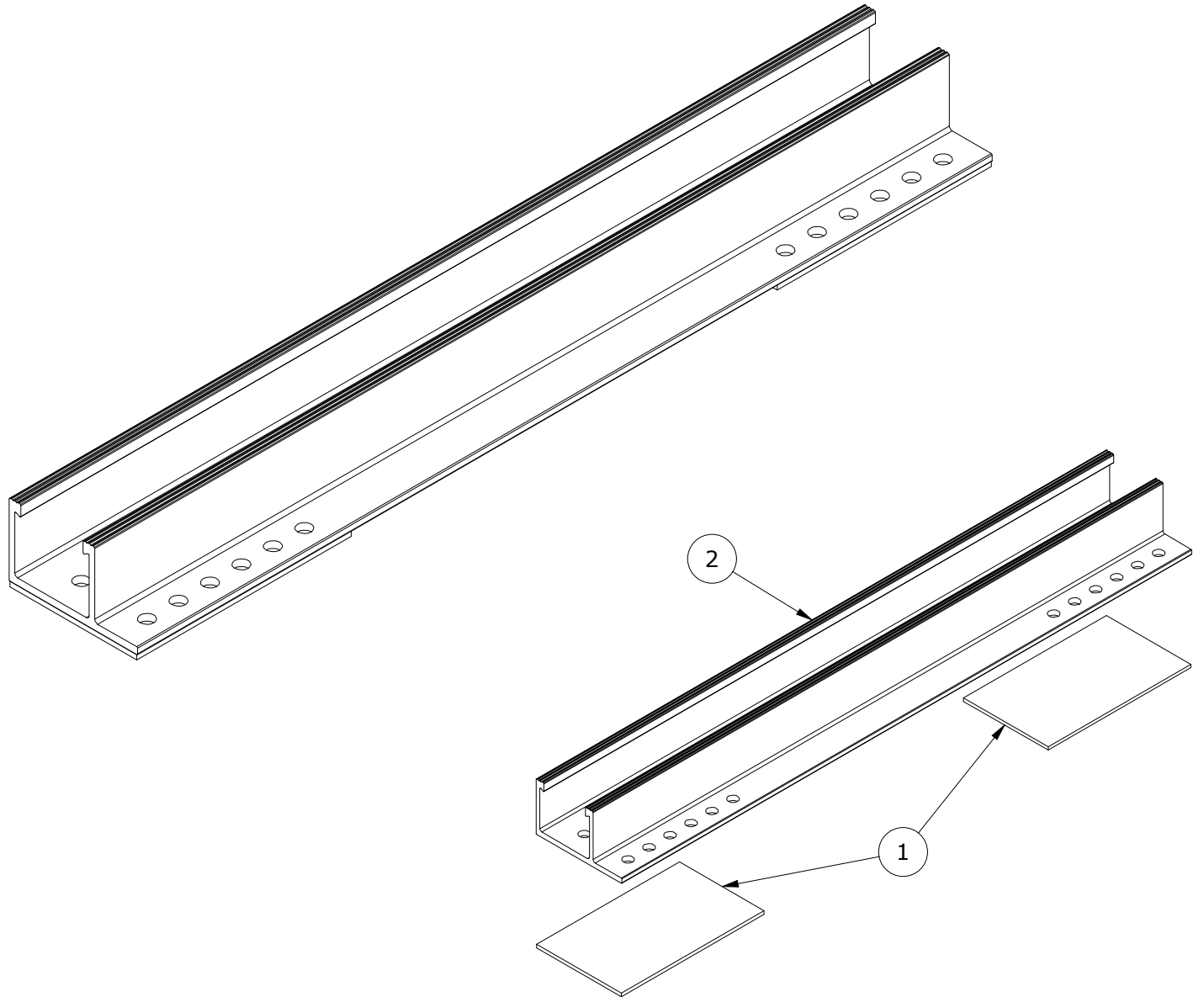
DRAWN BY:
 mwatkins

REVISION:
B

SnapNrack®

595 MARKET STREET, 29TH FLOOR • SAN FRANCISCO, CA 94105 USA
 PHONE (415) 580-6900 • FAX (415) 580-6902

THE INFORMATION IN THIS DRAWING IS CONFIDENTIAL AND PROPRIETARY. ANY REPRODUCTION, DISCLOSURE, OR USE THEREOF IS PROHIBITED WITHOUT THE WRITTEN CONSENT OF SUNRUN SOUTH LLC.



PARTS LIST		
ITEM	QTY	DESCRIPTION
1	2	SNAPNRACK, MIGHTYMOUNT METAL-T TRACK GASKET
2	1	SNAPNRACK, MIGHTYMOUNT METAL-T TRACK, LONG

MATERIALS:	6000 SERIES ALUMINUM, EPDM RUBBER
DESIGN LOAD (LBS):	N/A
ULTIMATE LOAD (LBS):	N/A
TORQUE SPECIFICATION:	N/A LB-FT
CERTIFICATION:	UL 2703, FILE E359313
WEIGHT (LBS):	0.81

DESCRIPTION:
**SNAPRACK, TDS, MIGHTYMOUNT METAL-T
 SEALING TRACK, LONG**

PART NUMBER(S):
242-10014

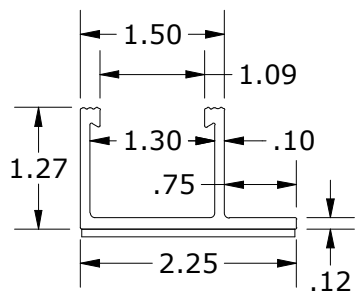
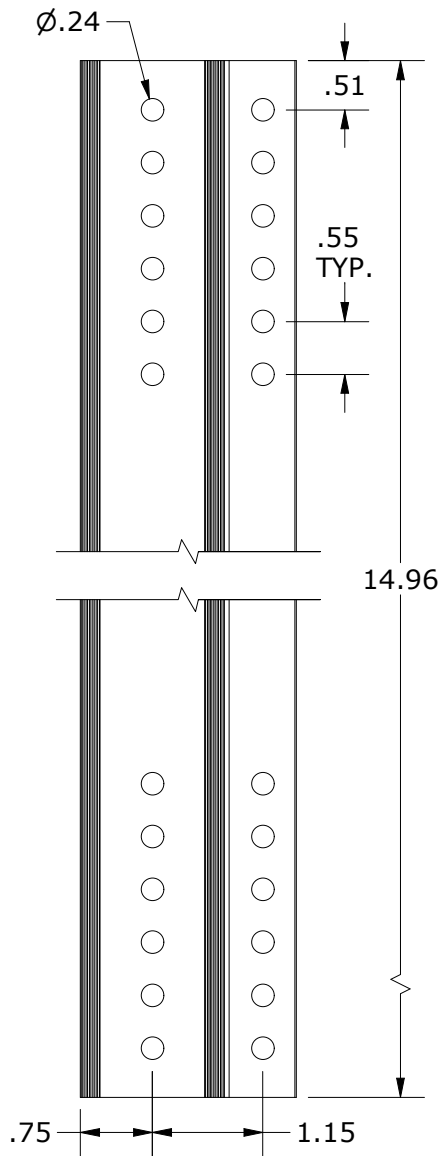
DRAWN BY:
 mwatkins

REVISION:
B

SnapNrack®

595 MARKET STREET, 29TH FLOOR • SAN FRANCISCO, CA 94105 USA
 PHONE (415) 580-6900 • FAX (415) 580-6902

THE INFORMATION IN THIS DRAWING IS CONFIDENTIAL AND PROPRIETARY. ANY REPRODUCTION, DISCLOSURE, OR USE THEREOF IS PROHIBITED WITHOUT THE WRITTEN CONSENT OF SUNRUN SOUTH LLC.



ALL DIMENSIONS IN INCHES