

DESCRIPTION:  
SNAPNRACK, TDS, TOPSPEED, CLAMP

DOC NUMBER:  
SNR-DC-30009

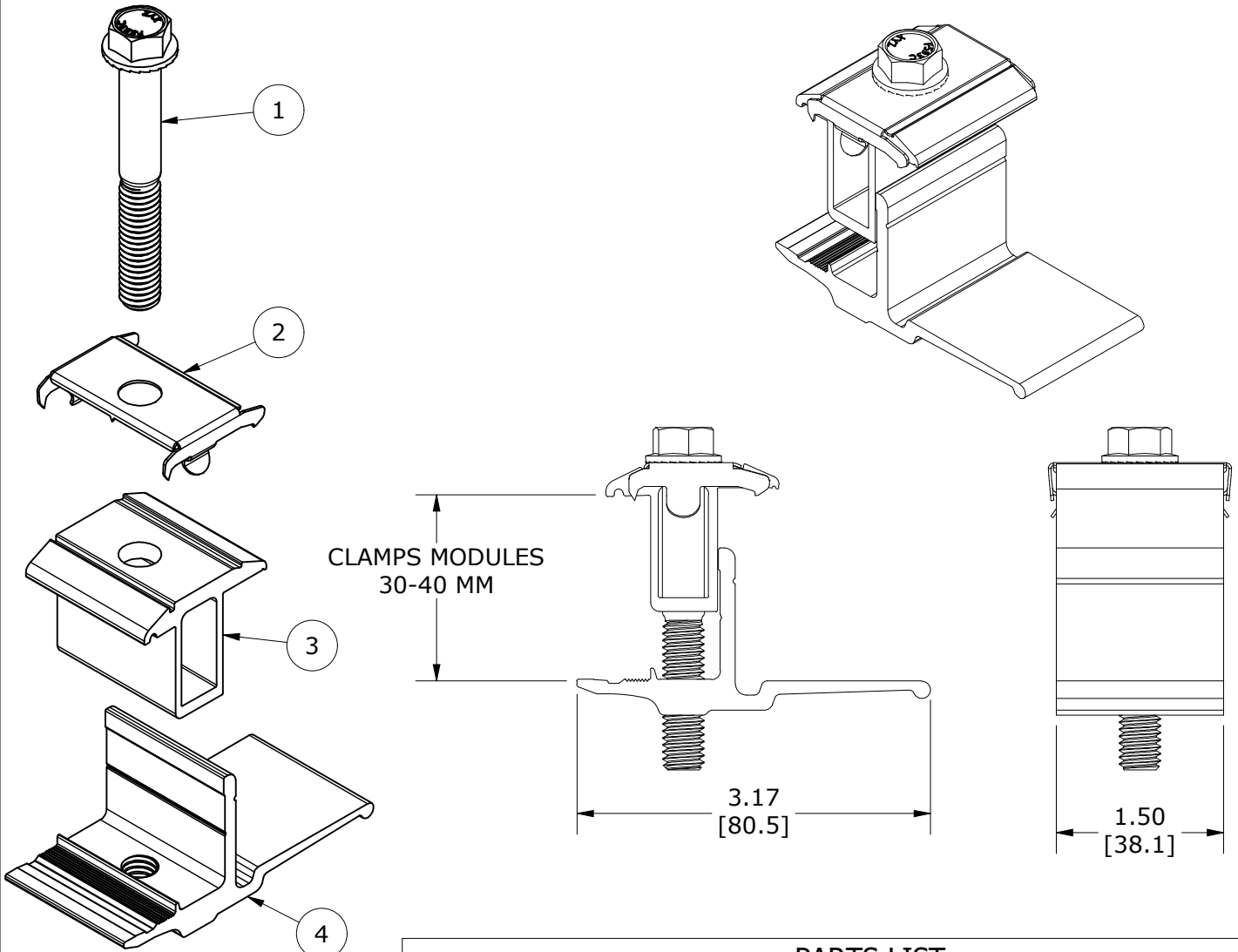
SnapNrack®

PART NUMBER(S):  
242-10011

DRAWN BY:  
H.WULFEKOETTER

REV: **B**      DATE:  
1/24/2023

UNITS: IN, LB, DEG [MM, KG, DEG]      SHEET: 1:1



EXPLODED

PARTS LIST

ITEM	QTY	DESCRIPTION
1	1	BOLT, FLANGE, SERRATED, 3/8IN-16 X 2-3/4IN, 1/2IN TRIM HEAD, 1.2IN THREAD, BLACK, SS
2	1	SNAPNRACK, RL UNIVERSAL, BONDING CLIP
3	1	SNAPNRACK, RL UNIVERSAL, MOUNT TOP, BLACK
4	1	SNAPNRACK, FLOATING CLAMP, ROCK-IN, BOTTOM

MATERIALS: ALUMINIUM, STAINLESS STEEL

DESIGN LOAD (LBS): N/A

ULTIMATE LOAD (LBS): N/A

TORQUE SPECIFICATION: SEE INSTALLATION MANUAL FT-LBS

CERTIFICATION: UL2703

WEIGHT (LBS): 0.28