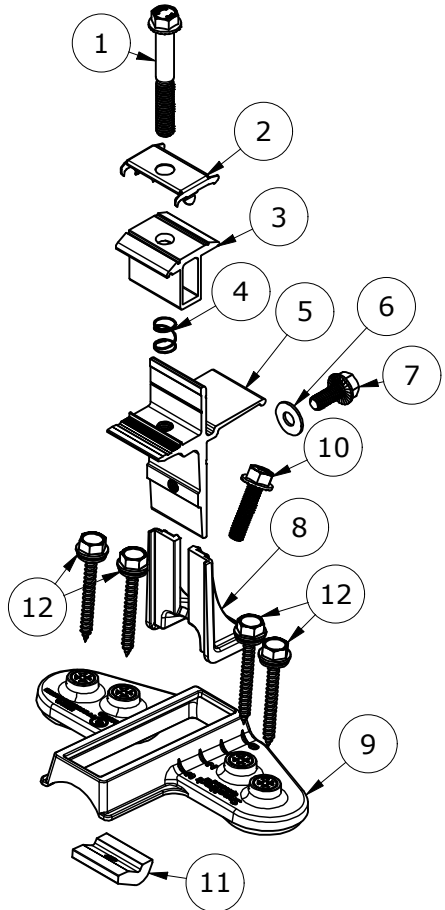


DESCRIPTION:  
**SNR-DC-30008 SNAPRACK, TDS, TOPSPEED,  
MOUNT**

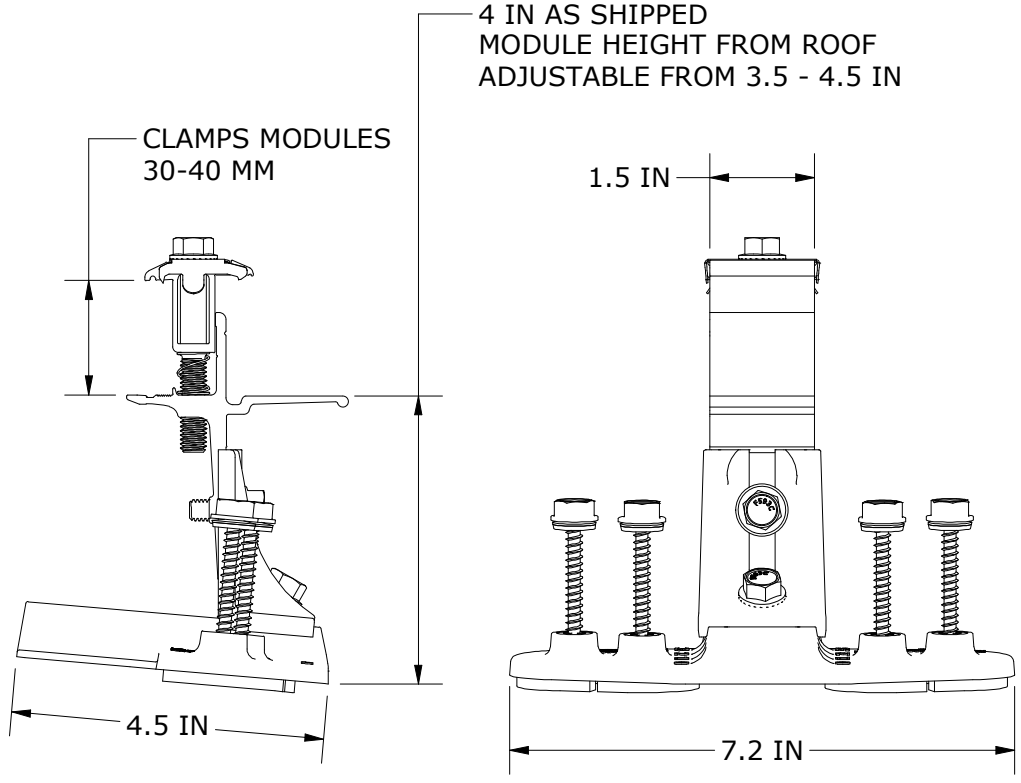
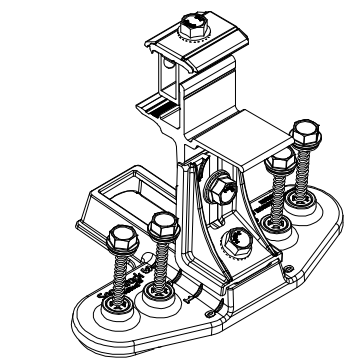
PART NUMBER(S):  
**242-10005**

DRAWN BY:  
**B.PETERSON**

REVISION:  
**A**



**EXPLODED**



PARTS LIST		
ITEM	QTY	DESCRIPTION
1	1	BOLT, FLANGE, SERRATED, 3/8IN-16 X 2-3/4IN, 1/2IN TRIM HEAD, 1.2IN THREAD, BLACK, SS
2	1	SNAPRACK, RL UNIVERSAL, BONDING CLIP
3	1	SNAPRACK, RL UNIVERSAL, MOUNT TOP, BLACK
4	1	SNAPRACK, RL UNIVERSAL, MOUNT SPRING, SS
5	1	SNAPRACK, MODULE CLAMP, TOWER, ROCK-IN
6	1	5-16IN X 3-4IN SS FLAT WASHER
7	1	BOLT, FLANGE, 5-16IN-18 X 3-4IN, CLEAR, SS
8	1	SNAPRACK, ANGLE BRKT, 90 DEG, 1IN SLOT, 25 DEG FASTENER
9	1	SNAPRACK, BASE, COMP ROOF, DECK MOUNT, SPEEDSEAL
10	1	BOLT, FLANGED HEX, 5-16IN-18 X 1-1-4IN, SS
11	1	SNAPRACK, CHANNEL NUT, 5-16IN-18, 25 DEG FASTENER
12	4	SNAPRACK, SEALING WASHER WOOD SCREW, #14 X 2-1-4IN, 1-2IN HEX HEAD, SS

MATERIALS:	ALUMINIUM, STAINLESS STEEL
DESIGN LOAD (LBS):	210 LBF UP, 320 LBF DOWN, 162 LBF SIDE
ULTIMATE LOAD (LBS):	630 LBF UP, 960 LBF DOWN, 486 LBF SIDE
TORQUE SPECIFICATION:	SEE INSTALLATION MANUAL
CERTIFICATION:	UL2703
WEIGHT (LBS):	1.1