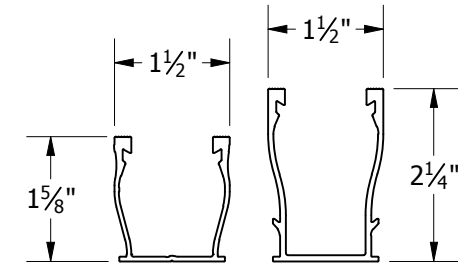
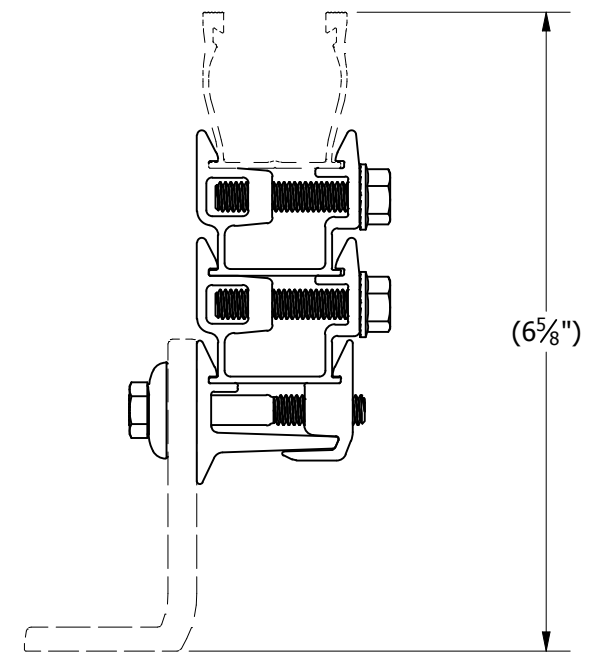
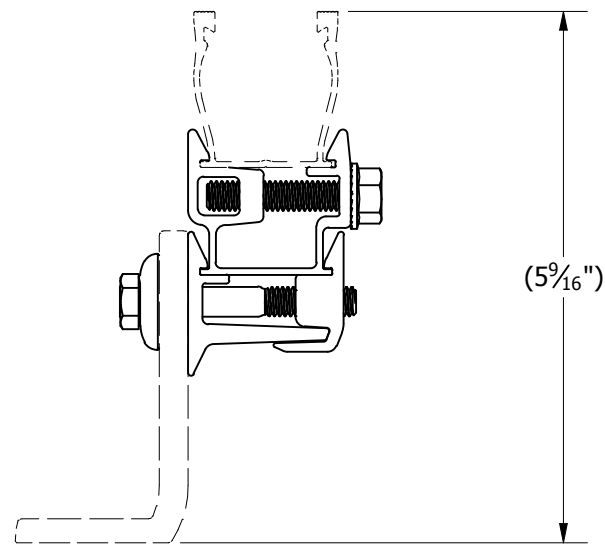
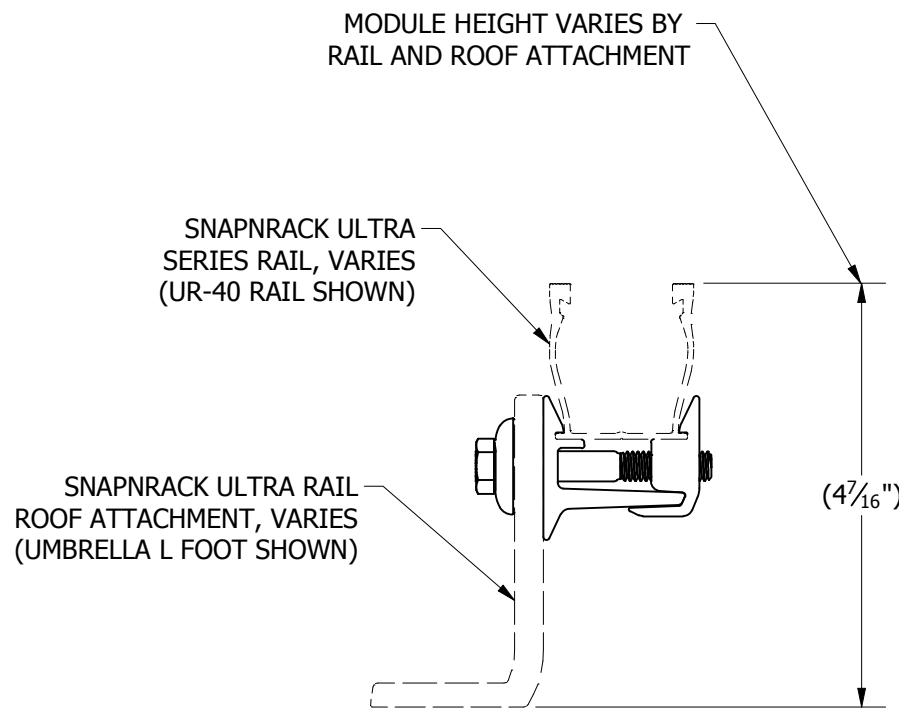
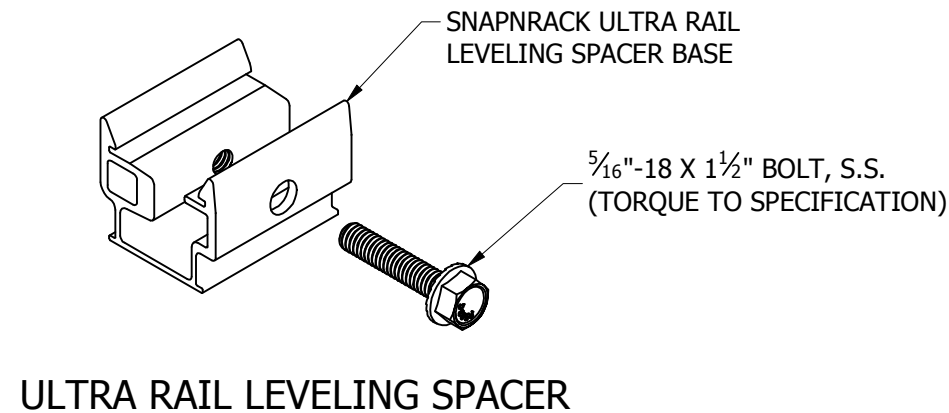
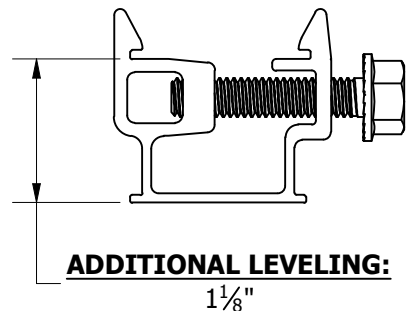


SNAPNRACK'S ULTRA RAIL LEVELING SPACER PROVIDES ADDITIONAL LEVELING FOR ALL ULTRA RAIL FLUSH MOUNT ROOF ATTACHMENTS

TORQUE ALL FASTENERS TO THE SPECIFIED VALUES PRIOR TO INSTALLING PV MODULES. REFER TO SNAPNRACK INSTALLATION MANUAL FOR 5/16"Ø HARDWARE TORQUE SPECIFICATIONS

BIN: N/A

REVISION:		
1	7/8/2020	NEW DETAIL MJA



UR-40 RAIL | UR-60 RAIL
FOR USE WITH SNAPNRACK ULTRA SERIES RAILS



Sunrun South LLC

THE INFORMATION IN THIS DRAWING IS CONFIDENTIAL AND PROPRIETARY. ANY REPRODUCTION, DISCLOSURE, OR USE THEREOF IS PROHIBITED WITHOUT THE WRITTEN CONSENT OF SUNRUN SOUTH LLC.

DESIGNER: M.AFFENTRANGER
DRAFTER: M.AFFENTRANGER
APPROVED BY: W.ARBUCKLE

SCALE: DNS
DATE: 7/8/2020

DRAWING NUMBER: SNR-DC-00447

DESCRIPTION: ULTRA RAIL, COMPONENT DETAIL, ULTRA RAIL LEVELING SPACER

REV: 1