

DESCRIPTION:  
**SNAPRACK, ULTRA RAIL WIDE BASE SEAM CLAMP WITH L FOOT AND LOCK**

DRAWN BY:

mwatkins

REVISION:

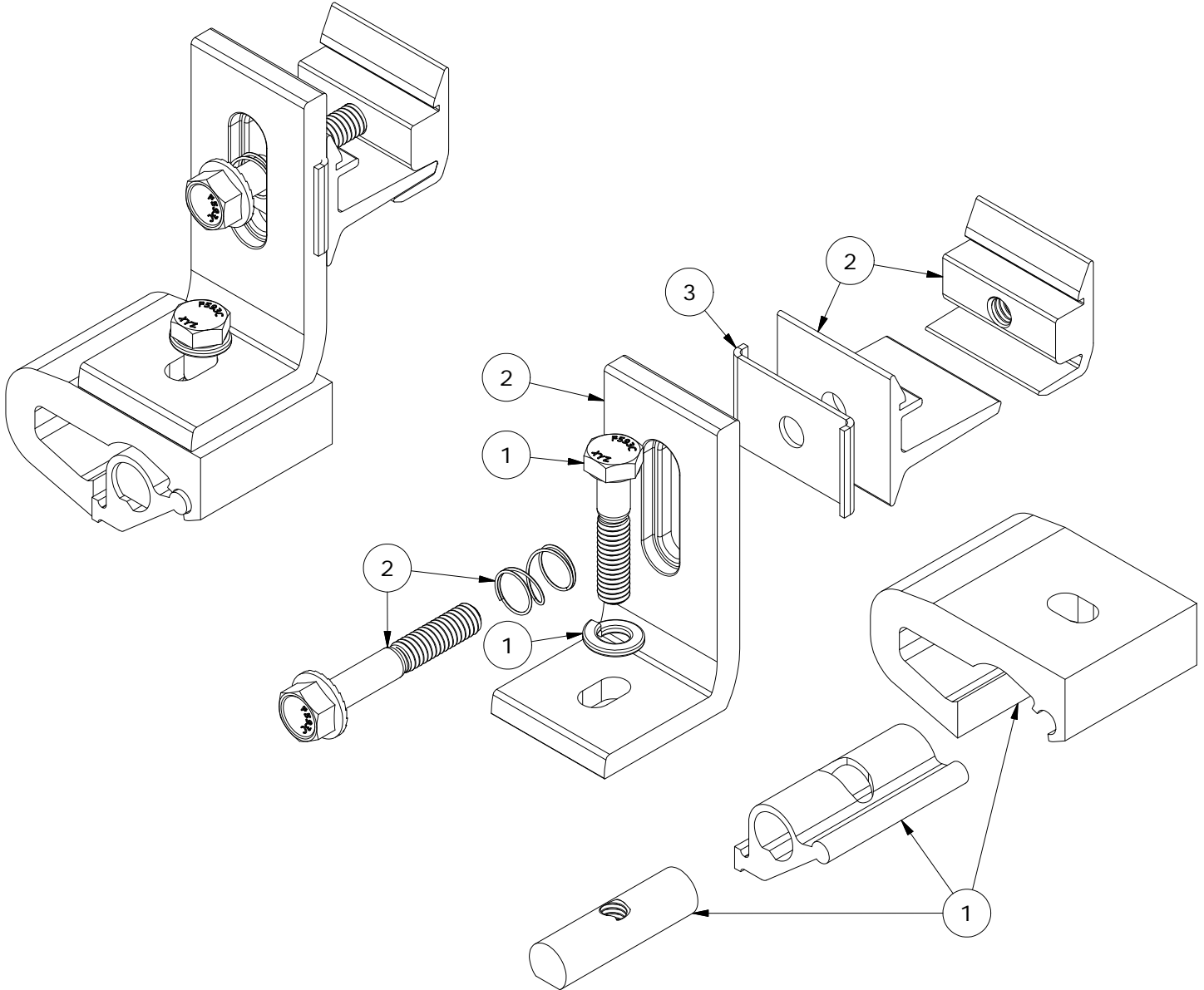
**B**

**SnapNrack™**  
**Solar Mounting Solutions**

PART NUMBER(S):

242-05159

THE INFORMATION IN THIS DRAWING IS CONFIDENTIAL AND PROPRIETARY. ANY REPRODUCTION, DISCLOSURE, OR USE THEREOF IS PROHIBITED WITHOUT THE WRITTEN CONSENT OF SUNRUN SOUTH LLC.



**PARTS LIST**

ITEM	QTY	DESCRIPTION
1	1	SNAPRACK, WIDE BASE SEAM CLAMP
2	1	SNAPRACK, ULTRA RAIL ALL PURPOSE L FOOT (90 DEG), SILVER
3	1	SNAPRACK, SEAM CLAMP ROTATION LOCK

MATERIALS:	6000 SERIES ALUMINUM, STAINLESS STEEL	OPTIONS:
DESIGN LOAD (LBS):	598 UP, 461 DOWN, 275 SIDE	
ULTIMATE LOAD (LBS):	1463 UP, 652 DOWN, 602 SIDE	
TORQUE SPECIFICATION:	15-16 LB-FT	
CERTIFICATION:	UL 2703, FILE E359313	
WEIGHT (LBS):	0.80	

DESCRIPTION:  
SNAPRACK, ULTRA RAIL WIDE BASE SEAM CLAMP  
WITH L FOOT AND LOCK

DRAWN BY:

mwatkins

REVISION:

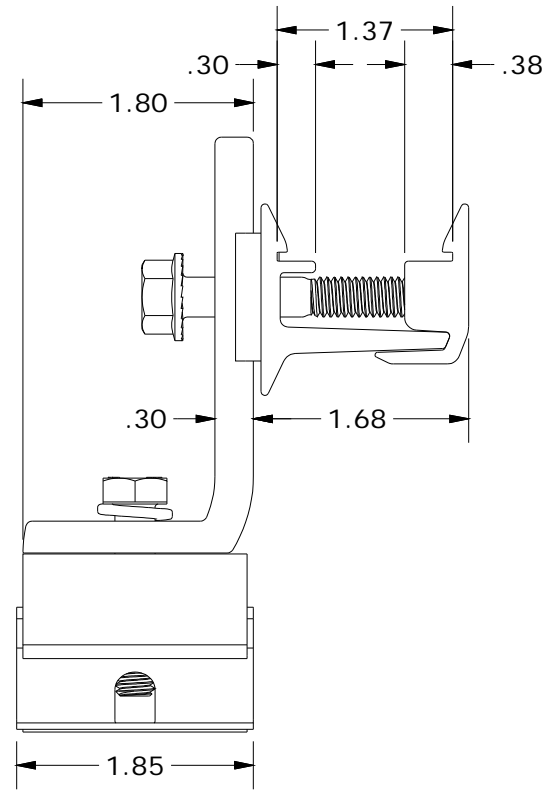
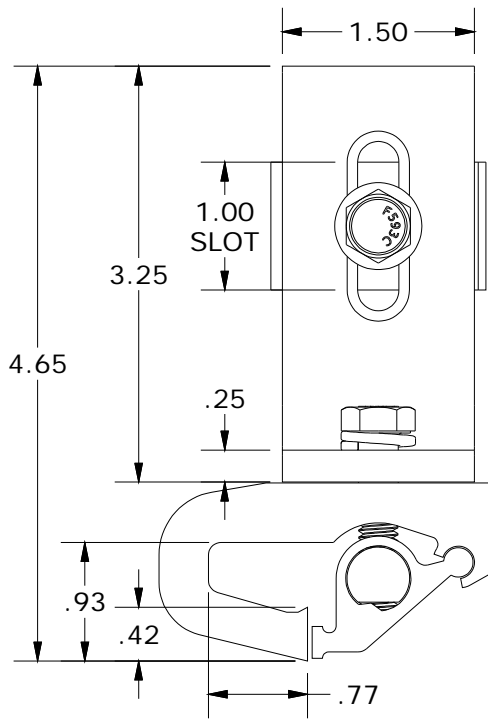
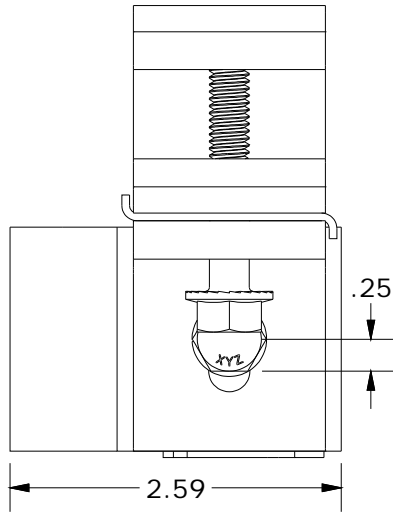
B

SnapNrack™  
Solar Mounting Solutions

PART NUMBER(S):

242-05159

THE INFORMATION IN THIS DRAWING IS CONFIDENTIAL AND PROPRIETARY. ANY REPRODUCTION, DISCLOSURE, OR USE THEREOF IS PROHIBITED WITHOUT THE WRITTEN CONSENT OF SUNRUN SOUTH LLC.



ALL DIMENSIONS IN INCHES