

DESCRIPTION:
**SNAPNRACK, ULTRA RAIL SIMPLE TILT FRONT LEG
 10 DEG**

DRAWN BY:

mwatkins

SnapNrack™
Solar Mounting Solutions

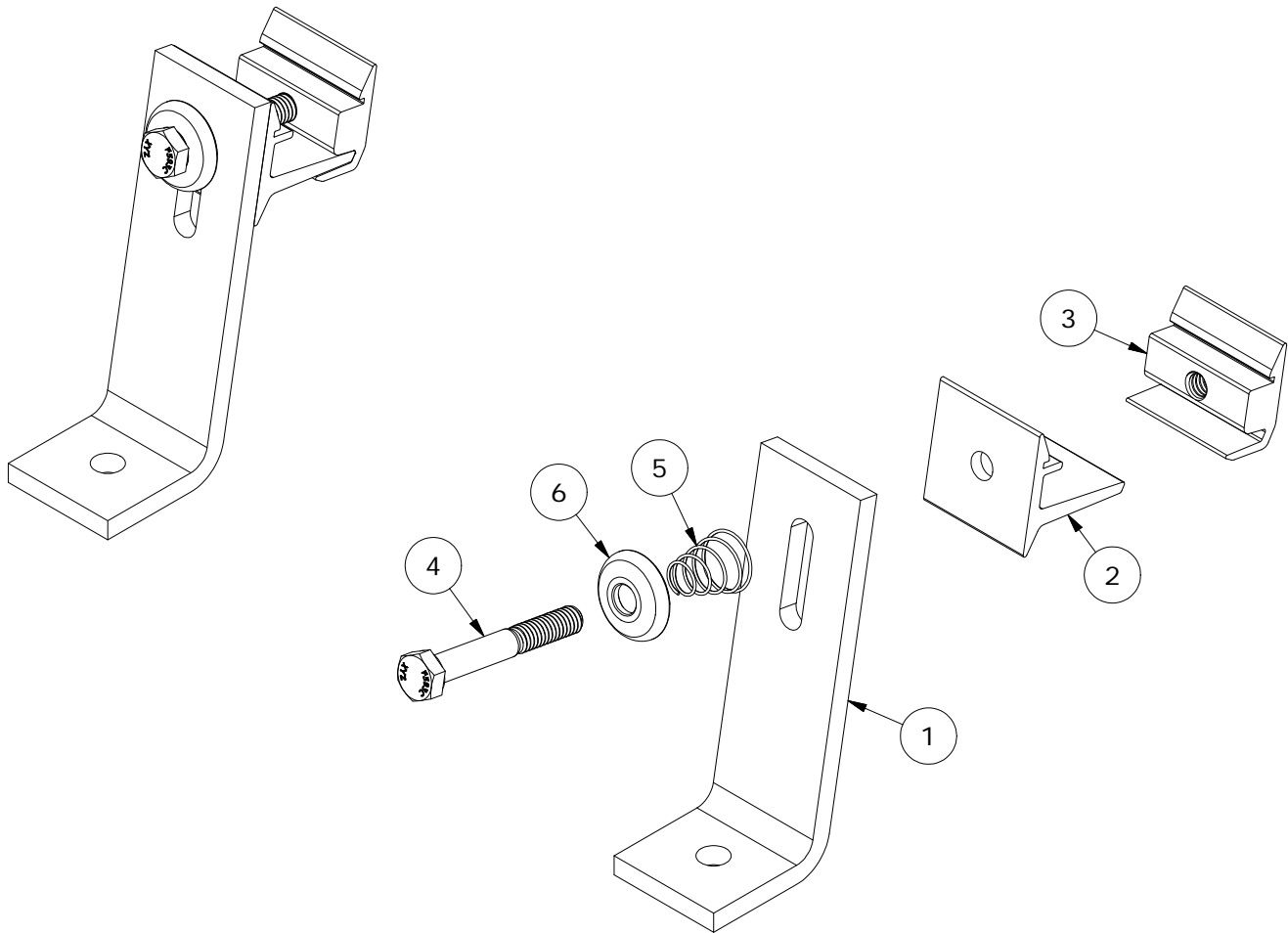
PART NUMBER(S):

242-03217

REVISION:

A

THE INFORMATION IN THIS DRAWING IS CONFIDENTIAL AND PROPRIETARY. ANY REPRODUCTION, DISCLOSURE, OR USE THEREOF IS PROHIBITED WITHOUT THE WRITTEN CONSENT OF SUNRUN SOUTH LLC.



PARTS LIST

ITEM	QTY	DESCRIPTION
1	1	SNAPNRACK, SHORT TILT LEG PLUS PRC, 10 DEG
2	1	SNAPNRACK, ULTRA RAIL MOUNT THRU PRC, CLEAR
3	1	SNAPNRACK, ULTRA RAIL MOUNT TAPPED PRC, CLEAR
4	1	5/16IN-18 X 2-1/4IN SS HCS BOLT
5	1	SNAPNRACK, ULTRA RAIL MOUNT SPRING, SS
6	1	SNAPNRACK, ULTRA RAIL MOUNT SPRING CAGE, 6061-T6 AL

NOTE:
 ALSO KNOWN AS TILT LEG PLUS

MATERIALS:	6000 SERIES ALUMINUM, STAINLESS STEEL	OPTIONS:
DESIGN LOAD (LBS):	789 UP, 833 DOWN, 654 SIDE	
ULTIMATE LOAD (LBS):	N/A	
TORQUE SPECIFICATION:	12 LB-FT	
CERTIFICATION:	UL 2703, FILE E359313	
WEIGHT (LBS):	0.40	

DESCRIPTION:
SNAPNRACK, ULTRA RAIL SIMPLE TILT FRONT LEG
10 DEG

DRAWN BY:

mwatkins

REVISION:

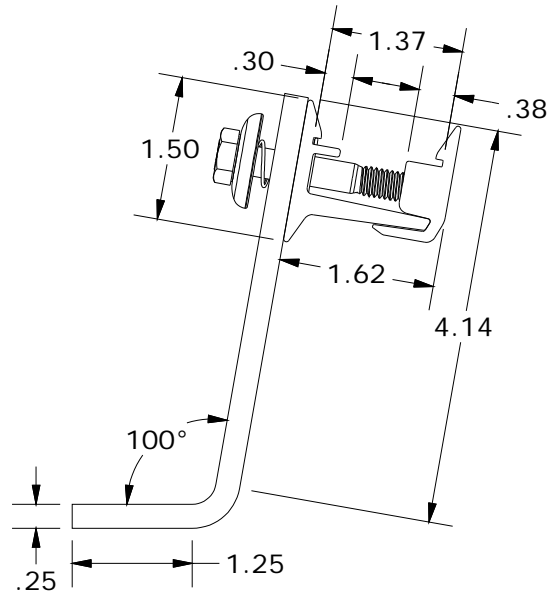
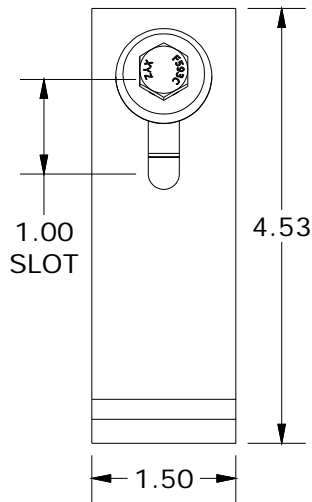
A

SnapNrack™
Solar Mounting Solutions

PART NUMBER(S):

242-03217

THE INFORMATION IN THIS DRAWING IS CONFIDENTIAL AND PROPRIETARY. ANY REPRODUCTION, DISCLOSURE, OR USE THEREOF IS PROHIBITED WITHOUT THE WRITTEN CONSENT OF SUNRUN SOUTH LLC.



ALL DIMENSIONS IN INCHES