

DESCRIPTION:  
**SNAPRACK, ULTRA RAIL SIMPLE TILT BACK LEG  
 10 DEG LANDSCAPE**

DRAWN BY:

mwatkins

**SnapNrack™**  
 Solar Mounting Solutions

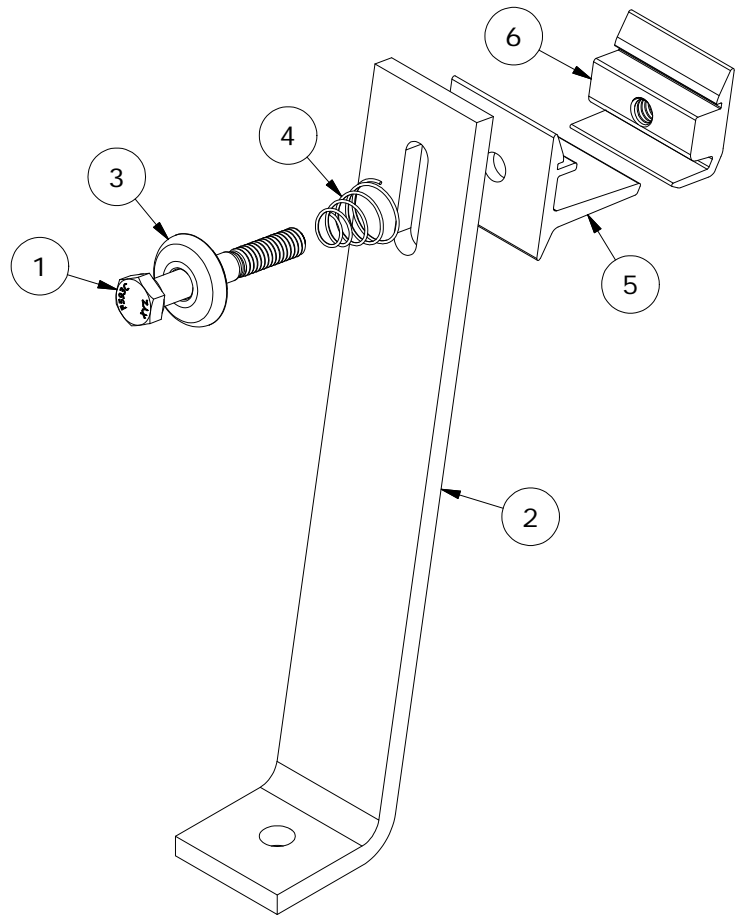
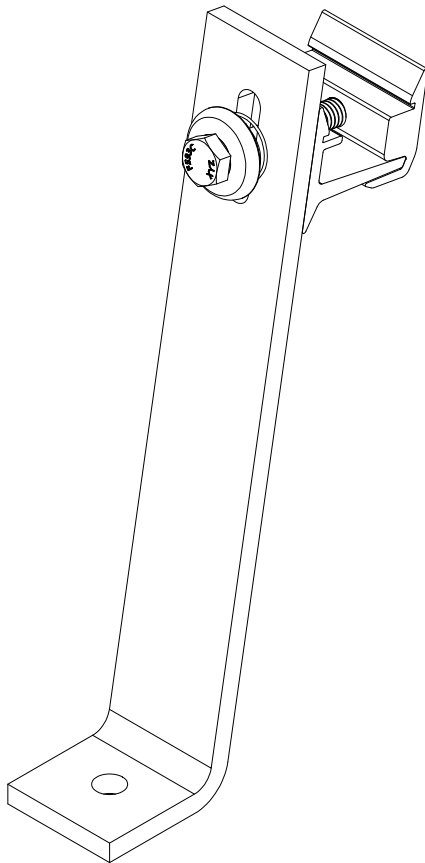
PART NUMBER(S):

242-03216

REVISION:

**A**

THE INFORMATION IN THIS DRAWING IS CONFIDENTIAL AND PROPRIETARY. ANY REPRODUCTION, DISCLOSURE, OR USE THEREOF IS PROHIBITED WITHOUT THE WRITTEN CONSENT OF SUNRUN SOUTH LLC.



**PARTS LIST**

| ITEM | QTY | DESCRIPTION  |
|------|-----|--|
| 1    | 1   | 5/16IN-18 X 2-1/4IN SS HCS BOLT                    |
| 2    | 1   | SNAPRACK, TALL TILT LEG PLUS PRC, 10 DEG LANDSCAPE |
| 3    | 1   | SNAPRACK, ULTRA RAIL MOUNT SPRING CAGE, 6061-T6 AL |
| 4    | 1   | SNAPRACK, ULTRA RAIL MOUNT SPRING, SS              |
| 5    | 1   | SNAPRACK, ULTRA RAIL MOUNT THRU PRC, CLEAR         |
| 6    | 1   | SNAPRACK, ULTRA RAIL MOUNT TAPPED PRC, CLEAR       |

NOTE:  
 ALSO KNOWN AS TILT LEG PLUS

|                       |                                       |          |
|-----------------------|---------------------------------------|----------|
| MATERIALS:            | 6000 SERIES ALUMINUM, STAINLESS STEEL | OPTIONS: |
| DESIGN LOAD (LBS):    | 789 UP, 833 DOWN, 654 SIDE            |          |
| ULTIMATE LOAD (LBS):  | N/A                                   |          |
| TORQUE SPECIFICATION: | 12 LB-FT                              |          |
| CERTIFICATION:        | UL 2703, FILE E359313                 |          |
| WEIGHT (LBS):         | 0.55                                  |          |

DESCRIPTION:  
SNAPNRACK, ULTRA RAIL SIMPLE TILT BACK LEG  
10 DEG LANDSCAPE

DRAWN BY:

mwatkins

REVISION:

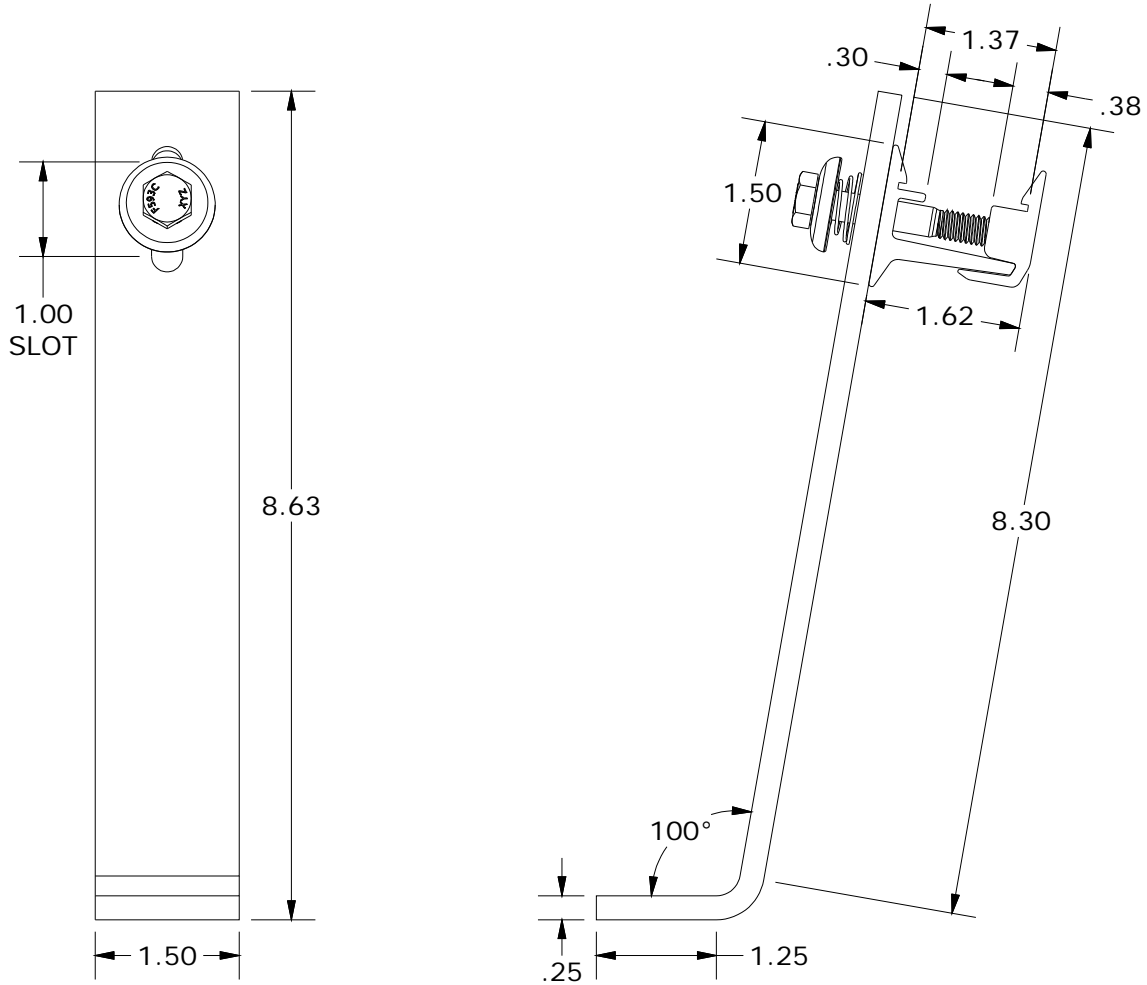
A

SnapNrack™  
Solar Mounting Solutions

PART NUMBER(S):

242-03216

THE INFORMATION IN THIS DRAWING IS CONFIDENTIAL AND PROPRIETARY. ANY REPRODUCTION, DISCLOSURE, OR USE THEREOF IS PROHIBITED WITHOUT THE WRITTEN CONSENT OF SUNRUN SOUTH LLC.



ALL DIMENSIONS IN INCHES