

Ultra Rail Adjustable Tile Hook Install Manual

Required Tools

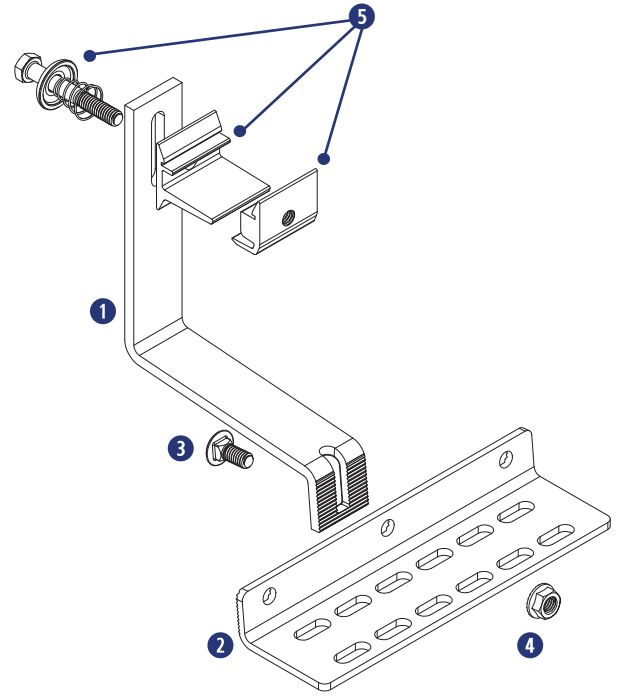
- Hammer or Stud Finder
- Roof Marking Crayon
- Drill with 3/16" Pilot Drill Bit
- Roof Sealant
- Torque Wrench
- Socket Wrench
- 1/2" Socket
- Flat Pry Bar
- Tape Measure

Materials Included

- ① (1) SnapNrack Ultra Rail Adjustable Tile Hook Arm
- ② (1) SnapNrack Ultra Rail Adjustable Tile Hook Base
- ③ (1) 5/16"-18 x 3/4" SS Carriage Bolt
- ④ (1) 5/16"-18 Serrated Flange Nut
- ⑤ (1) SnapNrack Ultra Rail Mounting Hardware

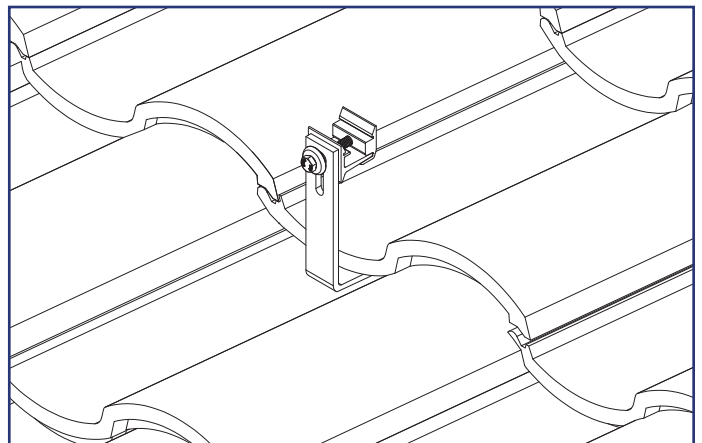
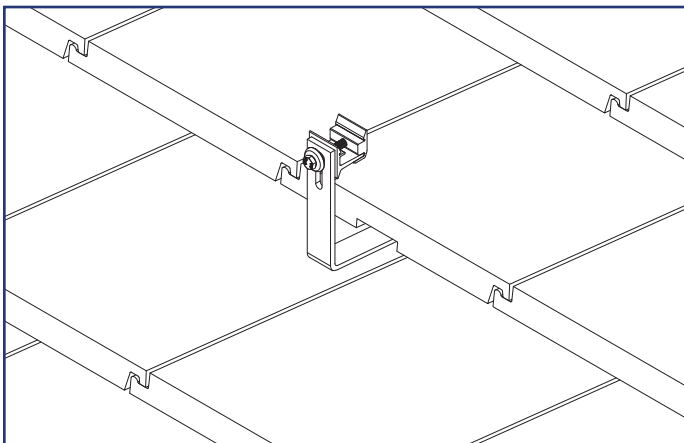
Other Materials Required (Not Shown)

- ① (2) 5/16" Lag Screw
- ② (2) 5/16" Washer
- ③ Flexible Flashing (when required for deck level flashing)



Application Note:

Install SnapNrack Adjustable Tile hooks on Flat, and curved concrete tile roofs.



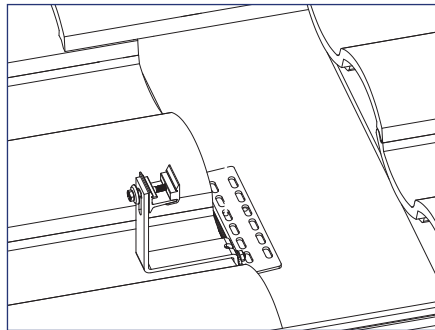
Adjustable Tile Hook

INSTALLATION INSTRUCTIONS

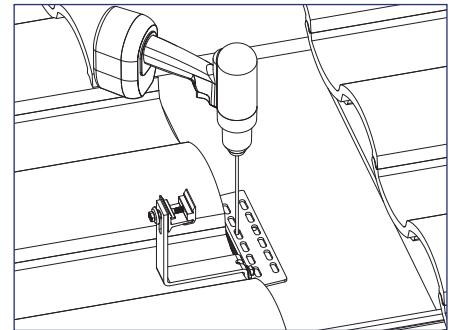
1) Using roof attachment locations drawn during system layout, remove roof tile where the roof attachment will be installed.

Install Note:

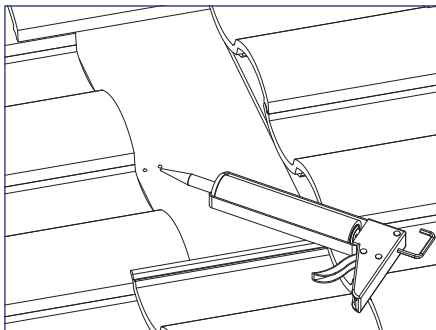
A neighboring tile may need to be removed to attach to the roof framing member and line up hook with the tile.



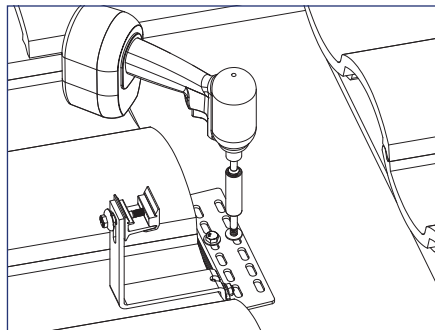
2) Align the base over the rafter so the hook can enter at the valley of a tile (all curved tile). Depending on rafter location, the hook may need to be relocated to one end of the base. Remove the nut, relocate the hook, and bolt to an end position, thread the nut back on the bolt.



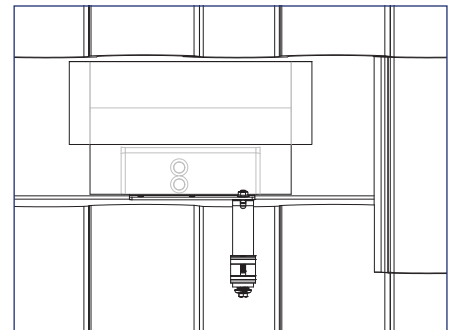
3) Drill two pilot holes through the roofing material into the roof framing member.



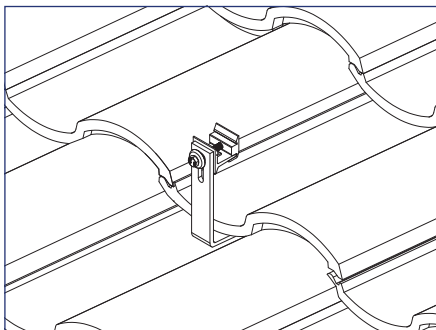
4) Apply roofing sealant to pilot holes and Tile Hook base.



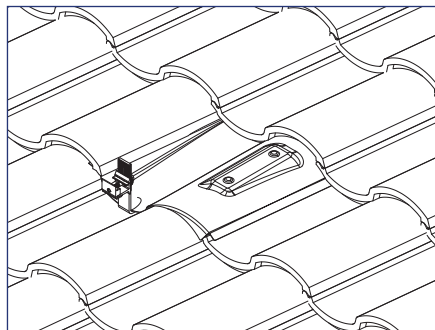
5) Attach the base with (2) 5/16" lag screws, drive lag screws for minimum 2.5" embedment into the roof framing member.



6) **OPTIONAL:** If deck level flashing is required, install flexible flashing per the following instructions.



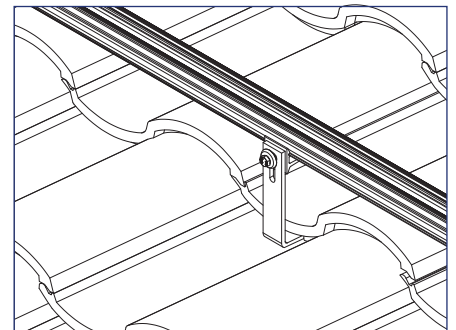
7) Replace tile.



8) **OPTIONAL:** Install Tile Replacement Flashing in place of roof tile over tile hook. Flat, W, and S Tile Replacements are available.

Best Practice:

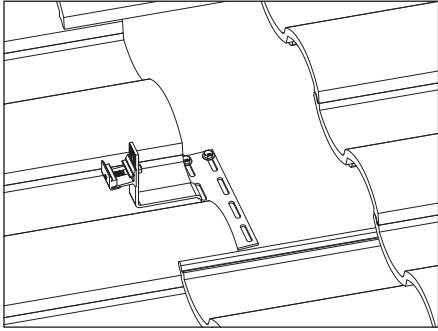
Mold or slightly trim flashing around hook to achieve desired fitment.



9) Install SnapRack Ultra Rail directly to the Ultra Rail Mounting Hardware, level rails & tighten to 12 ft lbs.

Ultra Rail Tile Hook Optional Deck Level Flashing

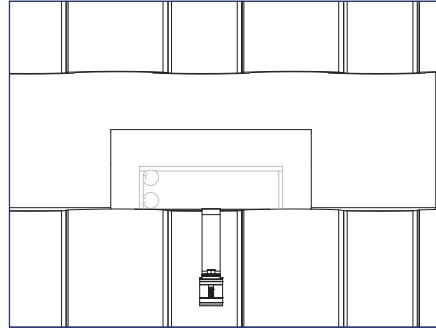
INSTALLATION INSTRUCTIONS



1) Prepare the underlayment surface for adhesion.

Best Practice:

The surface should be dry, clean and free of any dirt, dust or foreign matter that may prevent adhesion. Clean the surface around the Tile Replacement Base with a brush of medium-stiff bristles. If necessary, prime the surface with compatible spray or paint primer.

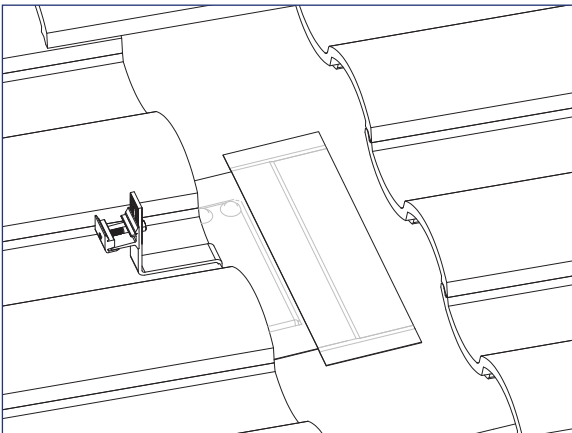


2) Peel off the backing from a 5"x13" strip of flexible flashing. Apply the strip centered laterally over the base and abutted to the Tile Hook arm. Press and roll out any creases or air bubbles with a roller to maximize contact of the flashing adhesive to 100% of the surface and base.



3) Peel off the backing and apply the second 4"x17" strip of flexible flashing along the top edge of the first strip with a 2" lap on either edge, then roll out any creases between the strip and the deck level surface.

NOTE: ALL CUTTING OR MODIFICATION OF THE FLEXIBLE FLASHING IS PROHIBITED



Install Note:

SnapNrack recommends testing underlayment surfaces for adhesion. If adhesion is found to be marginal, then an adhesive primer is recommended to ensure optimal adhesion. To apply spray adhesive primer:

1. Ensure surface is dry, clean, and free of anything that may prevent adhesion
2. Shake can of adhesive before use
3. Apply a uniform coat of adhesive to surface being treated
4. Allow surface to dry for 2 minutes (no more than 10 minutes) before applying flashing
5. Never cover wet adhesive

SnapNrack recommends using Protecto Wrap Protecto Seal 45 waterproofing membrane, or equivalent, as the flexible flashing and lap material.