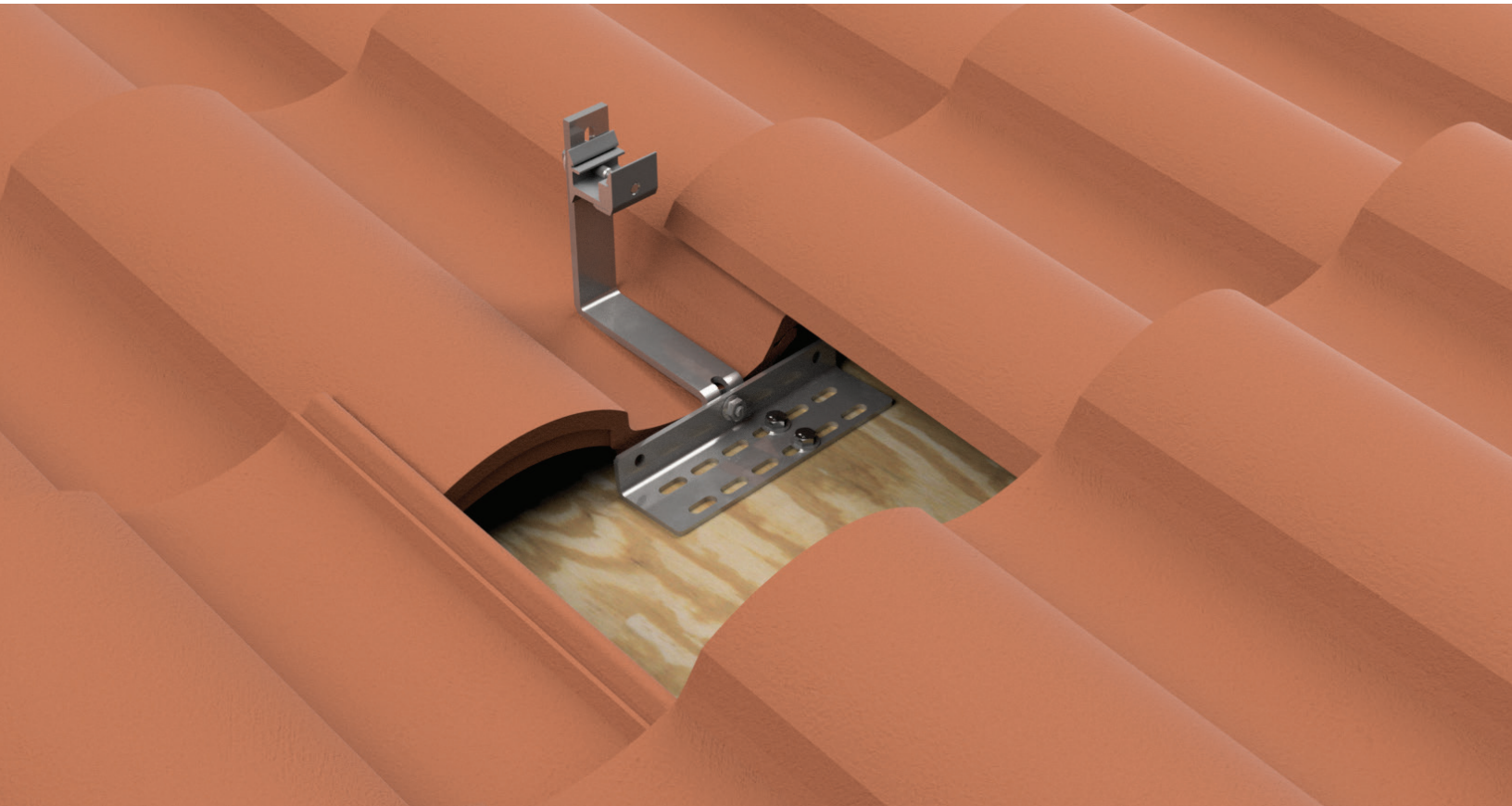


Adjustable Tile Hook



One Tile Hook for All Tile Roofs



Compatible with S/W & Flat Tiles



Strong & rigid design reduces roof attachments



Slotted arm design for maximum flexibility on tile roofs



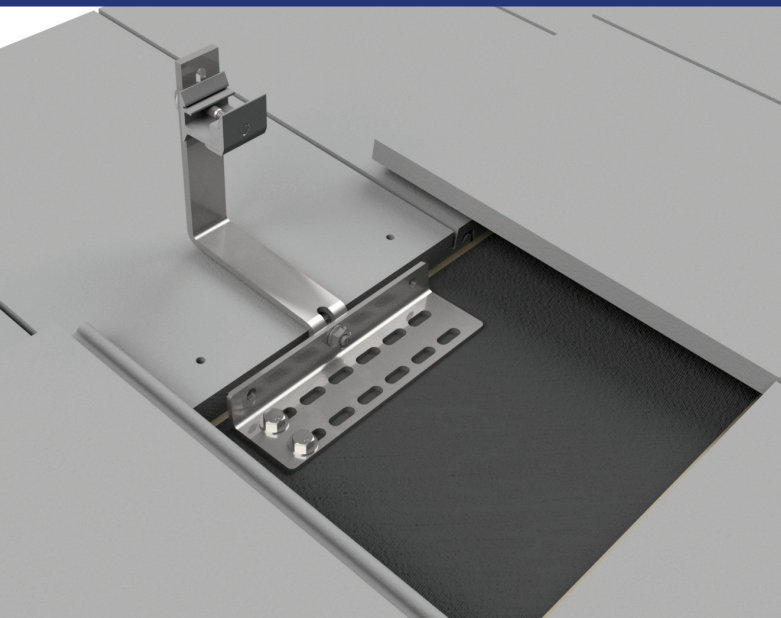
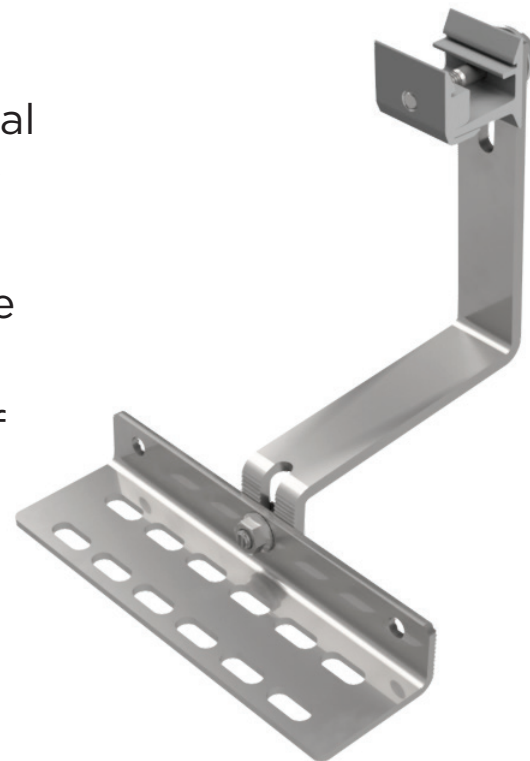
Single Tool installation & snap-in features as with all SnapNrack products

Start Installing Ultra Rail Tile Hooks Today!

SnapNrack Adjustable Tile Hook

Designed with maximum adjustability to accommodate for installation on Flat, S or W shaped tile roofs. These roof hooks are a strong low-profile attachment that can easily adjust to various tile heights, while reducing damage to tiles.

- Slotted attachments provide maximum vertical adjustments for array leveling & compatibility with all tile profiles
- Three hook installation locations with multiple lag screw holes, guarantees locating a rafter while installing the hook through the valley of the tile
- Strong & rigid design reduces roof attachment quantities
- 1 hook for all tile roof profiles



- Ships preassembled with Ultra Rail Mount for snap-in rail connection
- Available with the **Tile Replacement Flashing** to further simplify tile installations

Quality. Innovative. Superior.

SnapNrack Solar Mounting Solutions are engineered to optimize material use and labor resources and improve overall installation quality and safety.