

SpeedSeal™ DeckFoot Training Guide – Standard Composition

Overview

- This training guide outlines best practices for installing the SpeedSeal™ DeckFoot attachment with integrated chemical flashing on composition shingle roofs. This Guide is meant to supplement the Ultra Rail Installation Manual and provide detailed instructions on installation practices that produce high quality systems and maintain construction efficiency. The target audience of this guide is experienced rooftop solar installers with a strong understanding of solar construction best practices, and a basic understanding of the Ultra Rail mounting system.

Required Tools

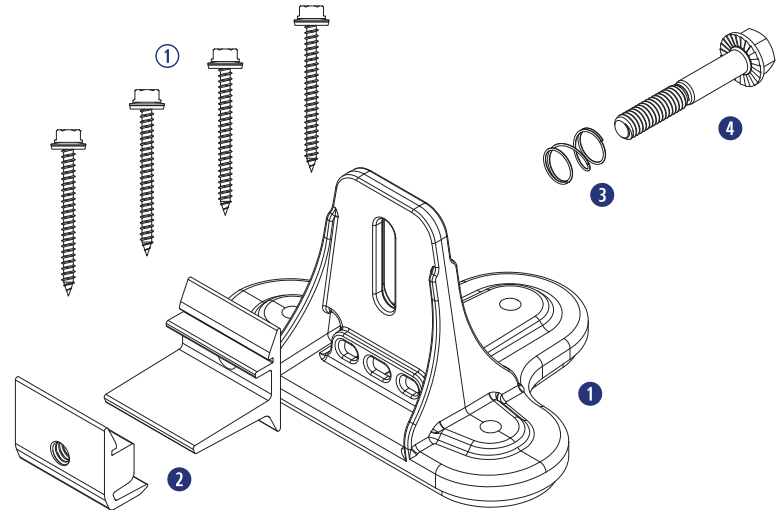
- Caulking Gun
- Drill Driver or Impact Driver
- Hex Socket

Materials Included

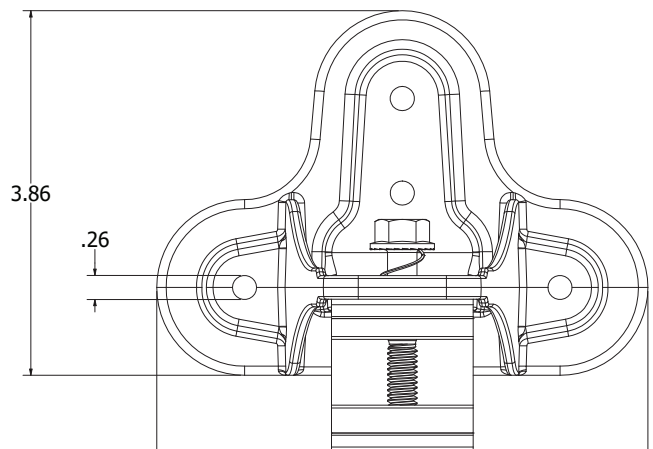
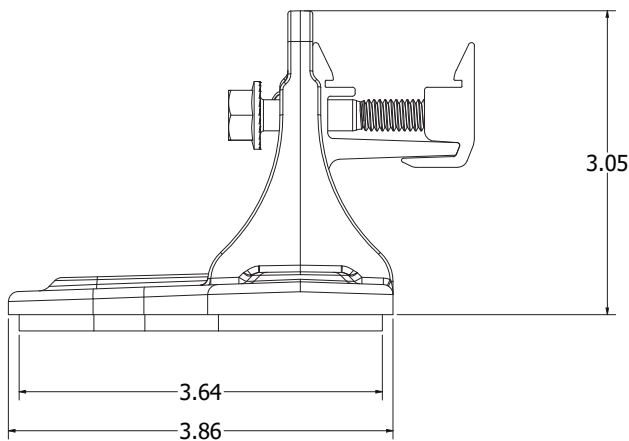
- ① (1) SnapRack SpeedSeal™ DeckFoot
- ② (1) SnapRack Ultra Rail Mount
- ③ (1) SnapRack Ultra Mount Spring
- ④ (1) 5/16"-18 X 2-1/2" SS Flange Bolt

Other Materials Required

- ① (4) SnapRack 1/4" ,or #14 Stainless Steel Lag, or Self-Drilling Screw with EPDM-Backed Washer
- ② Roof Sealant: SnapRack recommends Chem Link sealants:
 - M-1® Universal Adhesive & Sealant
 - DuraLink® 35 Multi-Purpose Sealant
 - DuraLink® 50 Super Adhesion Sealant



Application Note:
Install on composition shingle roofs.



Dimensioned SpeedSeal™ DeckFoot

SpeedSeal™ DeckFoot Installation

- 1 Using roof attachment locations drawn during system layout, check positioning of SpeedSeal™ DeckFoot for proper alignment on one shingle course only.

Best Practice: SpeedSeal™ DeckFoot should never be installed across two shingle courses.

Install Note: Fill any seam in shingles within 4" of a deck screw with sealant prior to installing SpeedSeal™ DeckFoot.



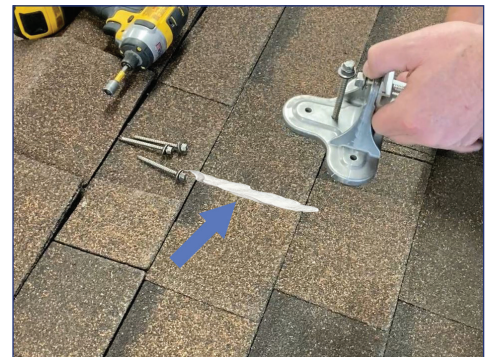
- 2 Fill all four cavities on bottom of SpeedSeal™ DeckFoot created by sealant ring with roof sealant to ensure a water tight seal.

Installation Note: Do not prep out attachments with sealant. Add sealant as mounts are installed to avoid sealant drying before installation.



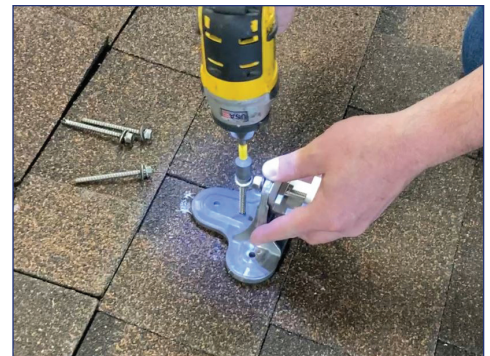
- 3 Fill any seam between composition shingles within 4" of deck screws with sealant before attaching the DeckFoot. Typically, there are seams every 36" along a course of composition shingle

Install Note: Another option is to attach the DeckFoot so the screws are more than 4" from the seam. This may require additional mounts



- 4 Insert first screw through SpeedSeal™ DeckFoot mounting hole and drive into roof.

Best Practice: Remove any dirt or debris from roof surface before SpeedSeal™ DeckFoot is installed.



SpeedSeal™ DeckFoot Installation

- 5 Tighten the screw until the rubber sealing washer is slightly squished out around the metal washer.

Best Practice: To avoid over tightening the screws a drill driver can be used with the clutch set to provide just enough torque to squish the rubber gasket.



- 6 Repeat Steps 3 and 4 for the remaining three screws.

Install Note: Roof sealant should seep out from all three sealant vents located underneath the Ultra Rail Mount, which ensures that a sufficient amount of roof sealant has been applied. If sealant is not seen from all three vents, remove SpeedSeal™ DeckFoot and add more sealant before reinstalling. A drill driver can be used with the clutch set to provide just enough torque to squish the rubber gasket.



- 7 **Optional rafter attachment step:** After locating and marking rafters on the roof use four (4) $\frac{1}{4}$ " x $2\frac{3}{4}$ " SS screws and washers to attach the DeckFoot to rafters and decking by following steps 1-5 above. The two screws in the center of the DeckFoot must be embedded into the rafter.

