

DESCRIPTION:

SNAPNRACK, ULTRA RAIL END CLAMP

DRAWN BY:

mwatkins

SnapNrack™  
Solar Mounting Solutions

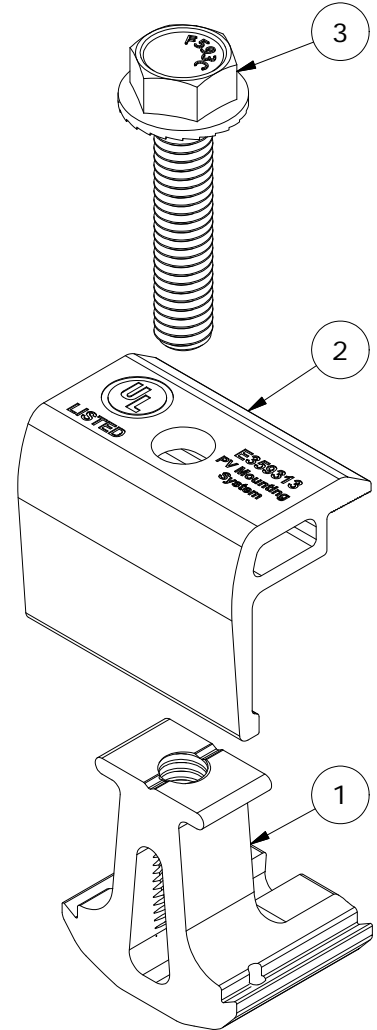
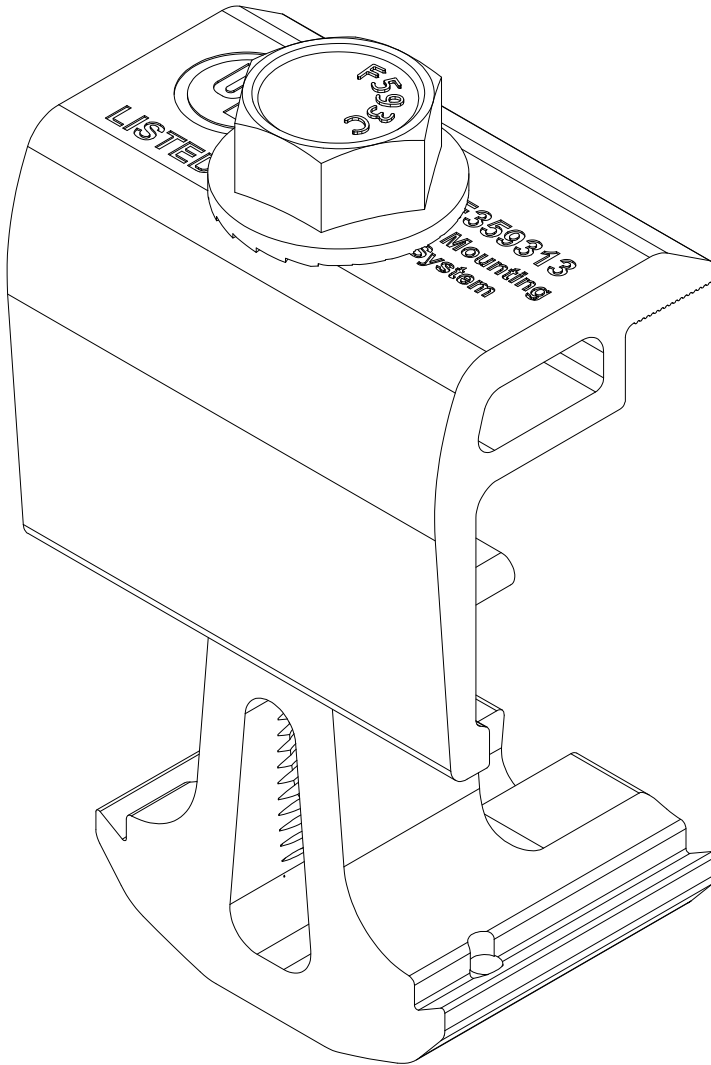
PART NUMBER(S):

242-02072, 242-02073

REVISION:

A

THE INFORMATION IN THIS DRAWING IS CONFIDENTIAL AND PROPRIETARY. ANY REPRODUCTION, DISCLOSURE, OR USE THEREOF IS PROHIBITED WITHOUT THE WRITTEN CONSENT OF SUNRUN SOUTH LLC.



PARTS LIST

ITEM	QTY	DESCRIPTION
1	1	SNAPNRACK, ULTRA RAIL END CLAMP, BASE
2	1	SNAPNRACK, ULTRA RAIL END CLAMP, TOP
3	1	BOLT, FLANGE SERRATED, 5/16IN-18 X 1-1/2IN, SS

NOTE:  
CLAMPS FIT 30-46MM THICK MODULE FRAMES

MATERIALS:	6000 SERIES ALUMINUM, STAINLESS STEEL	OPTIONS:
DESIGN LOAD (LBS):	520	CLEAR / BLACK ANODIZED
ULTIMATE LOAD (LBS):	2000	
TORQUE SPECIFICATION:	16 LB-FT	
CERTIFICATION:	UL 2703, FILE E359313	
WEIGHT (LBS):	0.16	

DESCRIPTION:

SNAPNRACK, ULTRA RAIL END CLAMP

DRAWN BY:

mwatkins

REVISION:

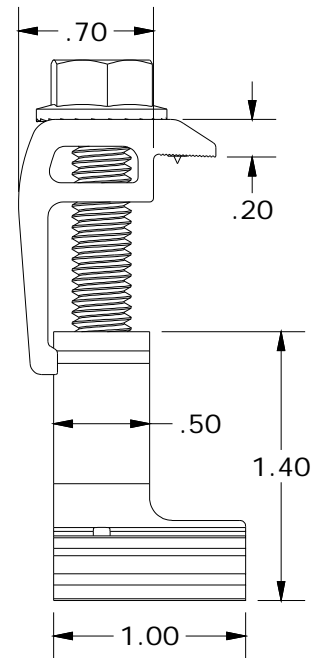
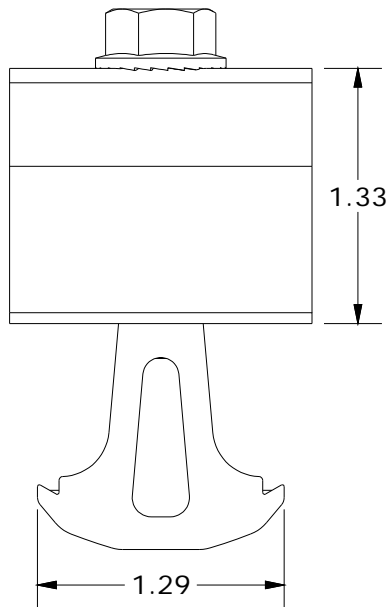
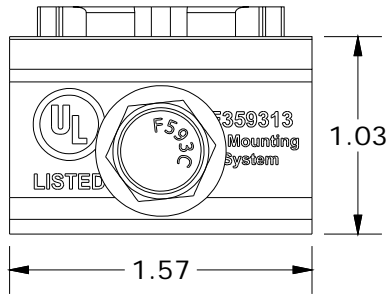
A

SnapNrack™  
Solar Mounting Solutions

PART NUMBER(S):

242-02072, 242-02073

THE INFORMATION IN THIS DRAWING IS CONFIDENTIAL AND PROPRIETARY. ANY REPRODUCTION, DISCLOSURE, OR USE THEREOF IS PROHIBITED WITHOUT THE WRITTEN CONSENT OF SUNRUN SOUTH LLC.



ALL DIMENSIONS IN INCHES