

DESCRIPTION:
SNAPRACK, UR-60 SPLICE

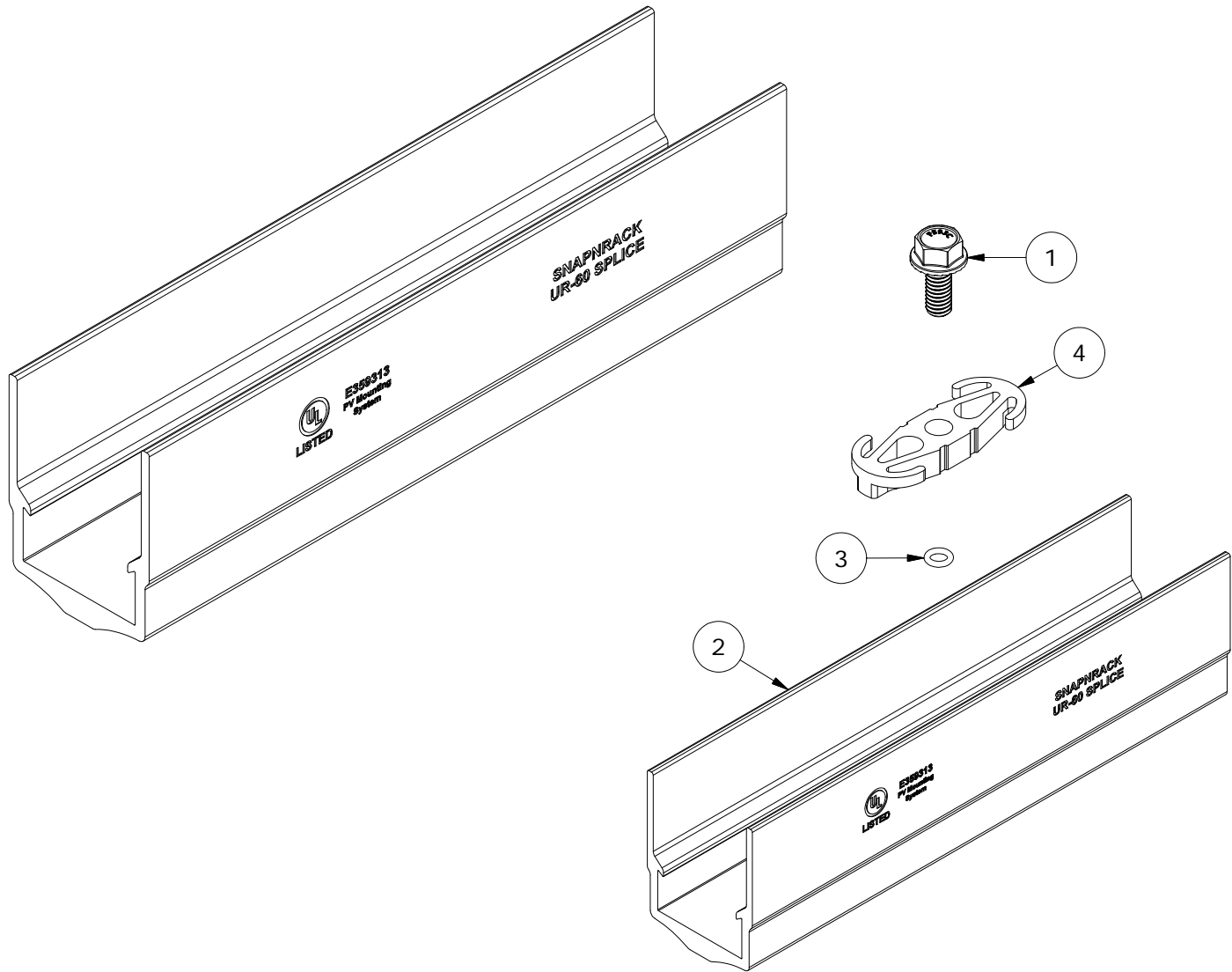
PART NUMBER(S):
242-01270, 242-01271

DRAWN BY:
 mwatkins

REVISION:
B

SnapNrack™
 Solar Mounting Solutions

THE INFORMATION IN THIS DRAWING IS CONFIDENTIAL AND PROPRIETARY. ANY REPRODUCTION, DISCLOSURE, OR USE THEREOF IS PROHIBITED WITHOUT THE WRITTEN CONSENT OF SUNRUN SOUTH LLC.



PARTS LIST		
ITEM	QTY	DESCRIPTION
1	1	BOLT, FLANGE, 5/16IN-18 X 3/4IN, CLEAR, SS
2	1	SNAPRACK, UR-60 SPLICE, SLEEVE, CLEAR / BLACK
3	1	SNAPRACK, O-RING
4	1	SNAPRACK, UR-60 SPLICE, BONDING BRIDGE

MATERIALS:	6000 SERIES ALUMINUM, STAINLESS STEEL	OPTIONS:
DESIGN LOAD (LBS):	FULL UR-60 RAIL CAPACITY	CLEAR / BLACK ANODIZED
ULTIMATE LOAD (LBS):	N/A	
TORQUE SPECIFICATION:	12 LB-FT	
CERTIFICATION:	UL 2703, FILE E359313	
WEIGHT (LBS):	0.71	

DESCRIPTION:

SNAPNRACK, UR-60 SPLICE

DRAWN BY:

mwatkins

REVISION:

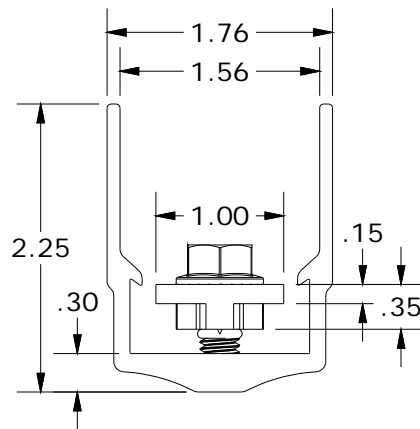
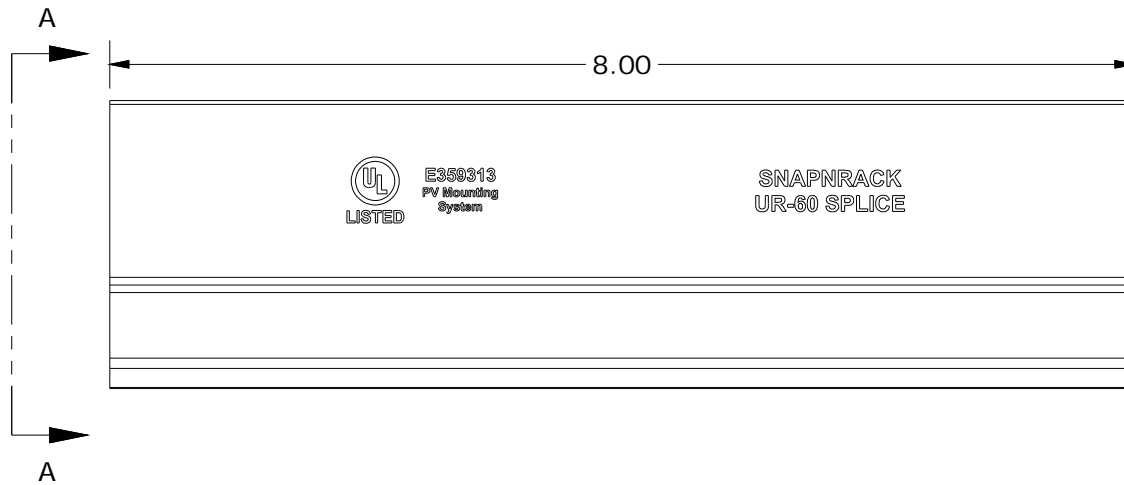
B

SnapNrack™
Solar Mounting Solutions

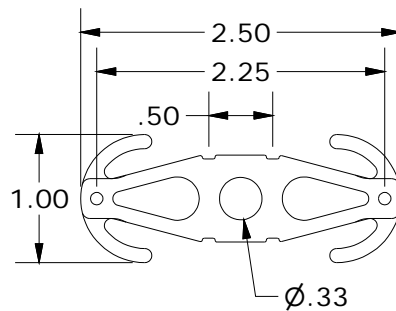
PART NUMBER(S):

242-01270, 242-01271

THE INFORMATION IN THIS DRAWING IS CONFIDENTIAL AND PROPRIETARY. ANY REPRODUCTION, DISCLOSURE, OR USE THEREOF IS PROHIBITED WITHOUT THE WRITTEN CONSENT OF SUNRUN SOUTH LLC.



VIEW A-A
SCALE 1 / 1.5



ALL DIMENSIONS IN INCHES