

DESCRIPTION:  
**SNAPNRACK, ULTRA RAIL TILE HOOK WS**

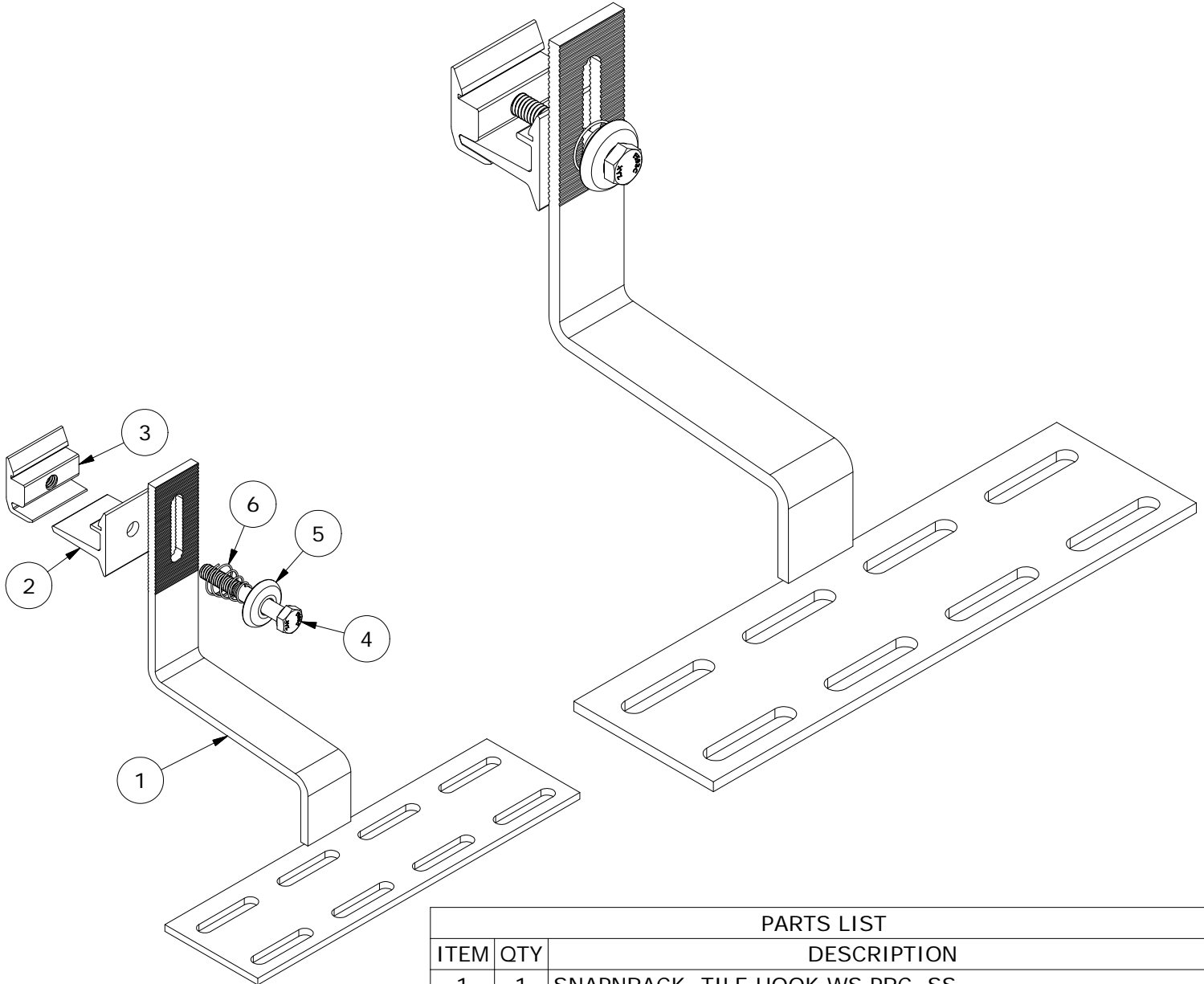
PART NUMBER(S):  
**242-01248**

DRAWN BY:  
 mwatkins

REVISION:  
**A**

**SnapNrack™**  
 Solar Mounting Solutions

THE INFORMATION IN THIS DRAWING IS CONFIDENTIAL AND PROPRIETARY. ANY REPRODUCTION, DISCLOSURE, OR USE THEREOF IS PROHIBITED WITHOUT THE WRITTEN CONSENT OF SUNRUN SOUTH LLC.



PARTS LIST		
ITEM	QTY	DESCRIPTION
1	1	SNAPNRACK, TILE HOOK WS PRC, SS
2	1	SNAPNRACK, ULTRA RAIL MOUNT THRU PRC, CLEAR
3	1	SNAPNRACK, ULTRA RAIL MOUNT TAPPED PRC, CLEAR
4	1	BOLT, FLANGE, SERRATED, 5/16IN-18 X 1-3/4IN, SS
5	1	SNAPNRACK, ULTRA RAIL MOUNT SPRING CAGE, 6061-T6 AL
6	1	SNAPNRACK, ULTRA RAIL MOUNT SPRING, SS

MATERIALS:	6000 SERIES ALUMINUM, STAINLESS STEEL	OPTIONS:
DESIGN LOAD (LBS):	820 UP, 500 DOWN, 430 SIDE	
ULTIMATE LOAD (LBS):	2050 UP, 1580 DOWN, 1289 SIDE	
TORQUE SPECIFICATION:	12 LB-FT	
CERTIFICATION:	UL 2703, FILE E359313	
WEIGHT (LBS):	1.69	

DESCRIPTION:

SNAPNRACK, ULTRA RAIL TILE HOOK WS

DRAWN BY:

mwatkins

REVISION:

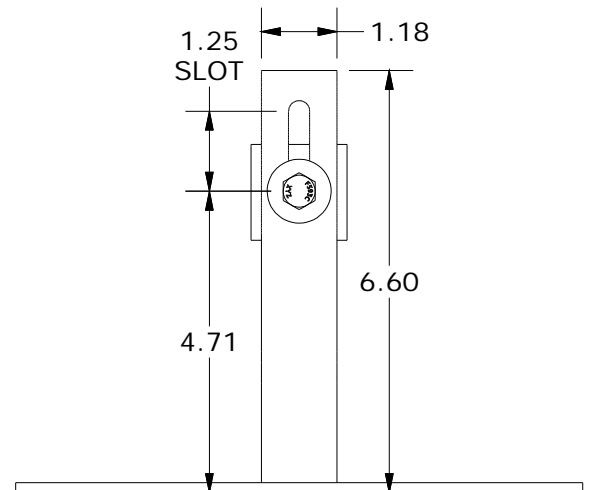
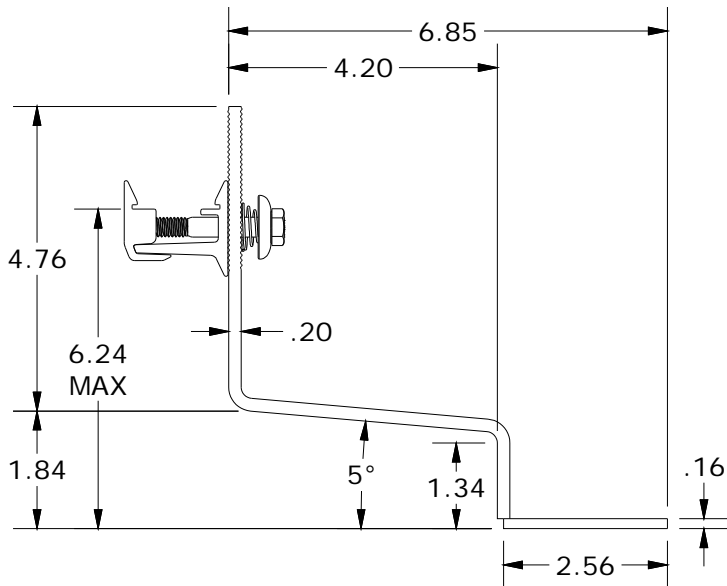
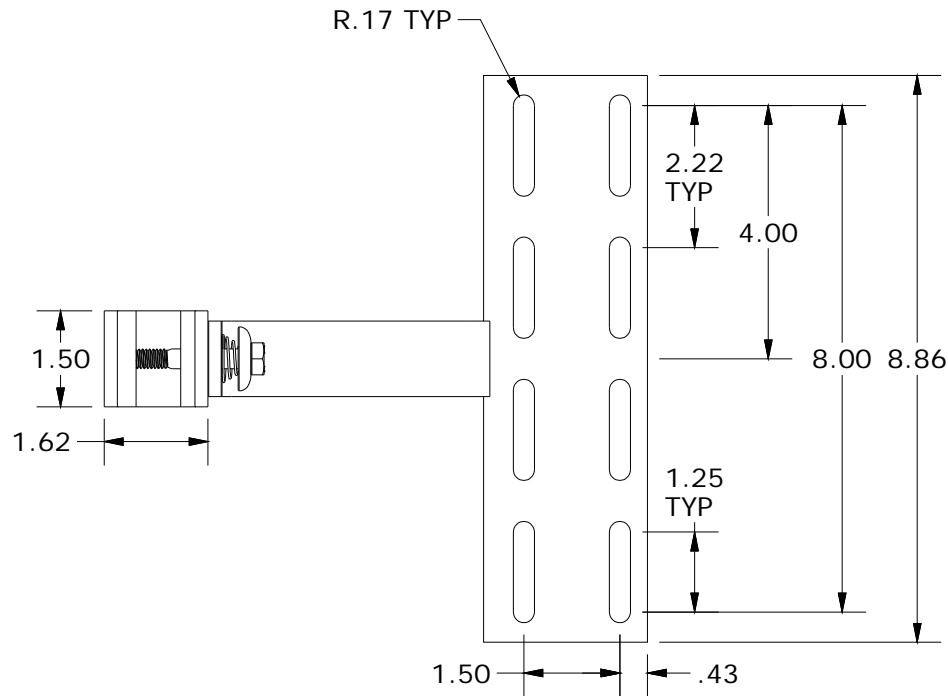
A

SnapNrack™  
Solar Mounting Solutions

PART NUMBER(S):

242-01248

THE INFORMATION IN THIS DRAWING IS CONFIDENTIAL AND PROPRIETARY. ANY REPRODUCTION, DISCLOSURE, OR USE THEREOF IS PROHIBITED WITHOUT THE WRITTEN CONSENT OF SUNRUN SOUTH LLC.



ALL DIMENSIONS IN INCHES